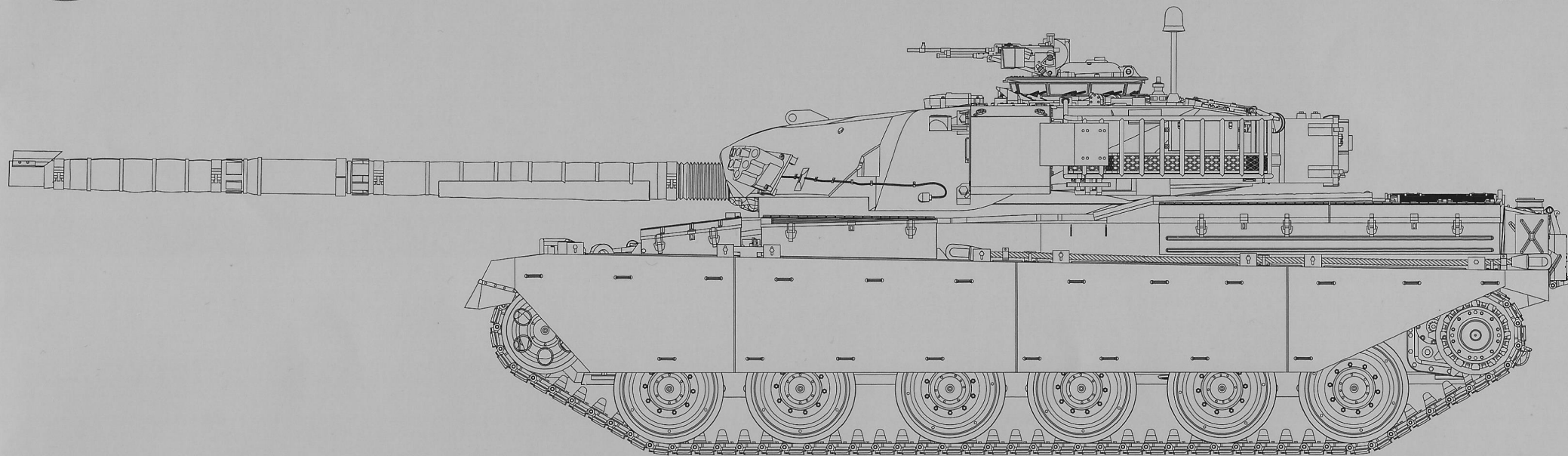


BRITISH MAIN BATTLE TANK

CHIEFTAIN MK.10



The Chieftain had been the most powerful Tank in NATO since its introduction to service in 1966, and had been upgraded throughout its service life with improved ammunition, fire control systems (including a laser range-finding sight & deleting the ranging gun), new radios (Clansman) and many attempts to fix the flawed L60 engine.

The Chieftain's armour protection had not been improved, as it was considered proof against any existing Soviet weapon. However, by the early 1980's it was recognised that with new Soviet tank guns and ammunition, developed directly to counter the Chieftain's long range and massive frontal armour, that an upgrade to the Chieftain's survivability was required. Intelligence gathered from battles of the Iran-Iraq war confirmed that the 125mm 2A46 gun of the T-72 could penetrate the frontal armour of a Chieftain at 1km.

An armoured upgrade program was developed in order to ensure that the Chieftain could survive hits from these new weapons at normal combat ranges, and this was introduced as the Stillbrew Armour Package. Stillbrew added armour to the frontal arc of the turret and had extra armour blocks at each side of the driver's position to protect the turret ring. The new armour radically changed the Chieftain's profile, making it look even more aggressive and much more modern than it actually was. Almost the entire Chieftain fleet was retrofitted with the armour package during base workshop overhauls, and any Chieftain that received it was classified as a Chieftain Mk.10.

Live firing tests with the T-72 and T-80 after the end of the cold war validated the design, as it was proof against penetration at all but point blank range. Rumours about the composition of the armour have persisted to the present day, with some saying it was the first Chobham armour, when in fact it is nothing more than steel boxes filled with slabs of rubber, fronted by a thick piece of armour plate, and then skimmed with concrete.

The Mk.10 was used by all the regiments of the Armoured Corps of the British Army, but was phased out as those regiments converted to the Chieftain Mk.11 or Challenger 1 and returned to war reserve. A small number of Mk.10's did continue to serve in BAOR with the Berlin Brigade, and these Mk.10's became some of the most photographed tanks of any Nation due to the radical and very effective Urban camouflage used on the Armoured vehicles of the Berlin Brigade. The Chieftain Mk.10's remained in Berlin to the very end of the Cold War, as it was assumed the Berlin Brigade would be rapidly overwhelmed in a Soviet attack on NATO, and the new technologies of Chobham armour and TOGs fitted to more the modern British tanks would have been at risk of being captured by the Soviets.

READ BEFORE ASSEMBLY

CAUTION

- Read carefully and fully understand the instructions before commencing assembly. A supervising adult should also read the instructions if a child assembles the model.
- When assembling this kit, tools including knives used. Extra care should be taken to avoid personal injury.
- Keep out of reach of small children. Children must not be allowed to suck any part, or pull vinyl bag over their heads.



Optional



Instant Glue
for Metal



Apply Decal



Do Not Cement



Drill



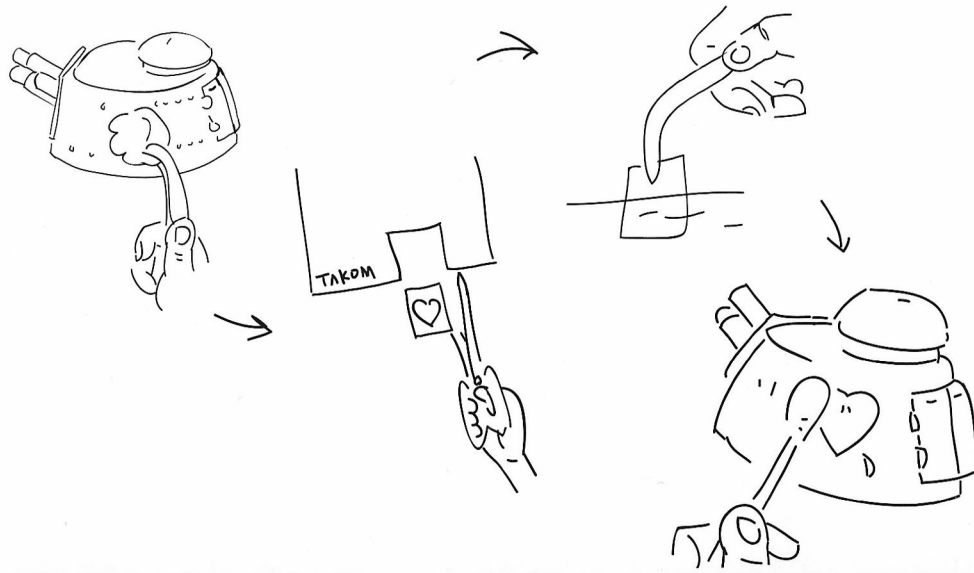
Be Careful

PAINTS REQUIRED

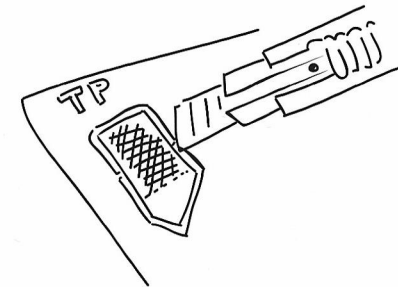
Color info and profiles by Mig Jimenez

APPLYING DECALS

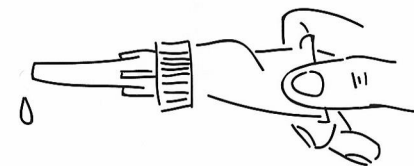
1. Clean the model surface with a wet cloth.
2. Cut out each decal design from sheet, and dip it in tepid water for 15~20 sec.
3. Hold the backing sheet edge and slide decal onto the model.
4. Move decal into position by wetting decal with finger.
5. Press decal gently down with a soft cloth until excess water and air bubbles are gone.



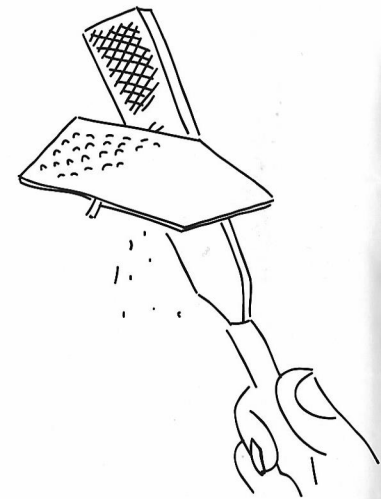
REMOVING PE



Be careful not to hurt when removing PE parts.

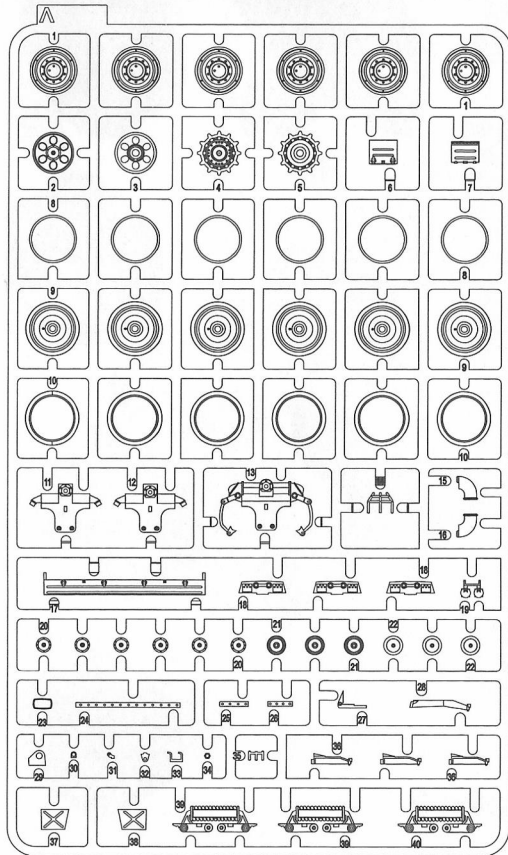


Secure using instant glue (not included).

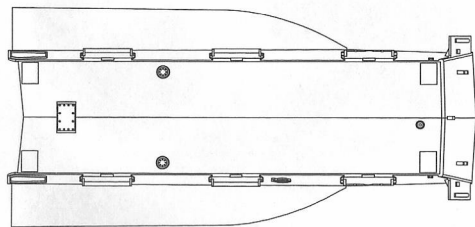


Finish using file.

PARTS



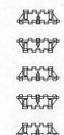
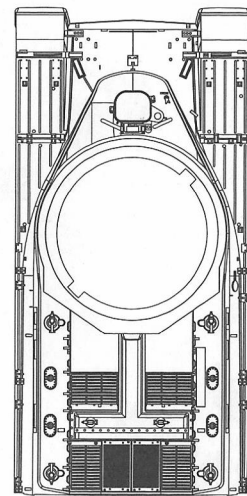
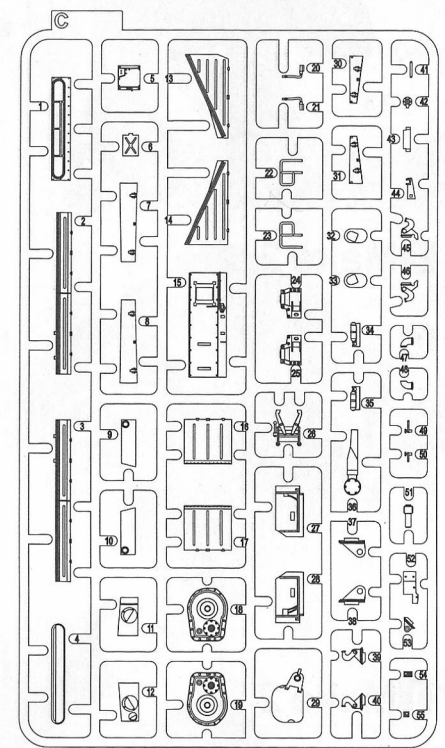
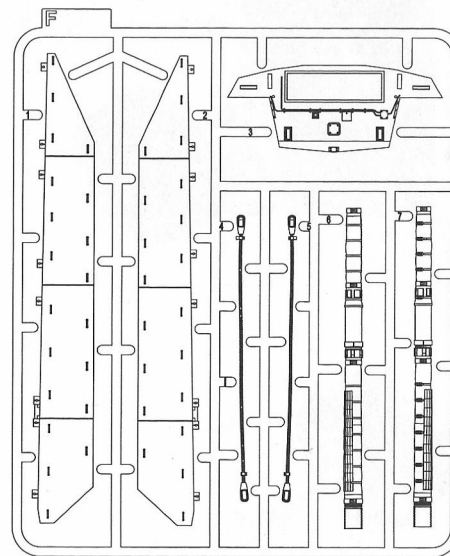
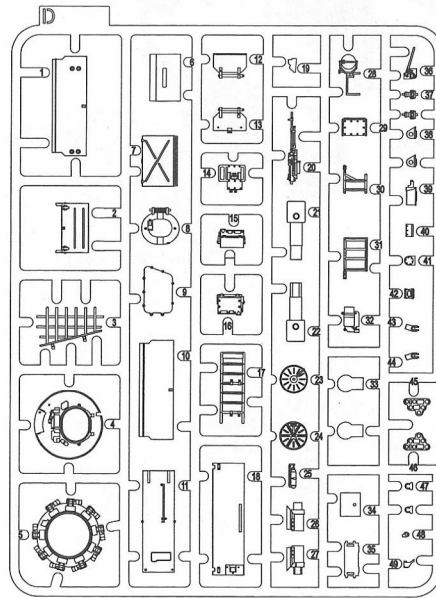
X2



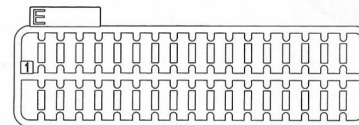
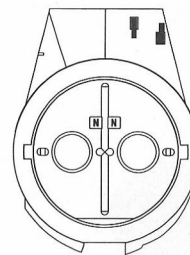
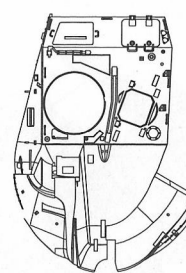
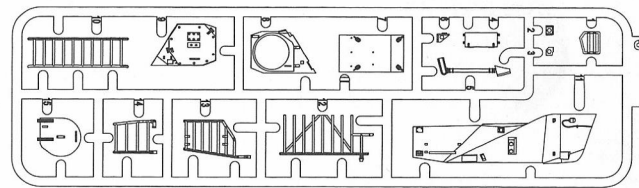
● Poly cap
X2



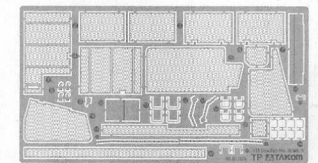
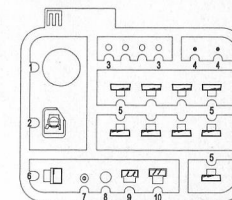
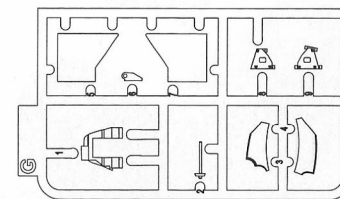
Gun Mask



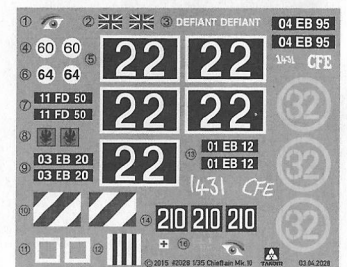
X200



X6

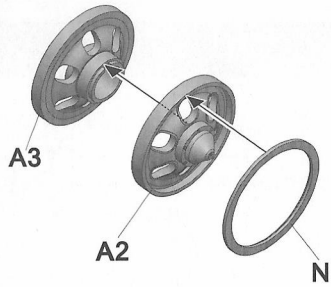


PE

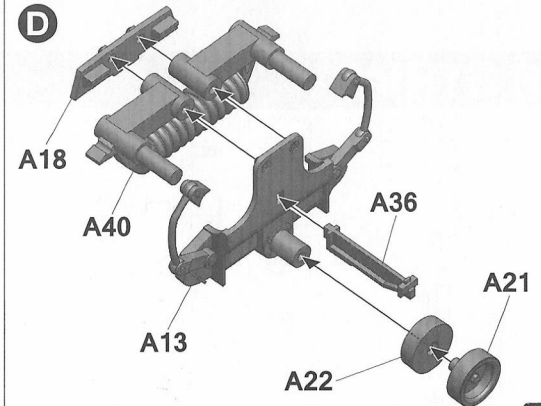
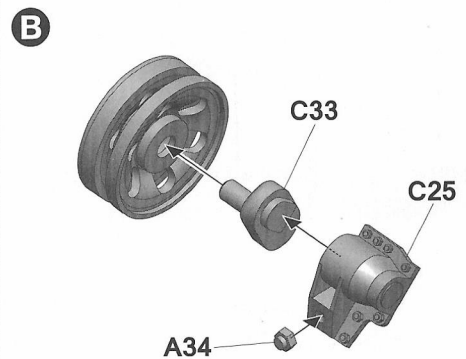
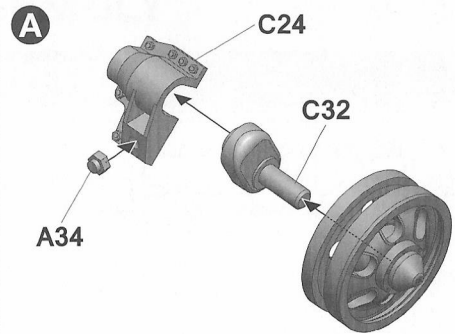


Decal

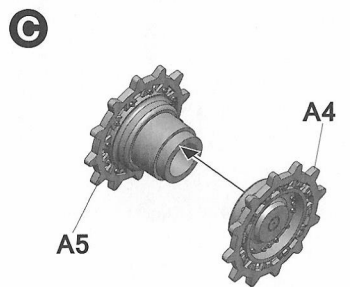
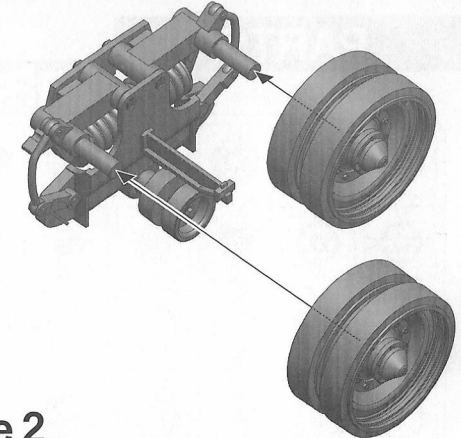
1



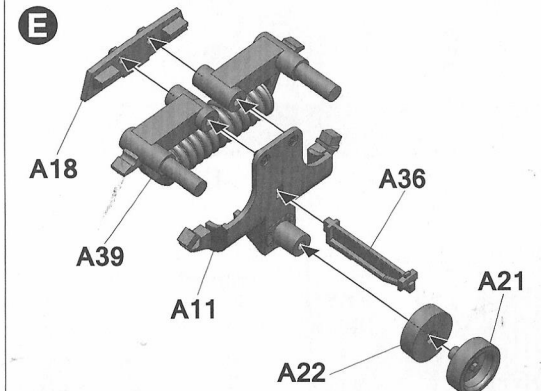
Make 2



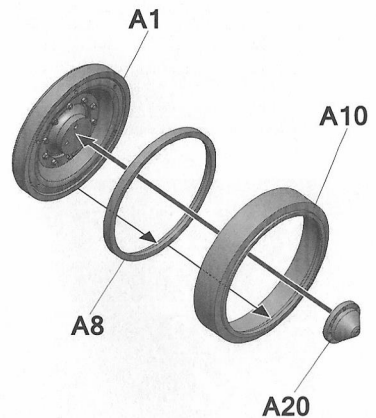
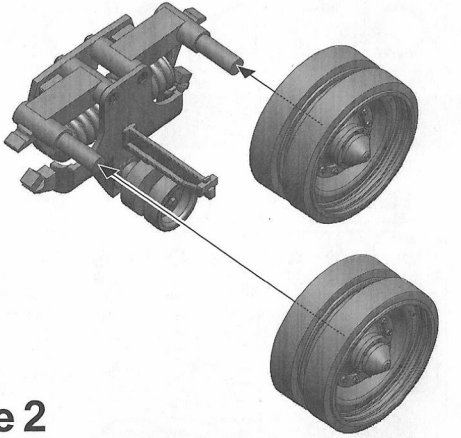
Make 2



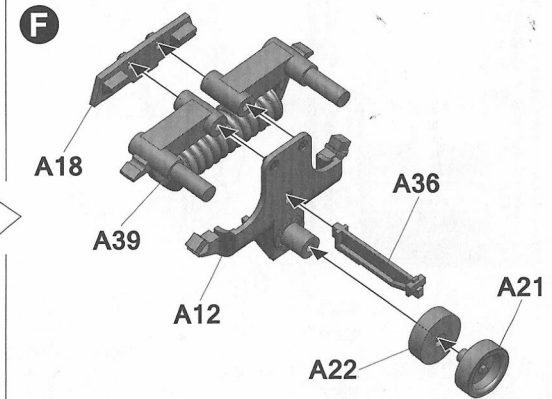
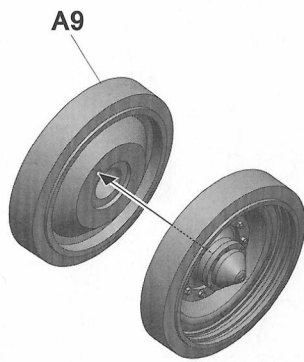
Make 2



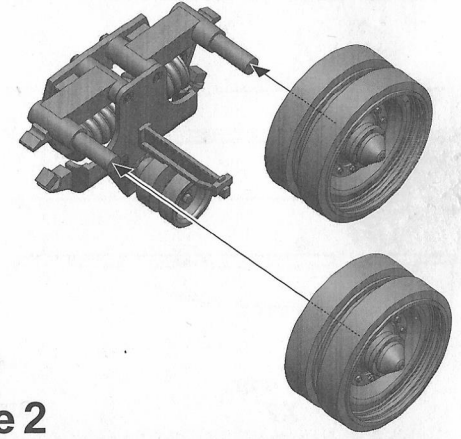
Make 2



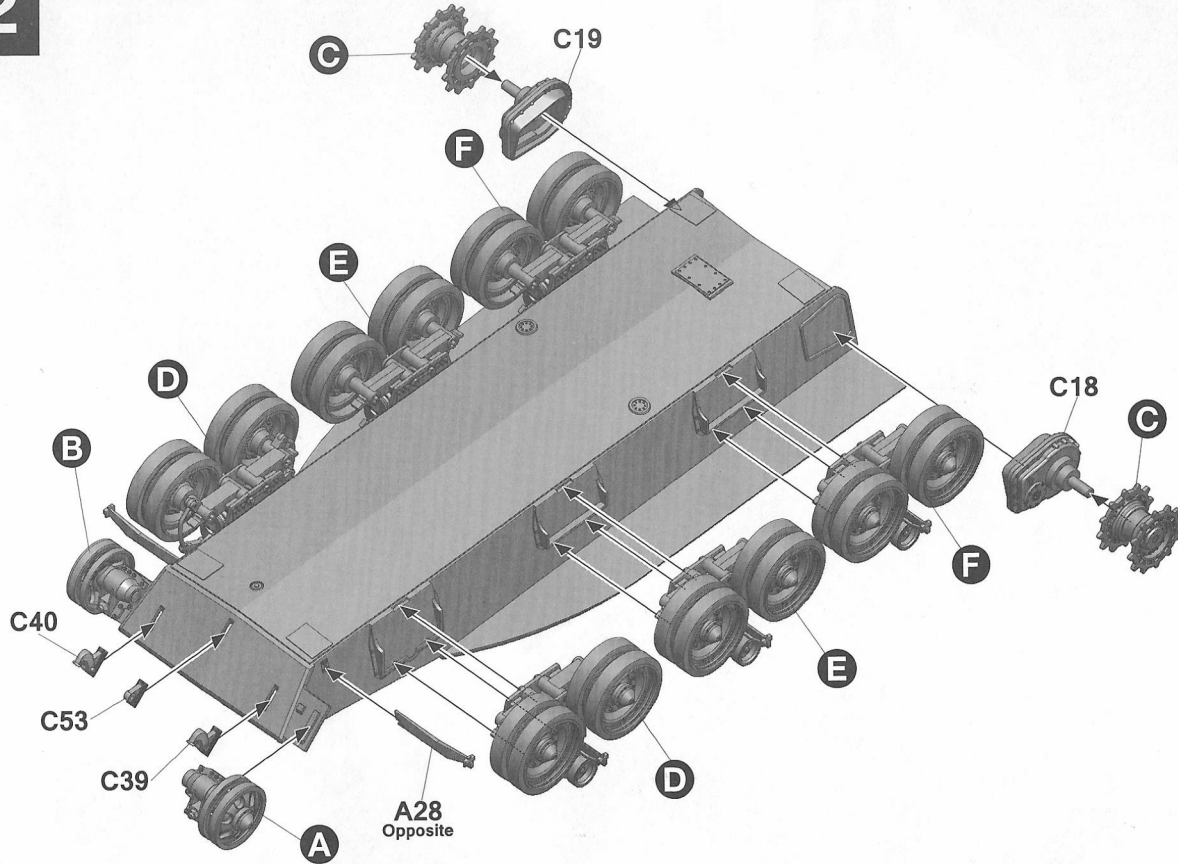
Make 12



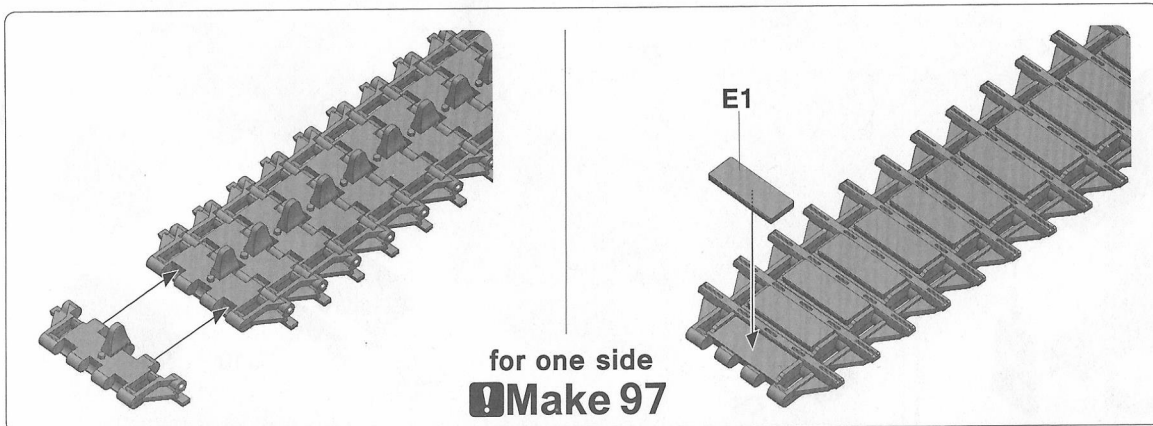
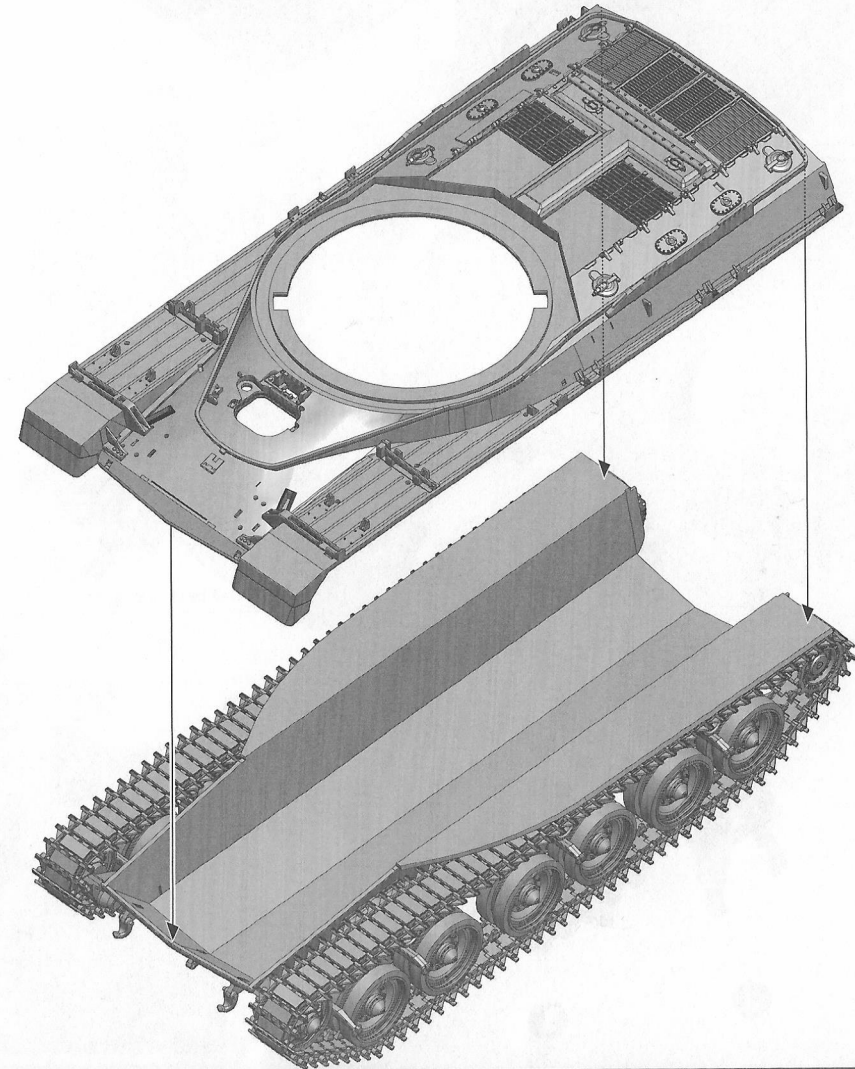
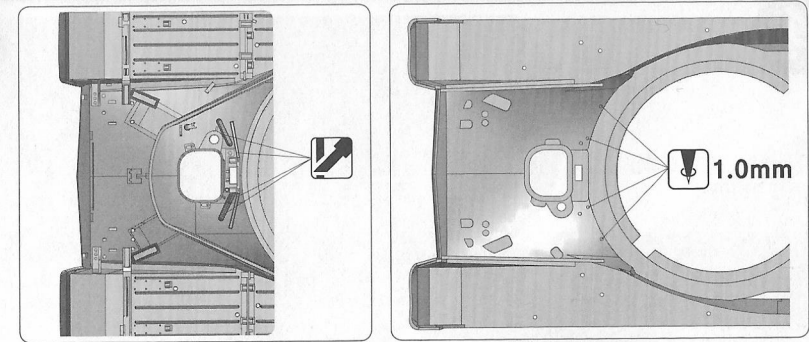
Make 2



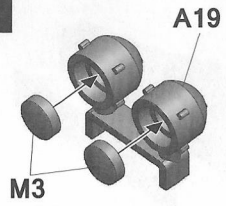
2



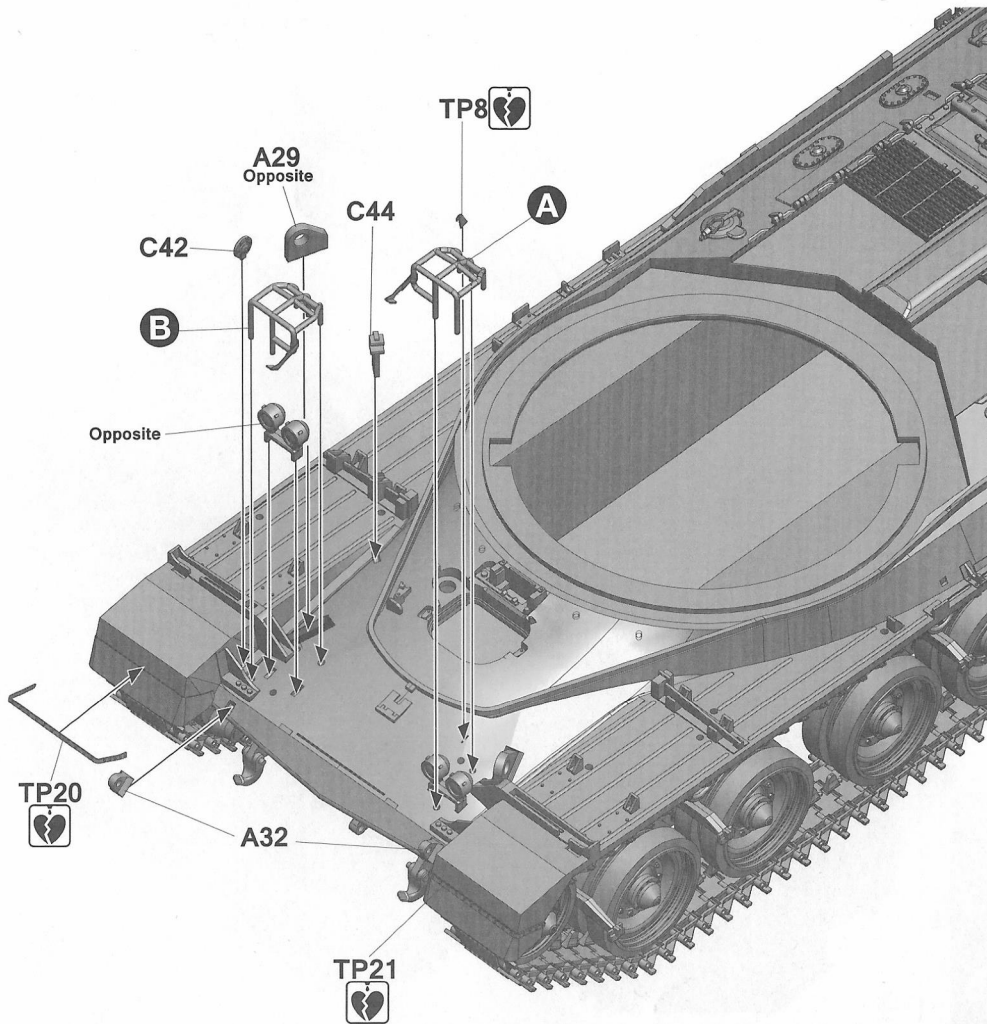
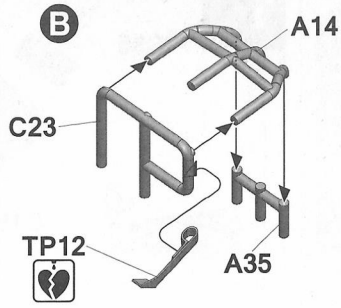
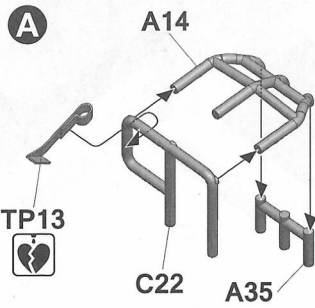
3



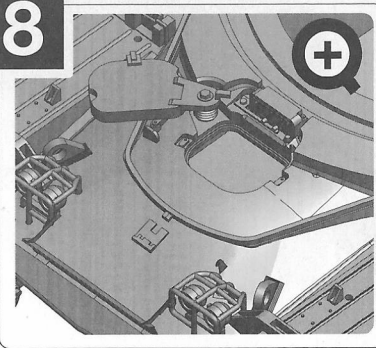
7



Make 2

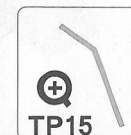
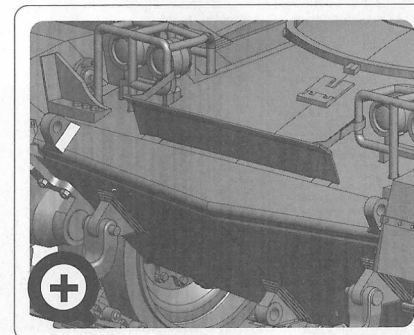
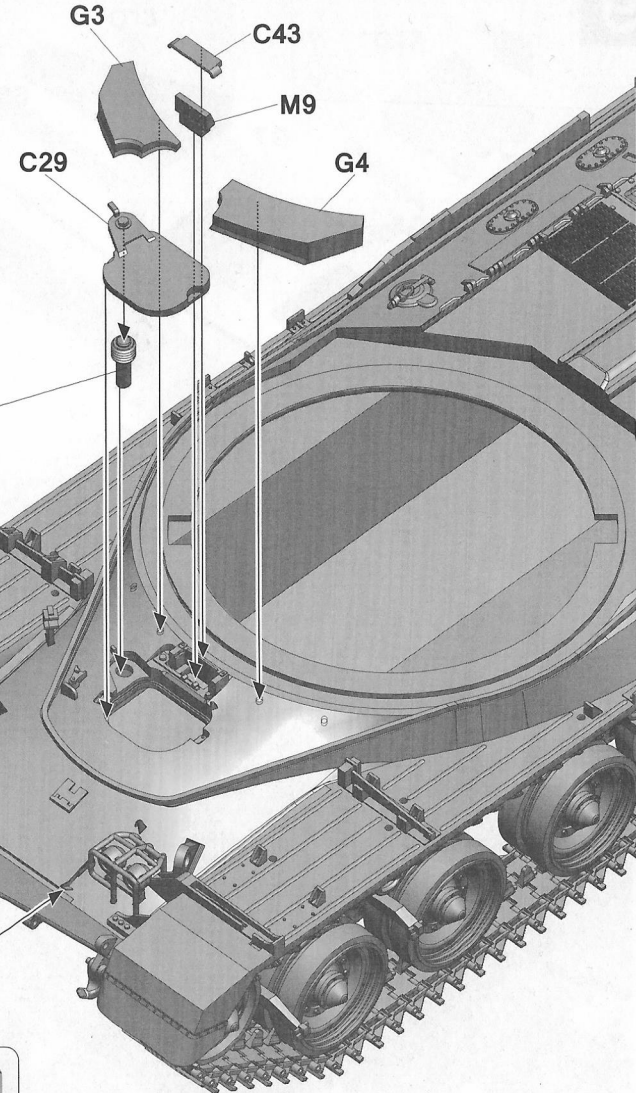


8

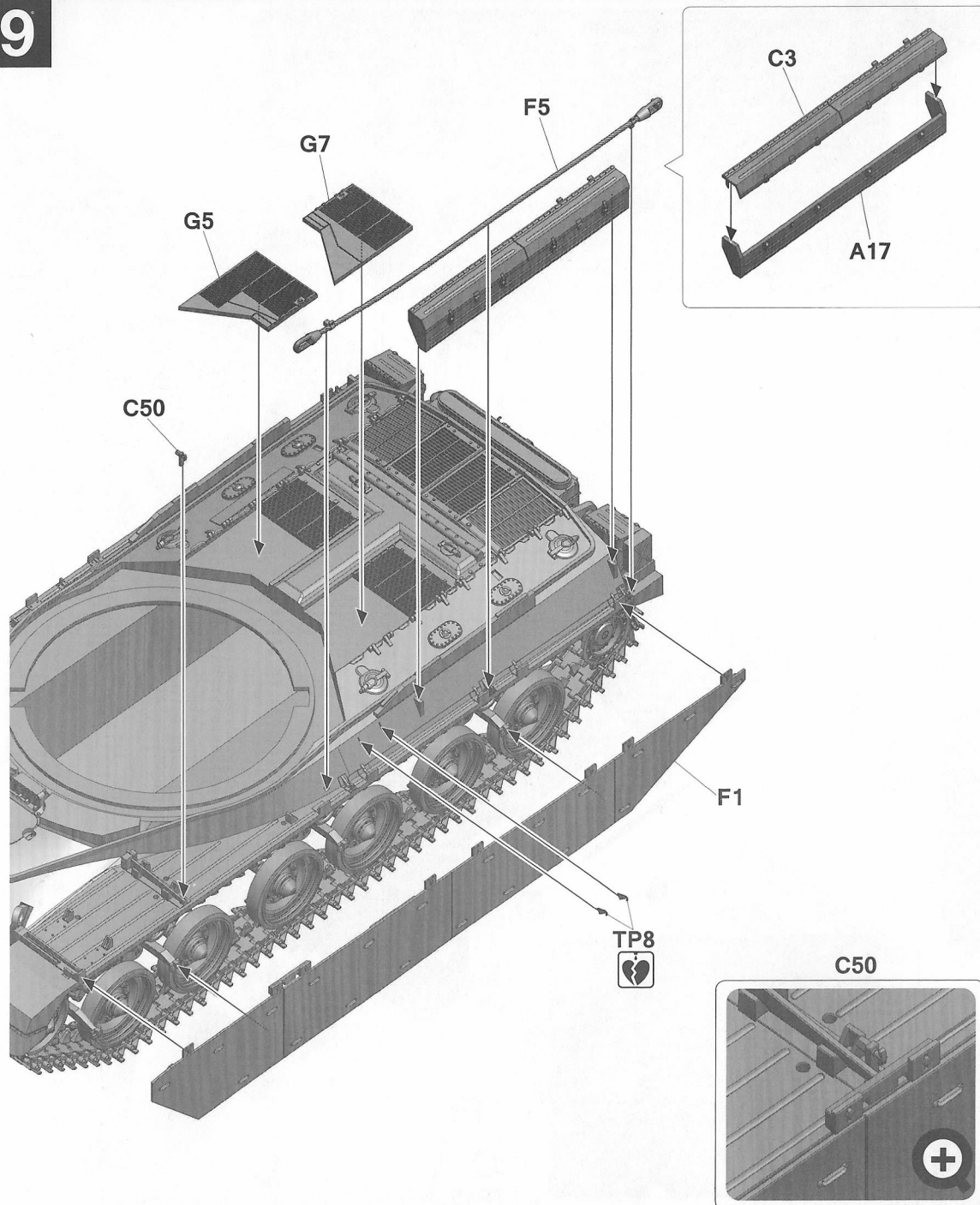


Open

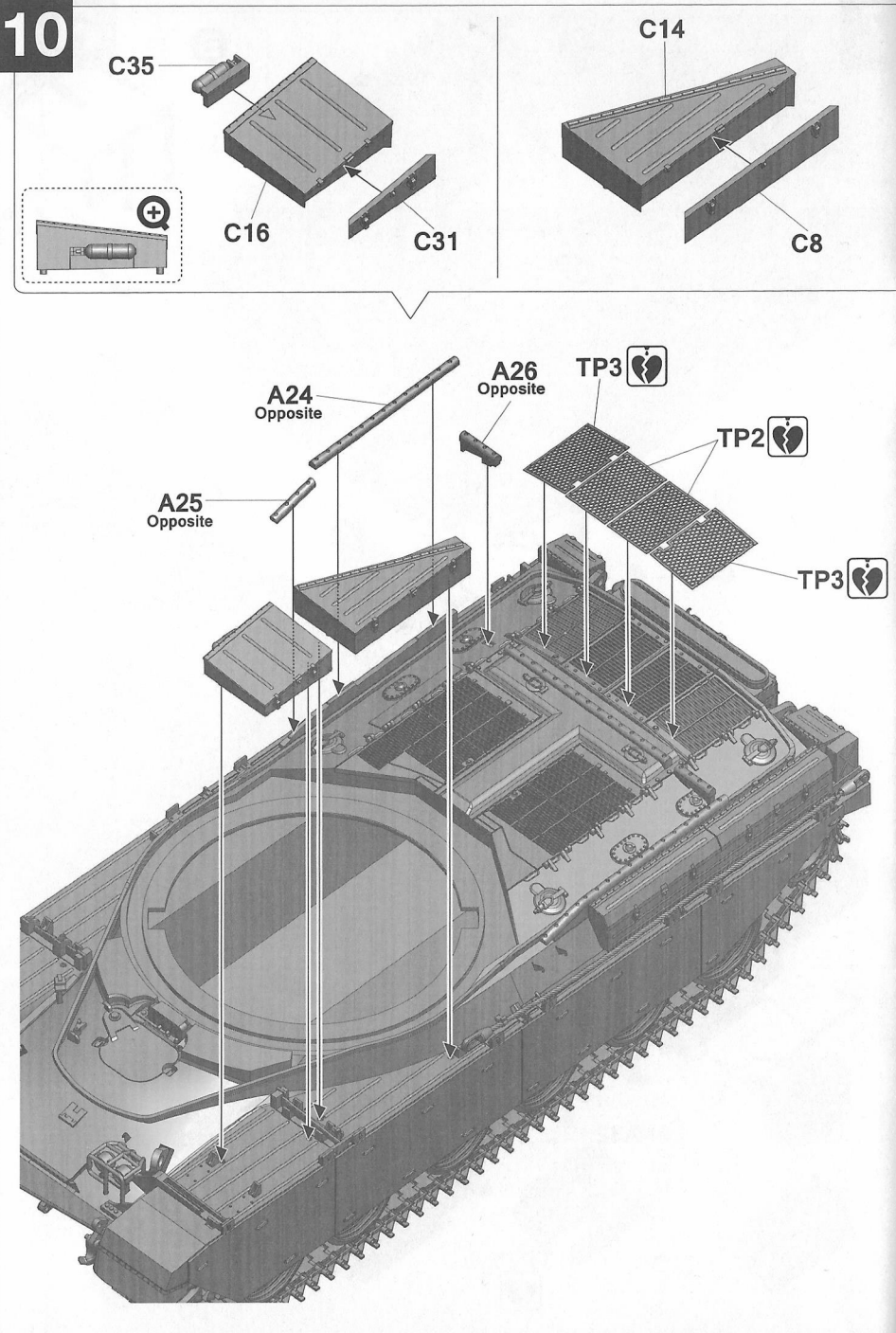
C51
Open/closed



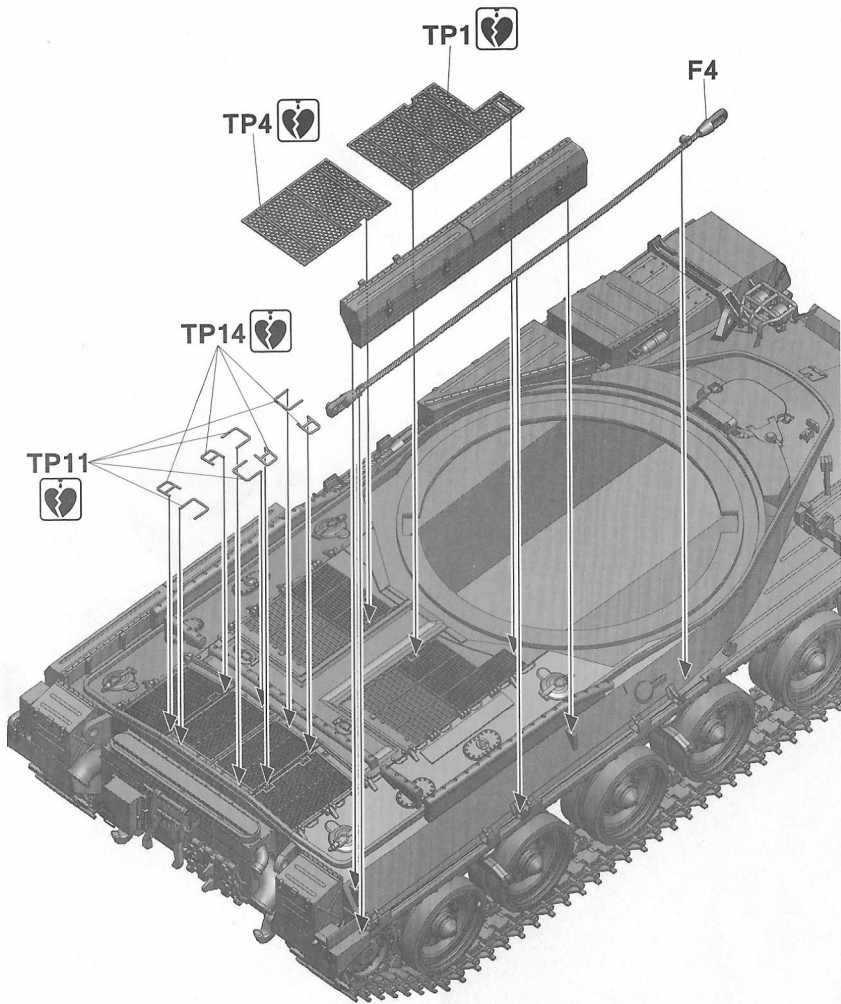
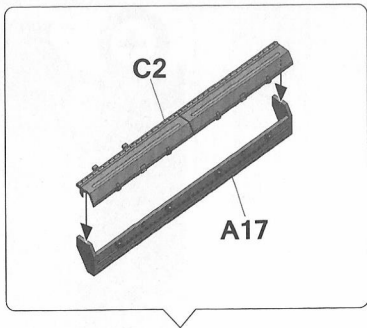
9



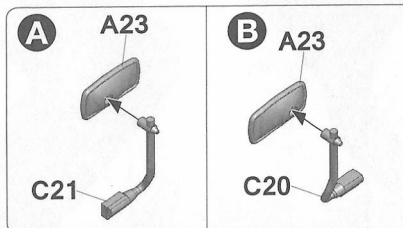
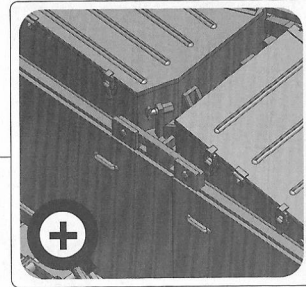
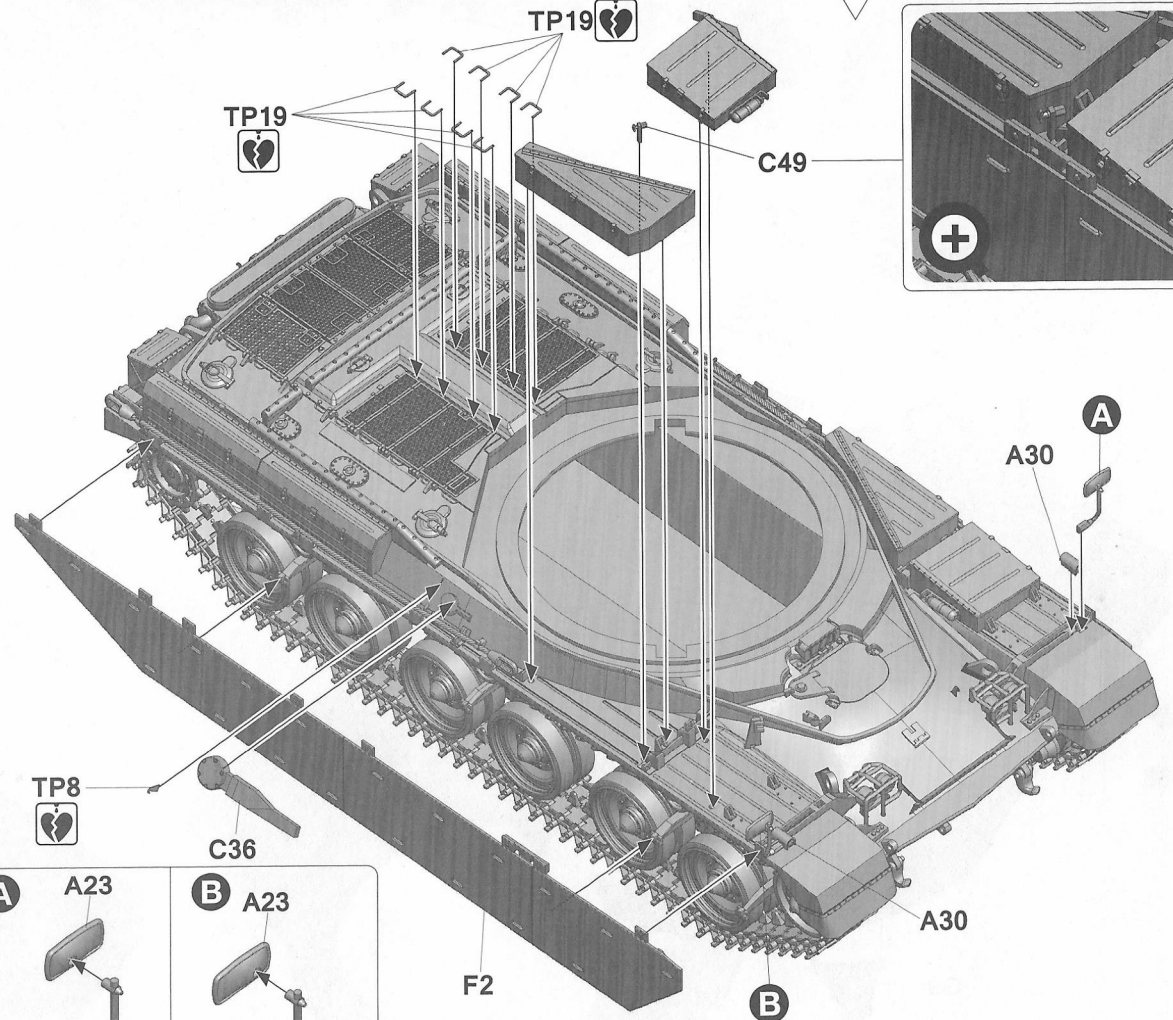
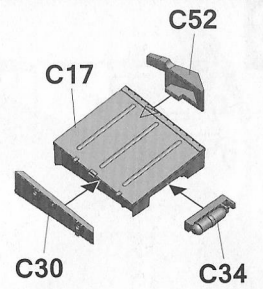
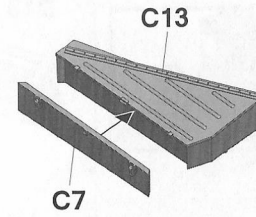
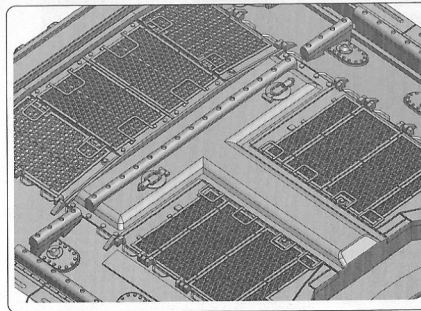
10



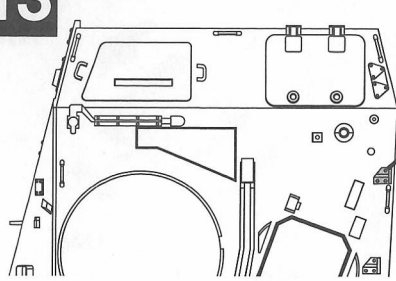
11



12



13

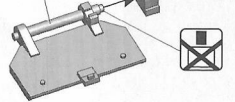


Upper Turret

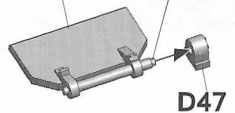


Remove this part

D13 D47

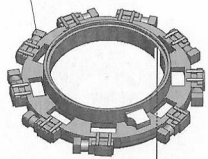


D12



D47

D5



TP23



D42

G6

D45

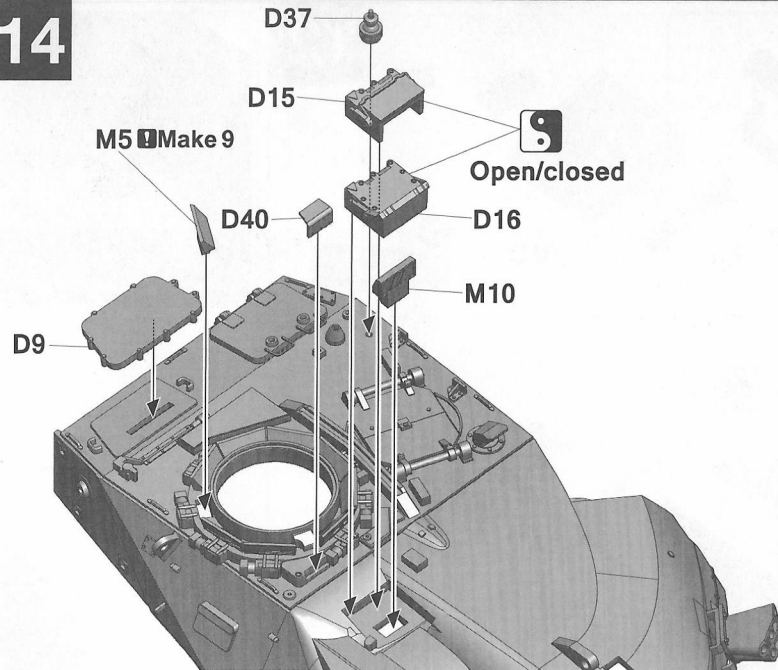
D38

G8

G9

D46

14



D37

D15

M5 Make 9

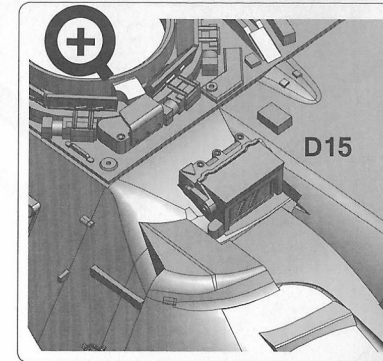
Open/closed

D16

M10

D9

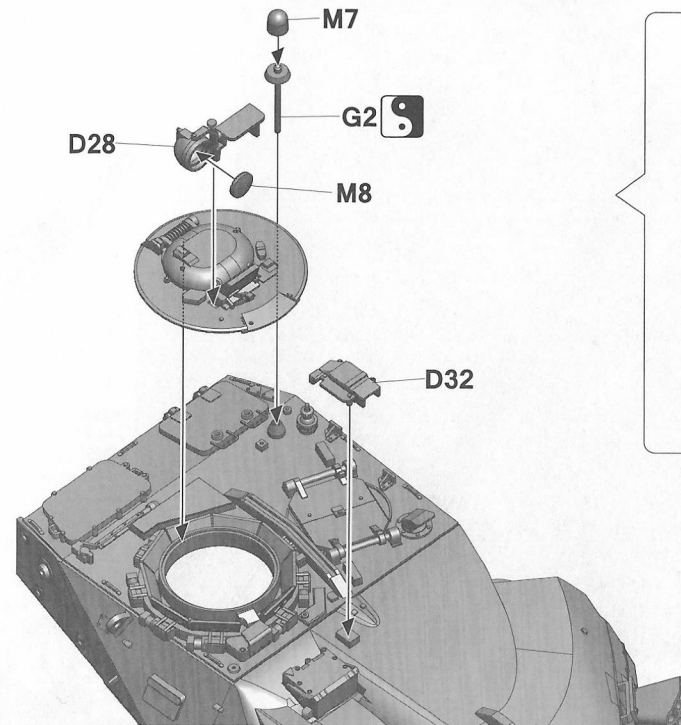
D40



D15

Open

15



M7

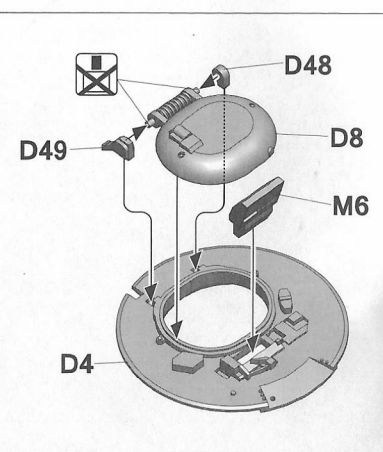
G2

D28

M8

D32

G8



D48

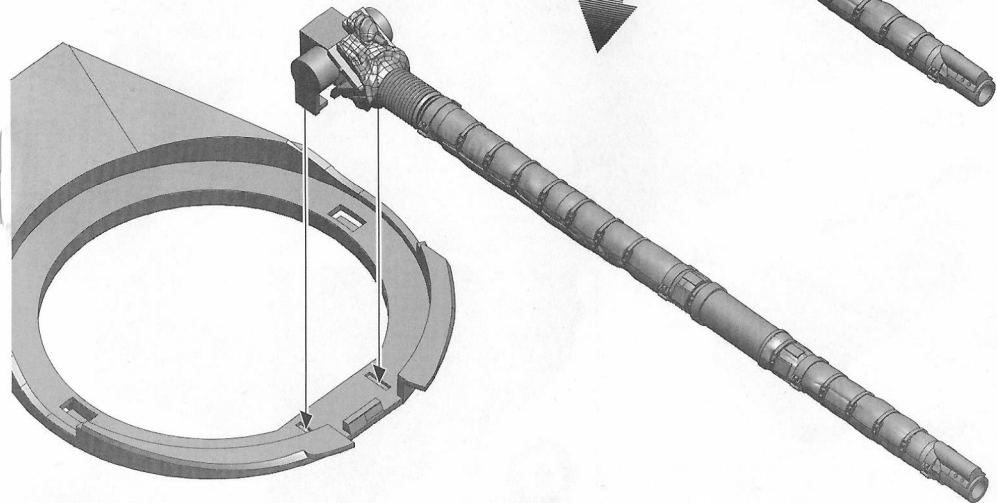
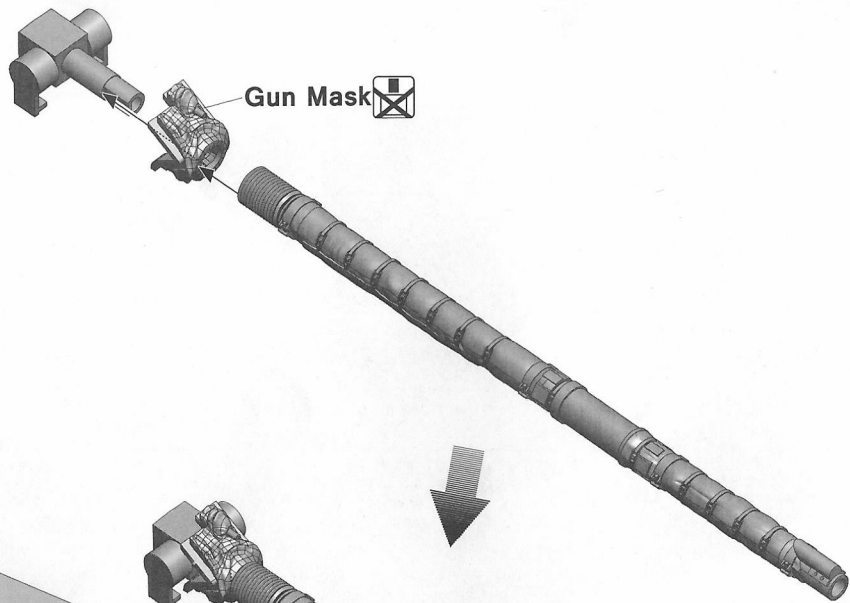
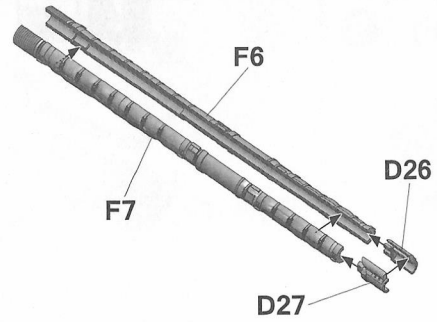
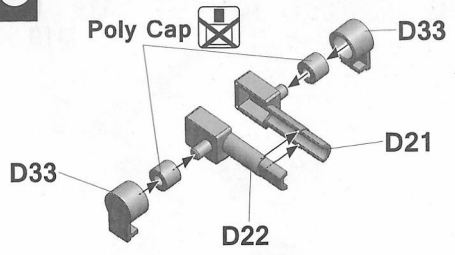
D8

M6

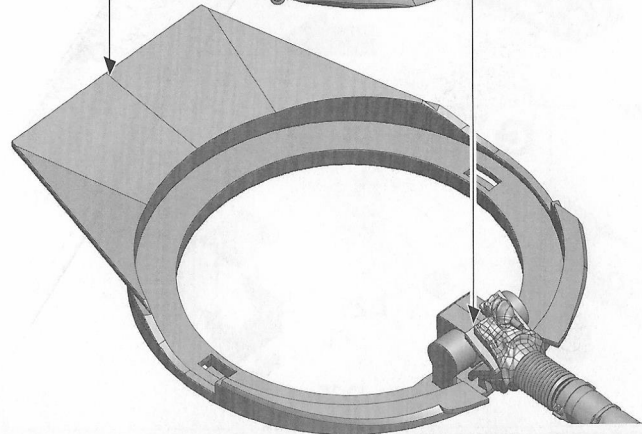
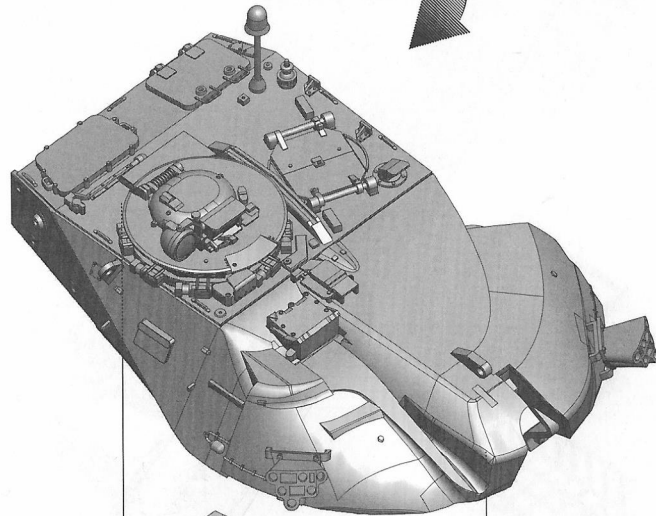
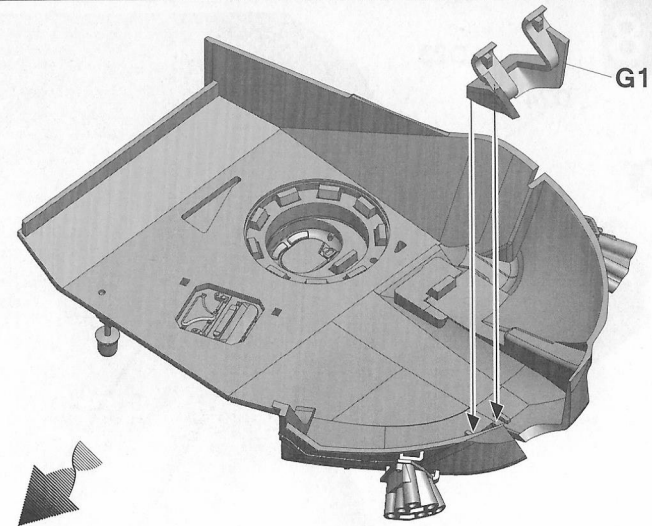
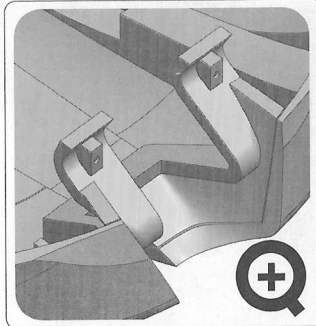
D49

D4

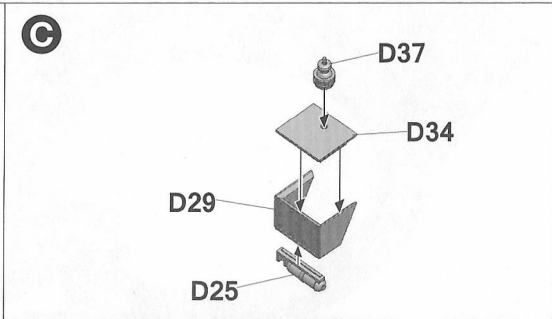
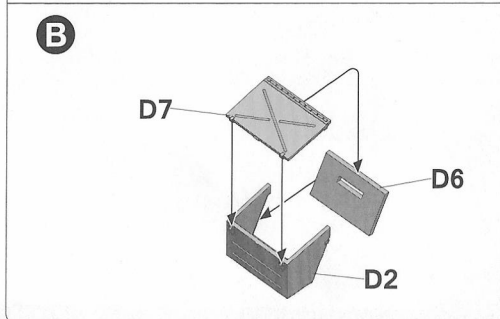
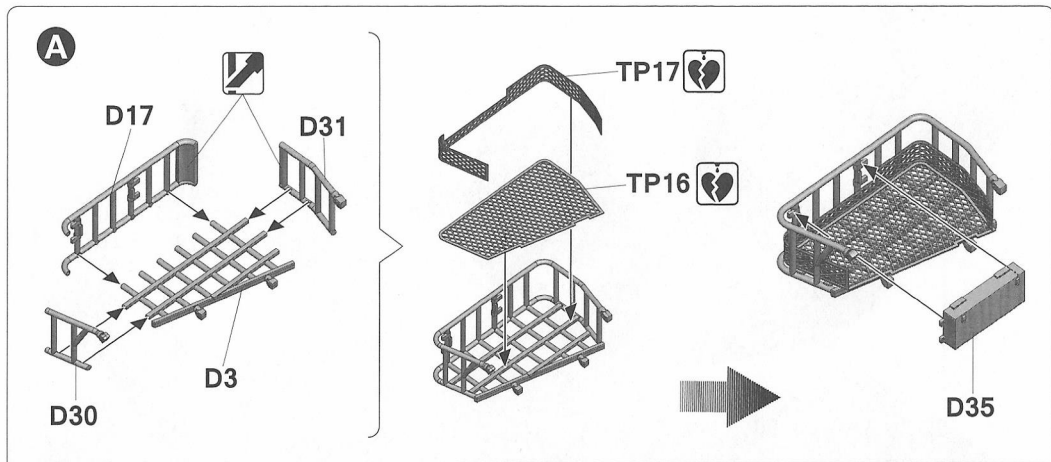
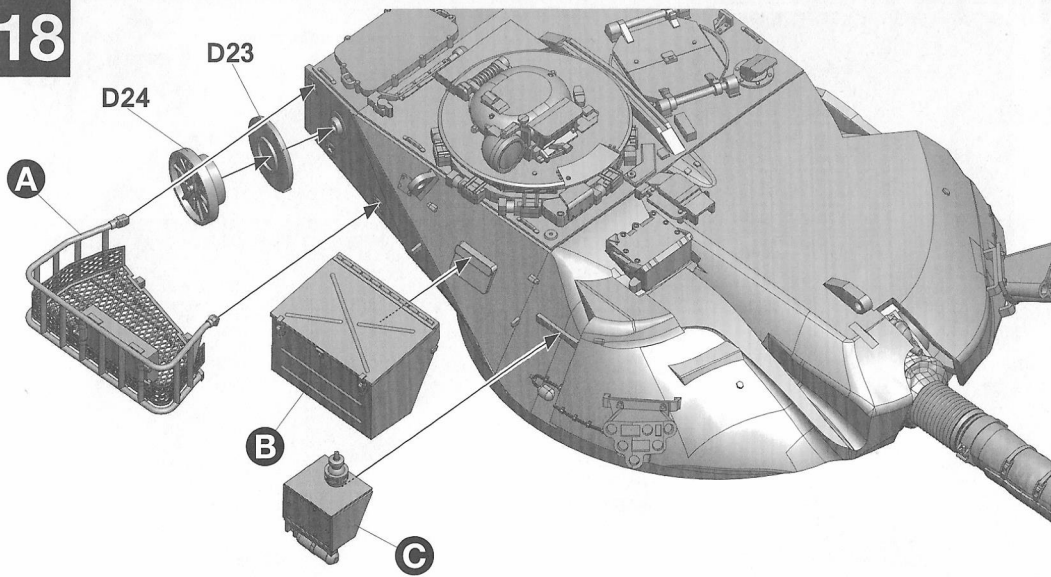
16



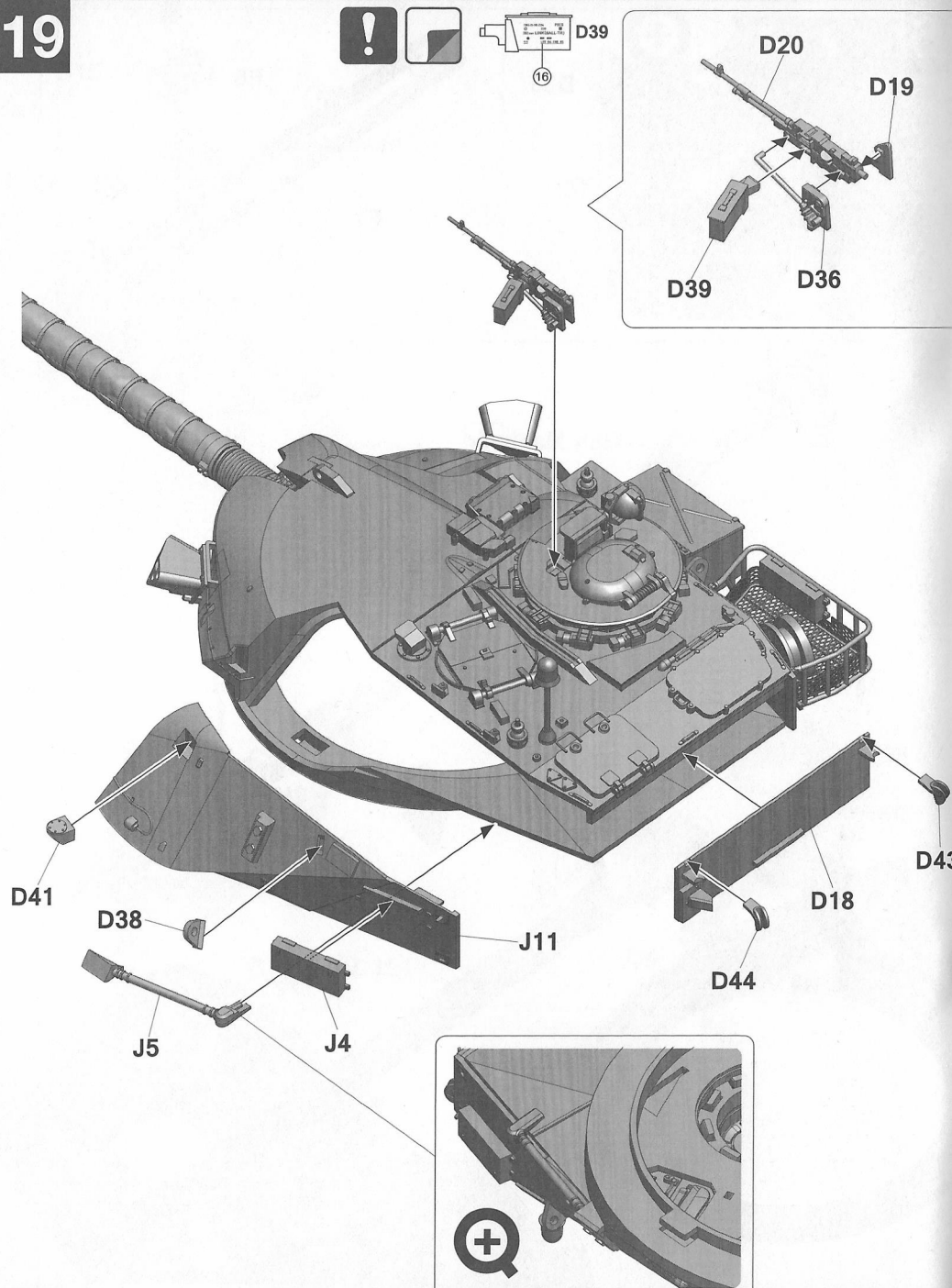
17



18

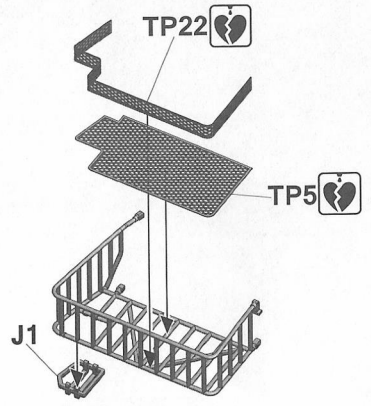
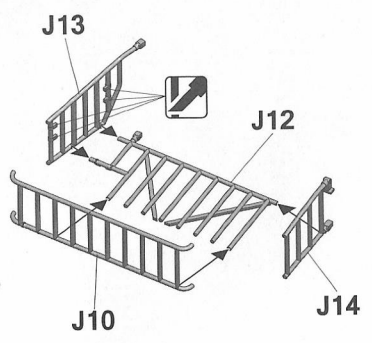


19

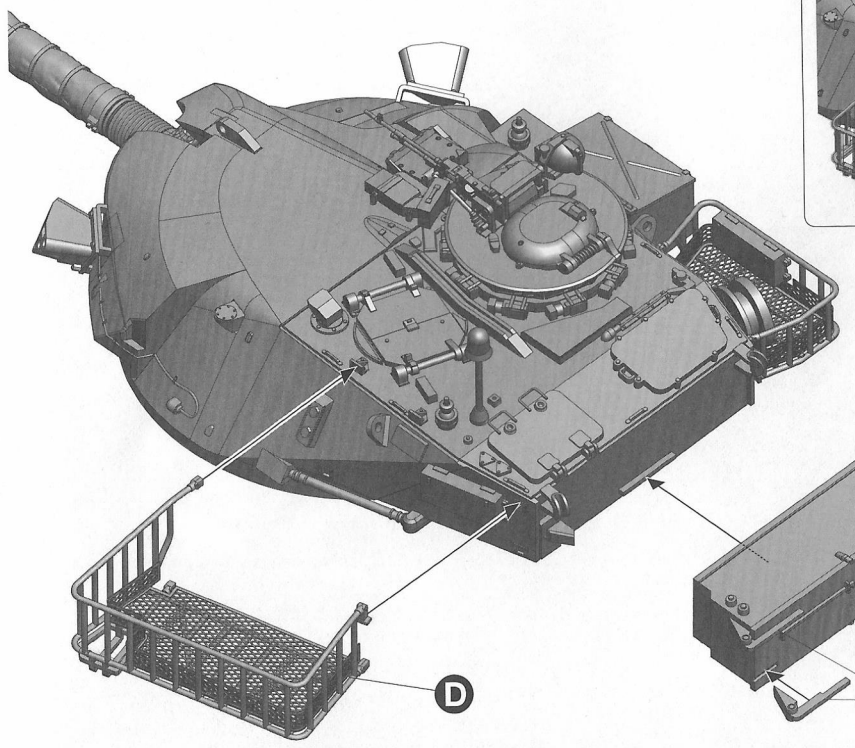
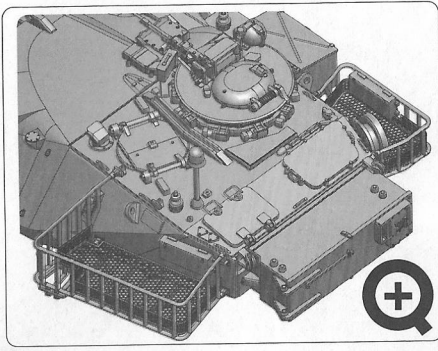
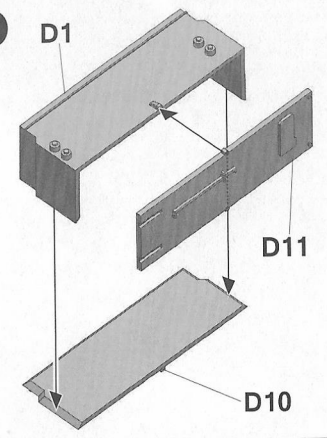


20

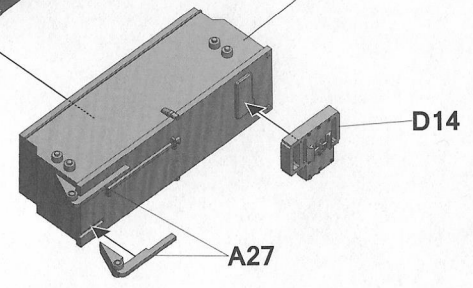
D



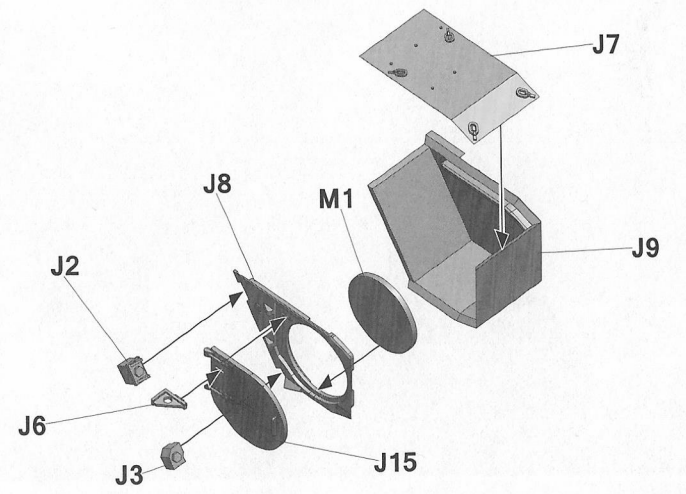
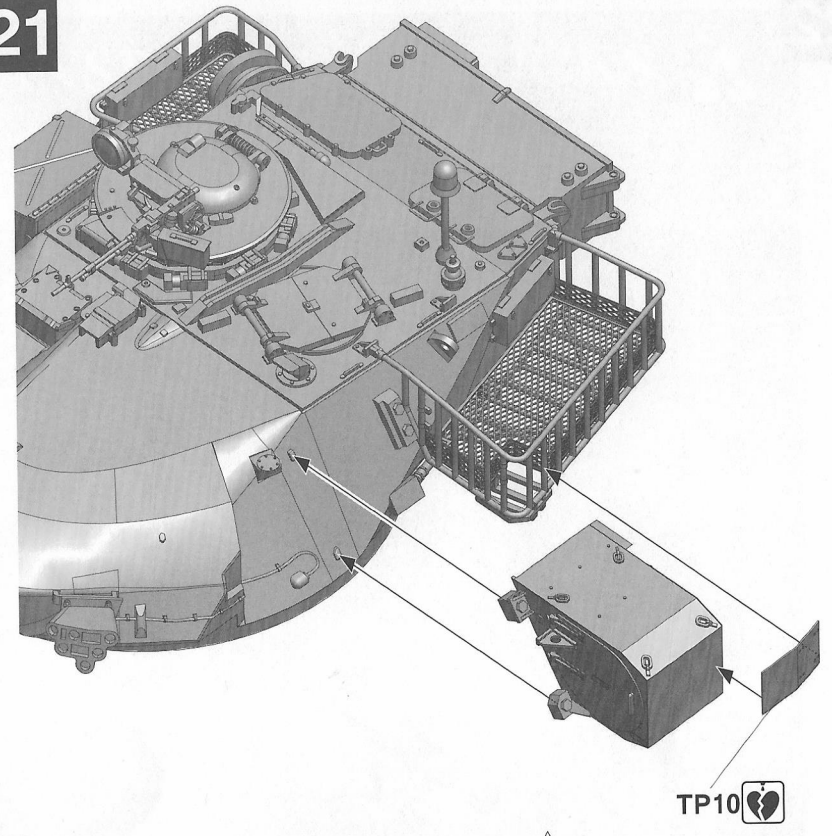
E

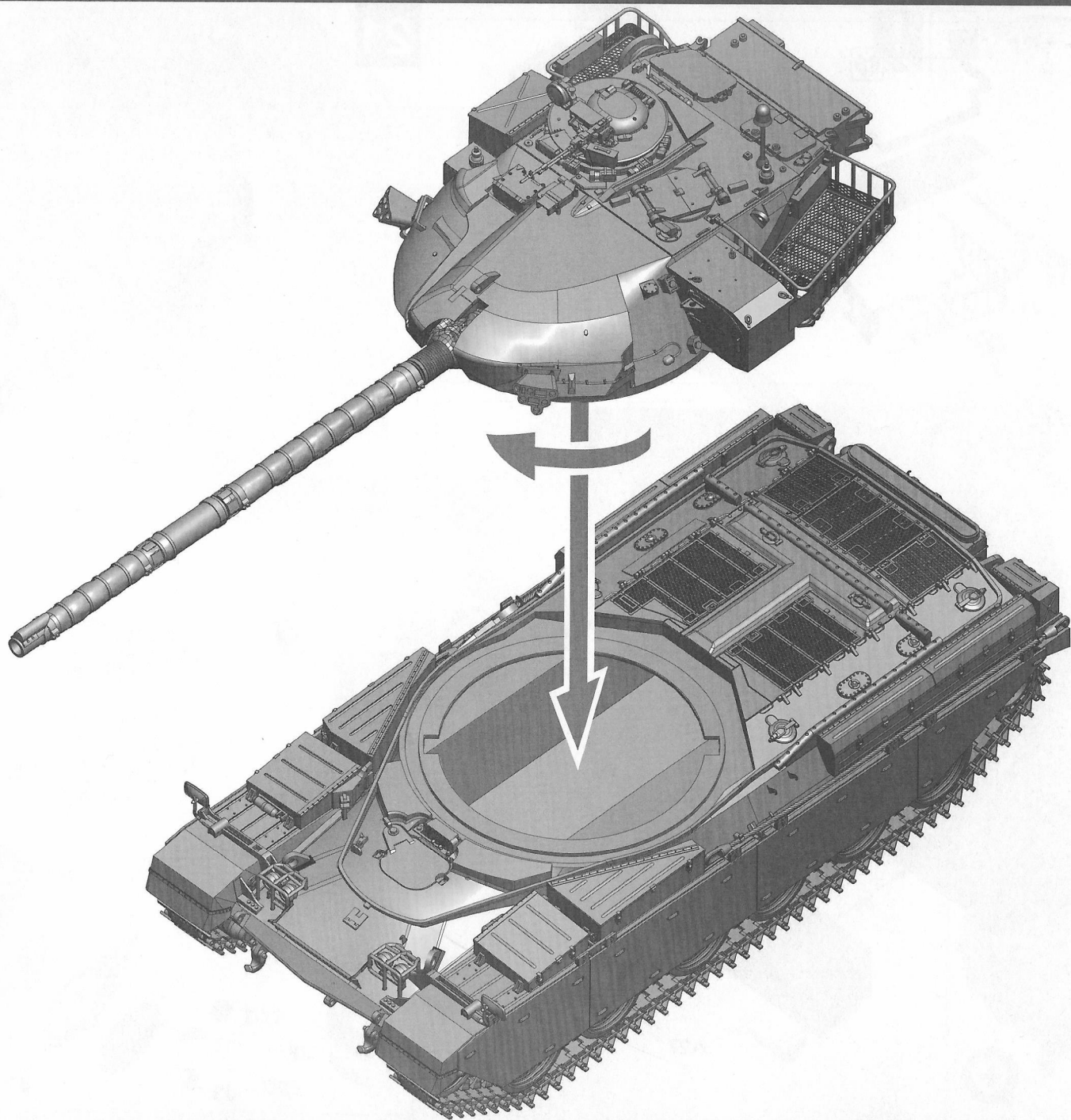


E



21





03.03.2028



CHIEFTAIN MK.10

Color info and profiles by



Painting and Marking Guide

- A.MIG 033 Rubber & Tires
- A.MIG 041 Dark Rust
- A.MIG 045 Gun Metal
- A.MIG 094 Crystal Glass
- A.MIG 095 Crystal Smoke
- A.MIG 096 Crystal Periscope Green
- A.MIG 097 Crystal Orange
- A.MIG 046 Matt Black
- A.MIG 050 Matt White
- A.MIG 070 Medium Brown
- A.MIG 084 NATO Green
- A.MIG 210 Grey Blue

C Squadron, 14/20 Kings Royal Hussars, Berlin 1988-1991



03.03.2028



CHIEFTAIN MK.10

Color info and profiles by



Painting and Marking Guide

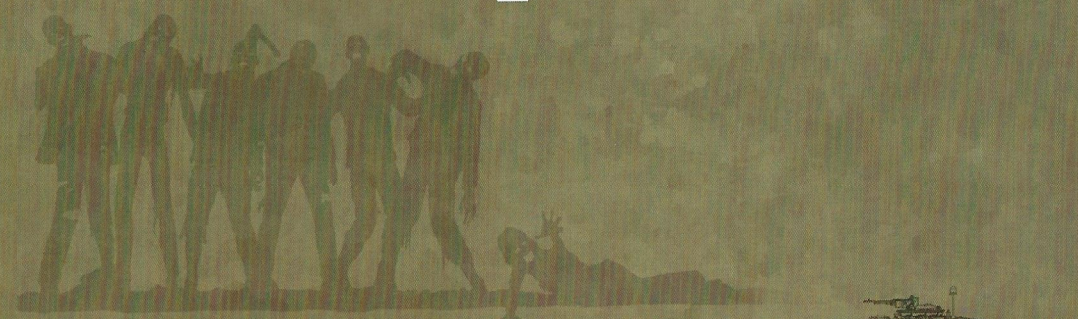
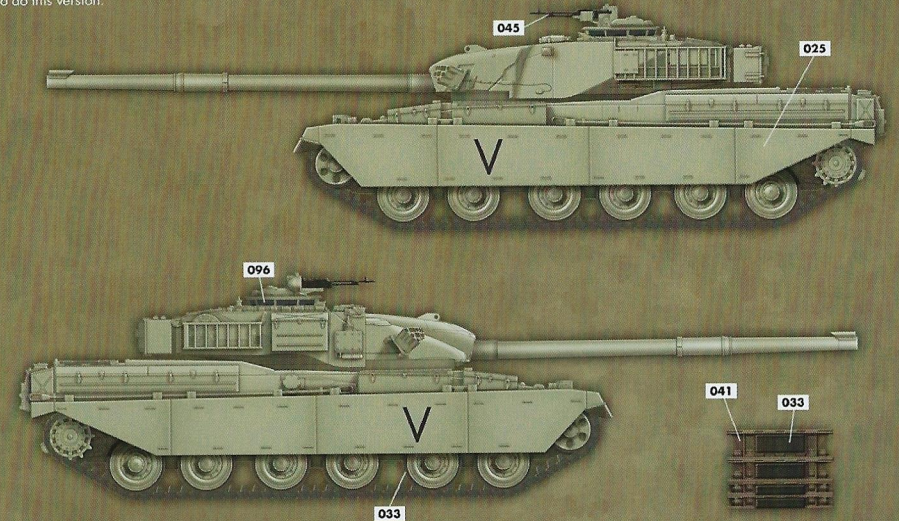
- A.MIG 033 Rubber & Tires
- A.MIG 041 Dark Rust
- A.MIG 045 Gun Metal
- A.MIG 094 Crystal Glass
- A.MIG 095 Crystal Smoke
- A.MIG 096 Crystal Periscope Green
- A.MIG 025 US. Modern Vehicles

Modified MK.10 as seen in a famous TV show, where this tank is depicted in a devastated version of Atlanta, Georgia (U.S.A).

To make this version, it's necessary to change the Browning machine gun model M2H1. Remove the infrared box and modify the gun to give the look of the version featured on the M1 Abrams.

Please note that these elements are not included in the kit. These is just a suggestions in the case you want to do this version.

THE ZOMBIE TANK



03.03.2028



CHIEFTAIN MK.10

Color info and profiles by



Painting and Marking Guide

A Squadron, 1 RTR, BATUS 1991

- A.MIG 033 Rubber & Tires
- A.MIG 041 Dark Rust
- A.MIG 045 Gun Metal
- A.MIG 094 Crystal Glass
- A.MIG 095 Crystal Smoke
- A.MIG 096 Crystal Periscope Green
- A.MIG 097 Crystal Orange
- A.MIG 061 Warm Yellow Sand
- A.MIG 050 Matt White
- A.MIG 084 NATO Green



03.03.2028



CHIEFTAIN MK.10

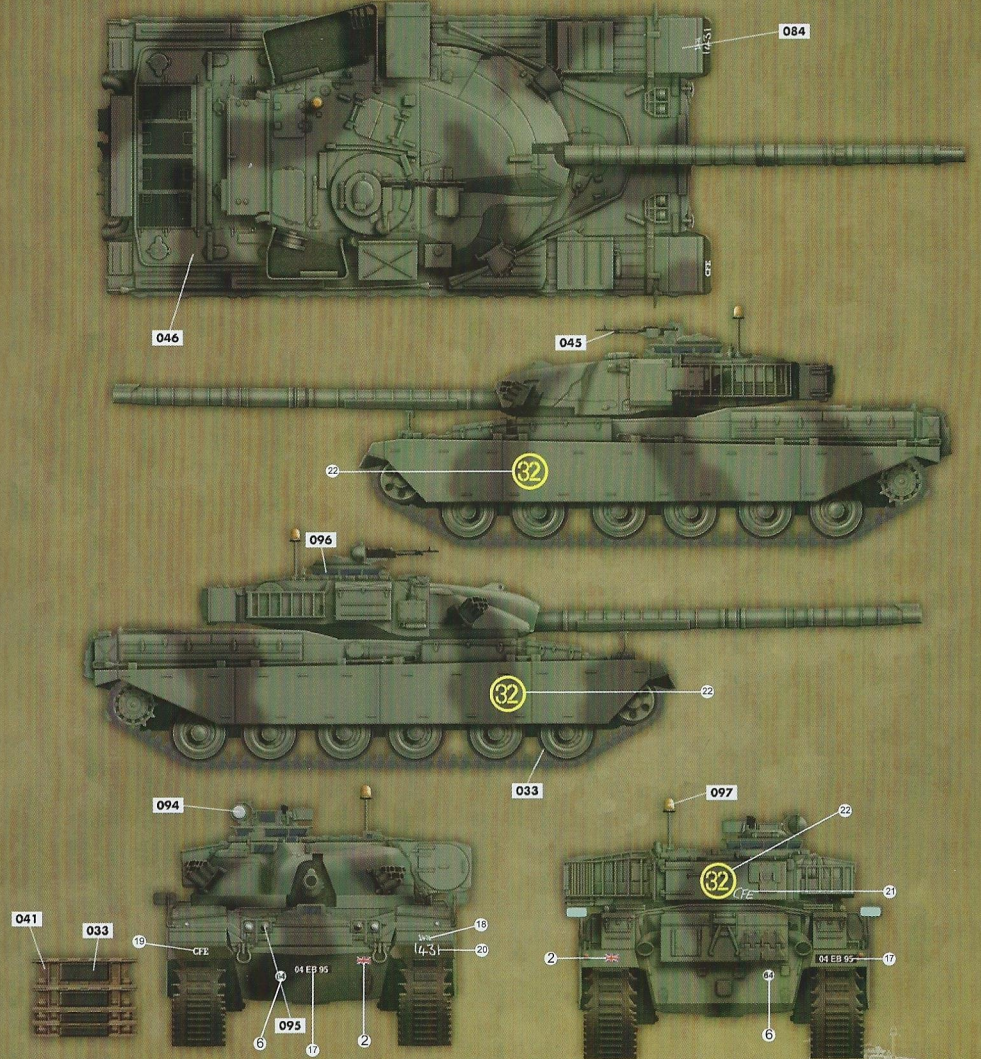
Color info and profiles by



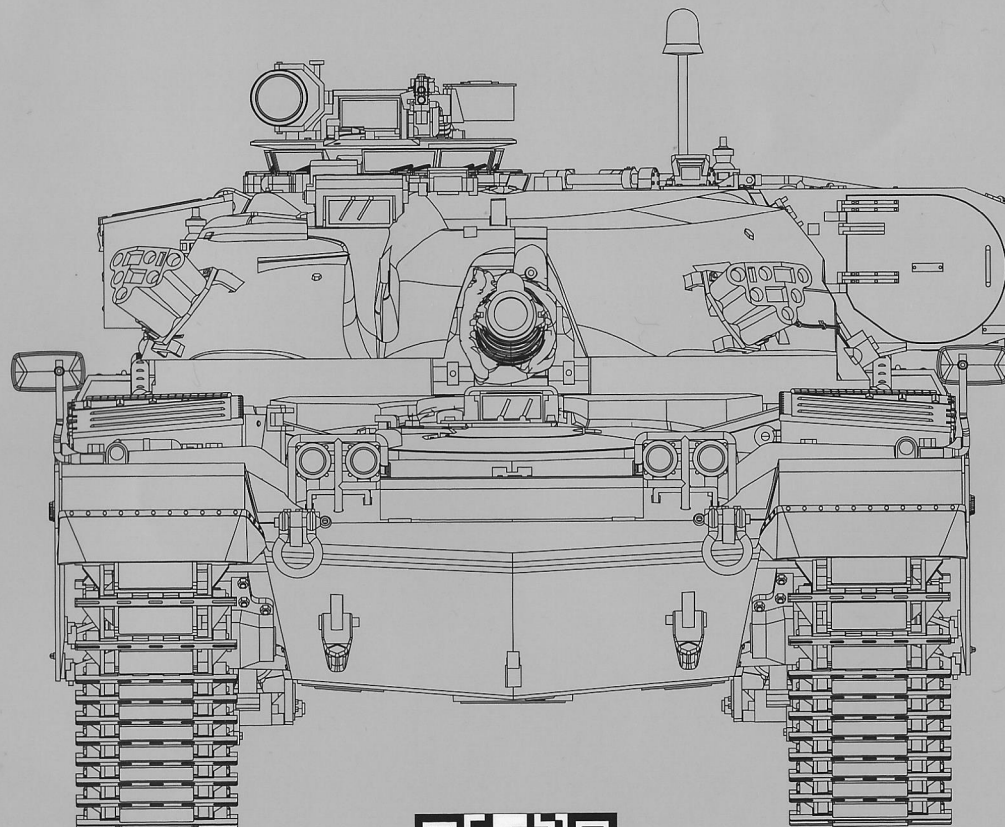
Painting and Marking Guide

Tank waiting on Warcop Range, used as hard targets

- A.MIG 033 Rubber & Tires
- A.MIG 041 Dark Rust
- A.MIG 045 Gun Metal
- A.MIG 094 Crystal Glass
- A.MIG 095 Crystal Smoke
- A.MIG 096 Crystal Periscope Green
- A.MIG 097 Crystal Orange
- A.MIG 046 Matt Black
- A.MIG 084 NATO Green



2015/2028



You can find TAKOM on Facebook.com