

KOREA TYPE 88 K1 TANK

韩国88式K1主战坦克



cyanoacrylate glue
使用强力胶



weight
配重



make hole
钻孔



cut / remove
切除



bend
弯曲



file / sand
锉平



option
选择



no cement
不涂胶



decal
贴纸

水贴纸的使用:

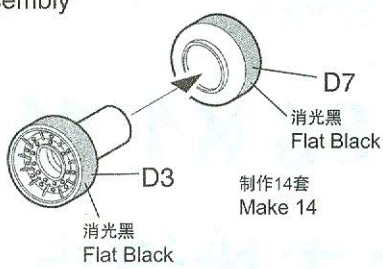
1. 从水贴纸上剪下印花;
2. 将印花放入温水中浸10秒,
然后放在干净布上。
3. 拿着印花纸板将印花移到模型上;
4. 手指蘸水将印花移到适当的位置;
5. 用软布轻压印花直至水干, 气泡消失。

DECAL APPLICATION

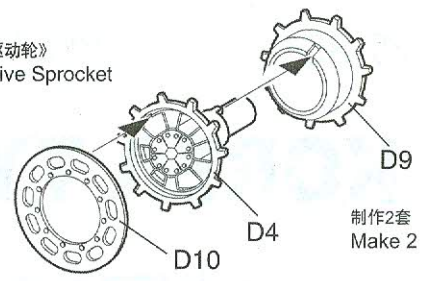
1. Cut off decal from sheet.
2. Dip the decal in tepid water 40°C for about 10 sec. and place on a clean cloth.
3. Hold the backing sheet edge and slide decal onto the model.
4. Move decal into position by wetting decal with finger.
5. Press decal gently down with a soft cloth until excess water and air bubbles are gone.

1 车轮组装
Wheel assembly

《承压轮》
Road Wheel

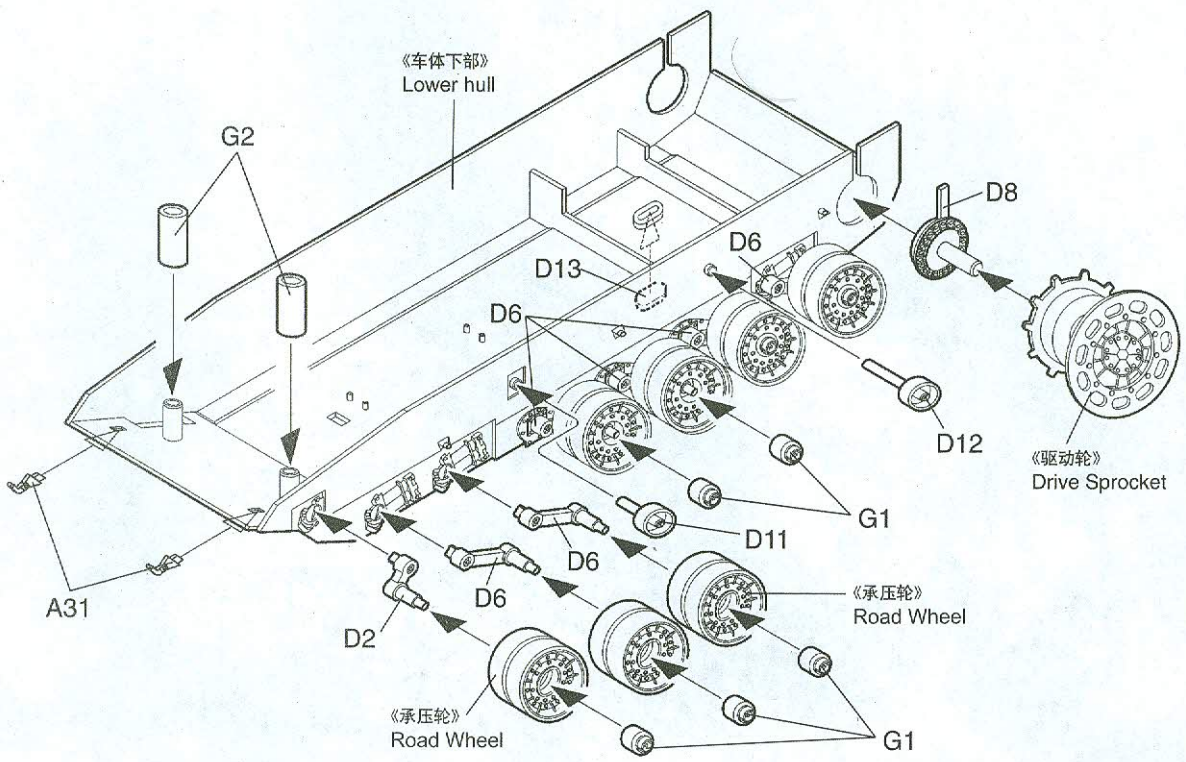


《驱动轮》
Drive Sprocket



2 车底组装
Lower hull assembly

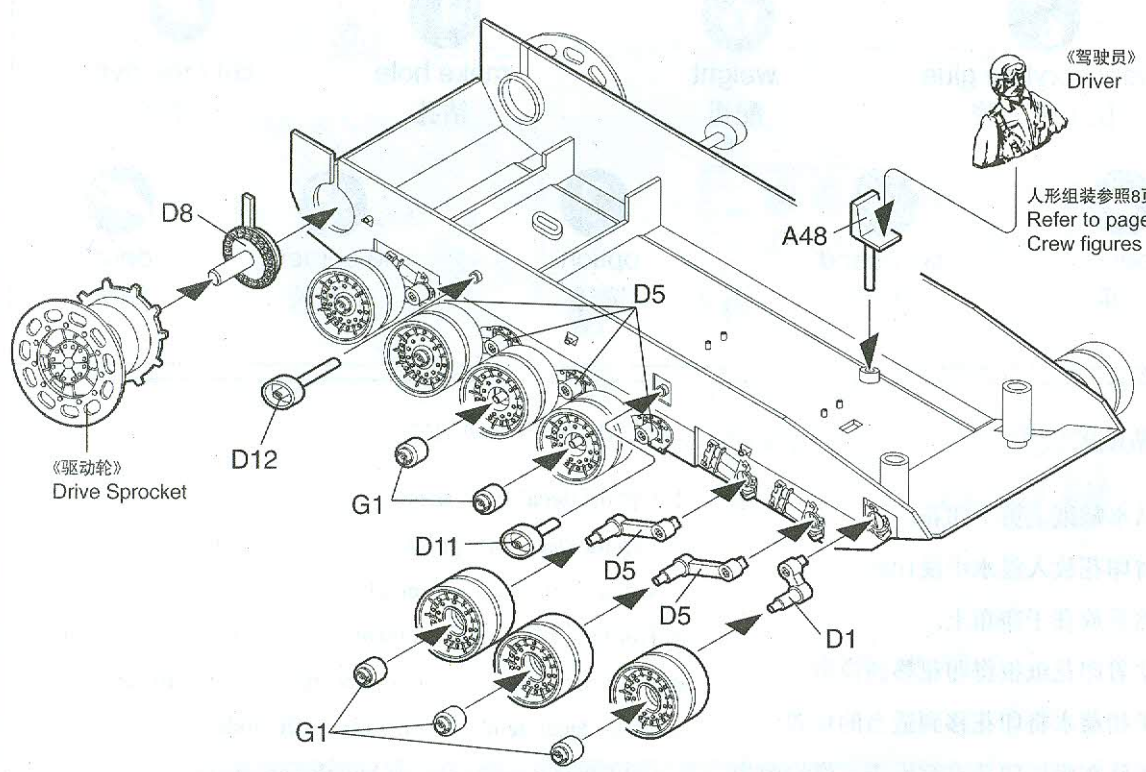
《车体下部》
Lower hull



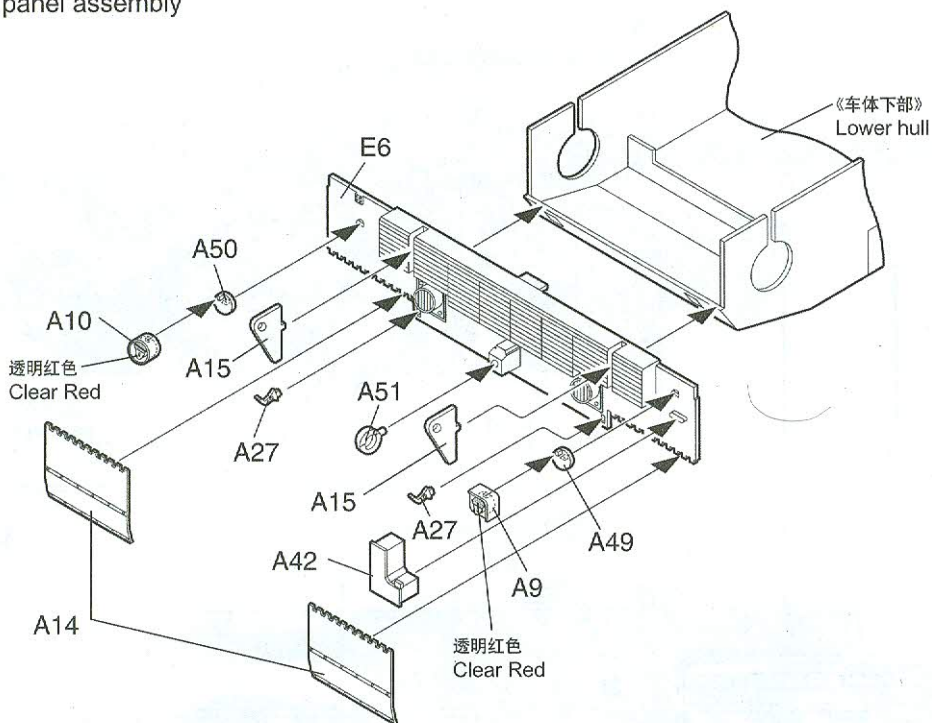
《驾驶员》
Driver



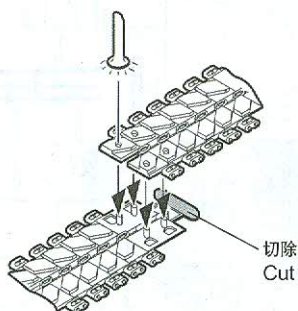
人形组装参照8页
Refer to page 8 for
Crew figures



3 后板组装
Rear panel assembly

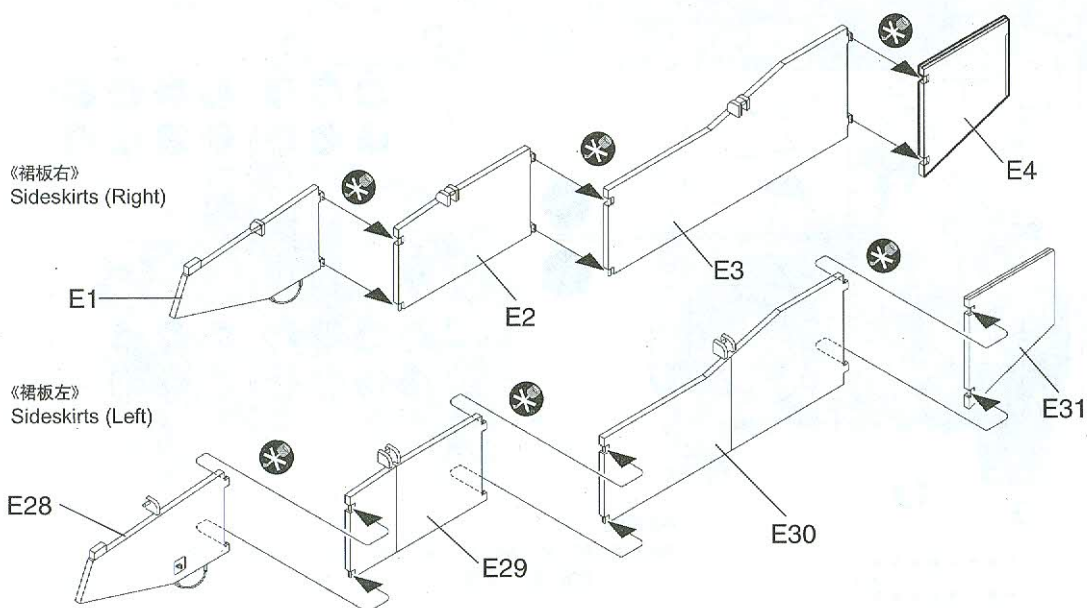


4 履带联接
Track construction



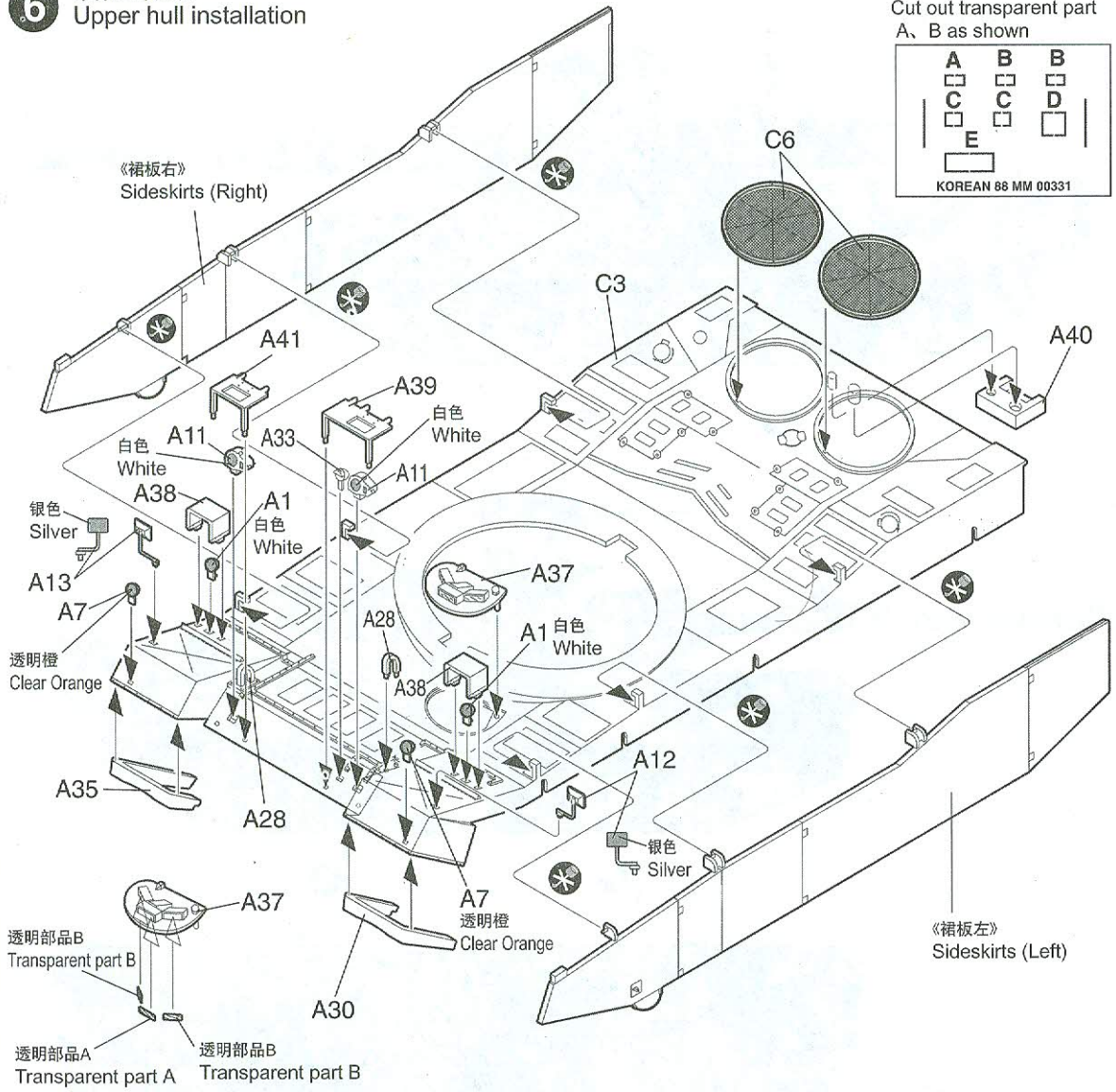
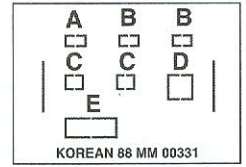
- 根据实际要求选择履带尺寸。
- 用热铁钉软化接头，用手指压下接头。若履带断裂，用细丝线固定。
- Melt pin heads carefully with a heated nail etc. Immediately press pin heads with your finger.
- If track is broken strengthen with staples, or thread.

5 裙板组装
Sideskirts assembly

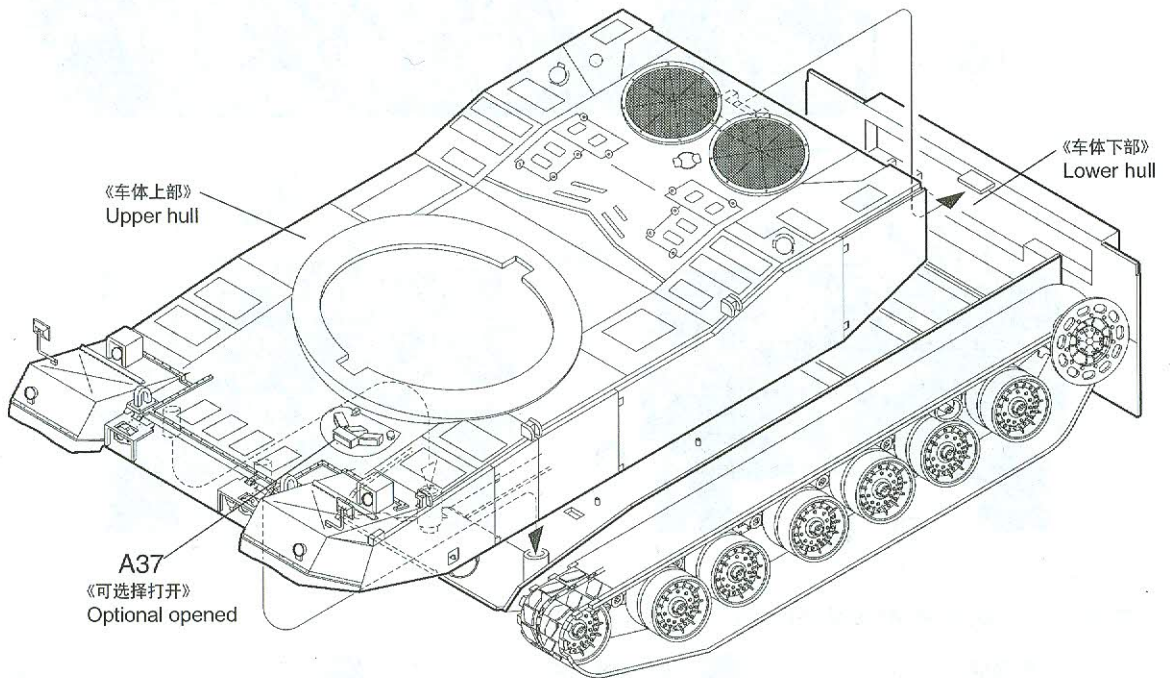


6 车体上部安装
Upper hull installation

用小刀切下透明部品A、B
Cut out transparent part
A, B as shown

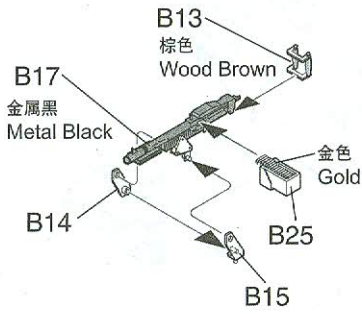


7 车体上部安装
Upper hull installation

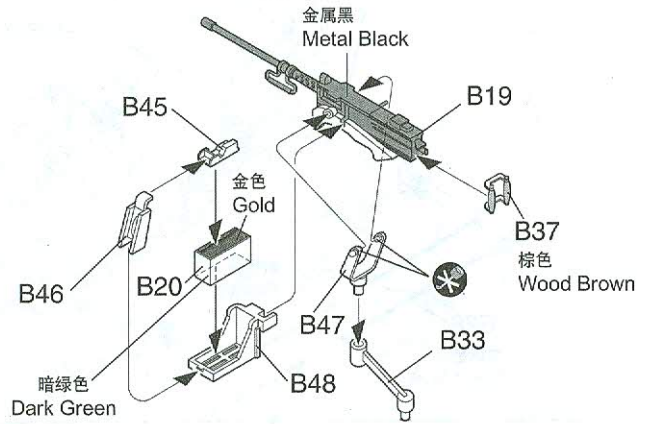


8 机枪组装
Machine gun

《7.62mm机枪》
7.62mm maching gun

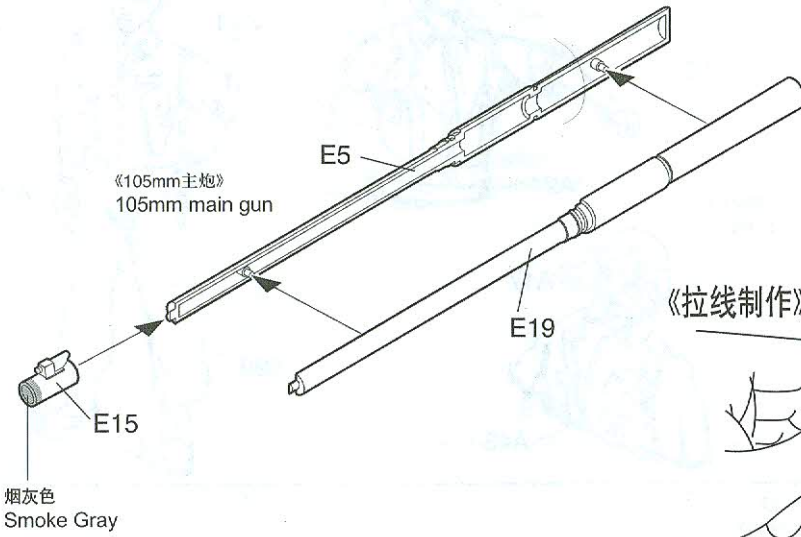


《12.7mm机枪》
12.7mm maching gun

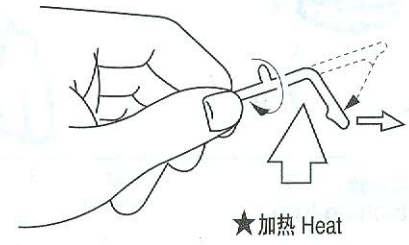


9 主炮组装
Main gun assembly

《105mm主炮》
105mm main gun



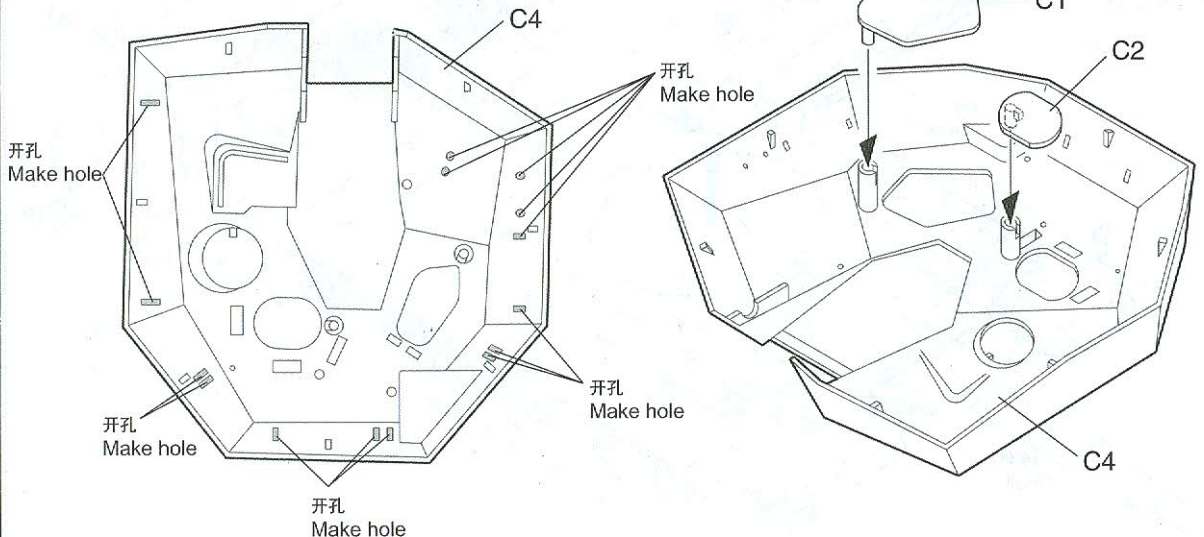
《拉线制作》 How to make antenna



★加热 Heat

★加热浇口，拉线冷却，冷却后切成所需长度
Heat sprue as shown, Remove from flame and streth Allow to cool and cut to required Length.

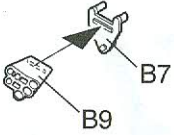
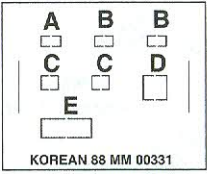
10 炮塔组装 I
Turret assembly I



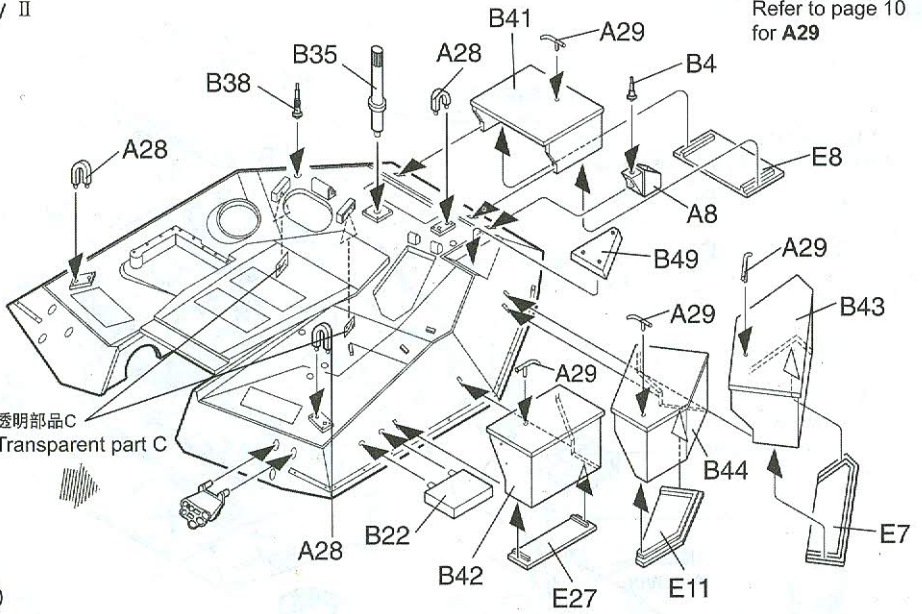
11 炮塔组装 II Turret assembly II

A29装配参照10页
Refer to page 10
for A29

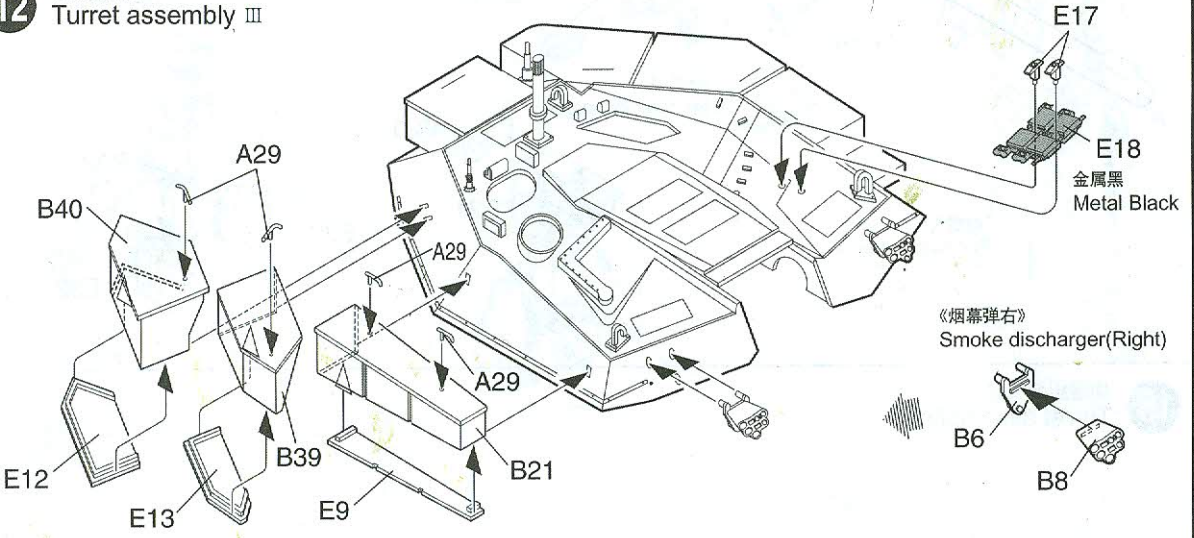
用小刀切下透明部品C
Cut out transparent part
C as shown



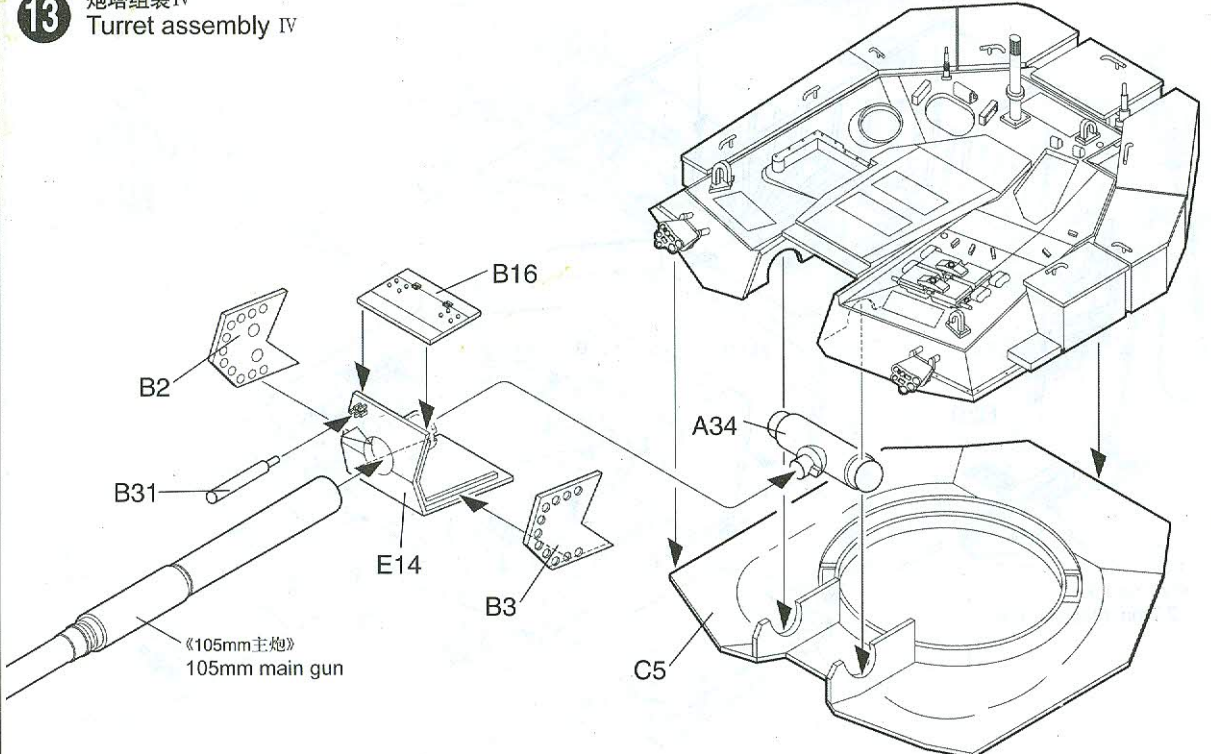
《烟雾弹左》
Smoke discharger(left)



12 炮塔组装 III Turret assembly III

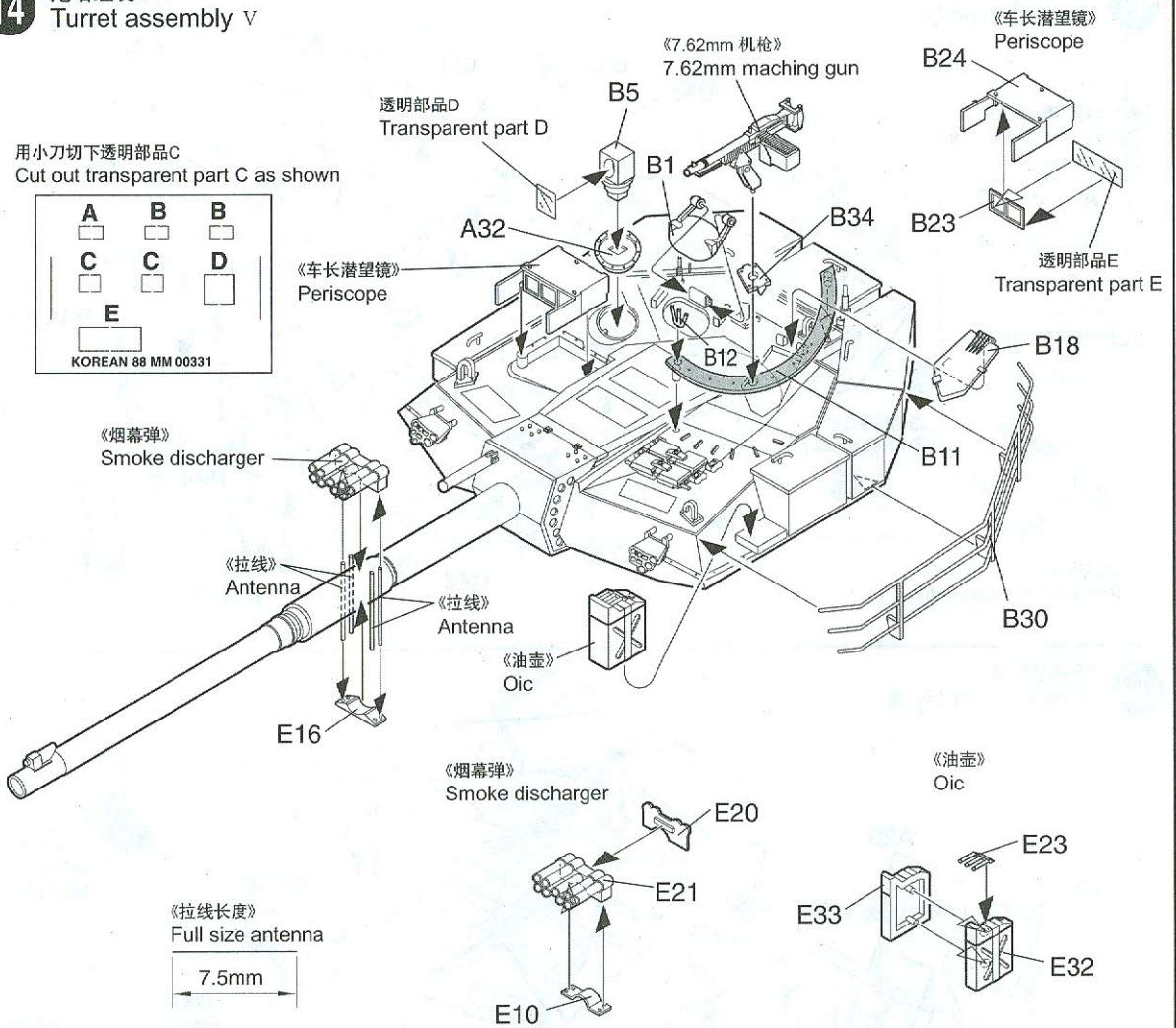
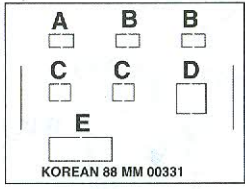


13 炮塔组装 IV Turret assembly IV

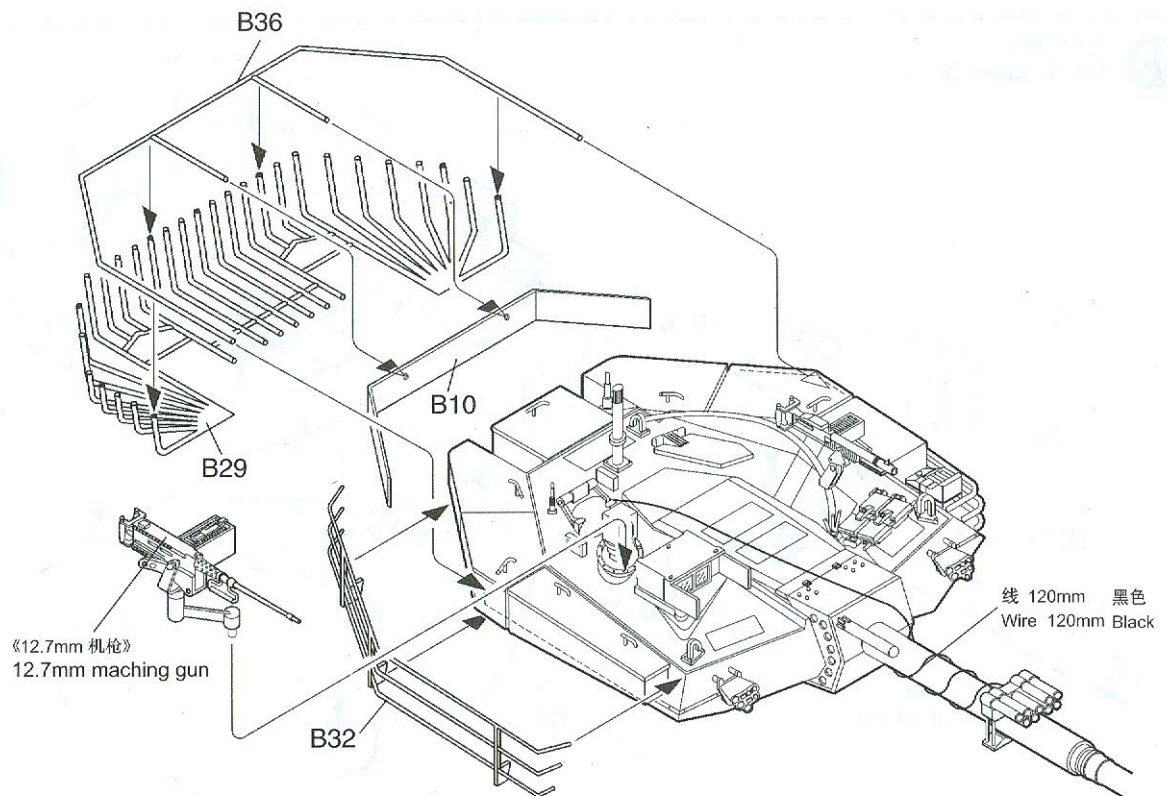


14 炮塔组装 V
Turret assembly V

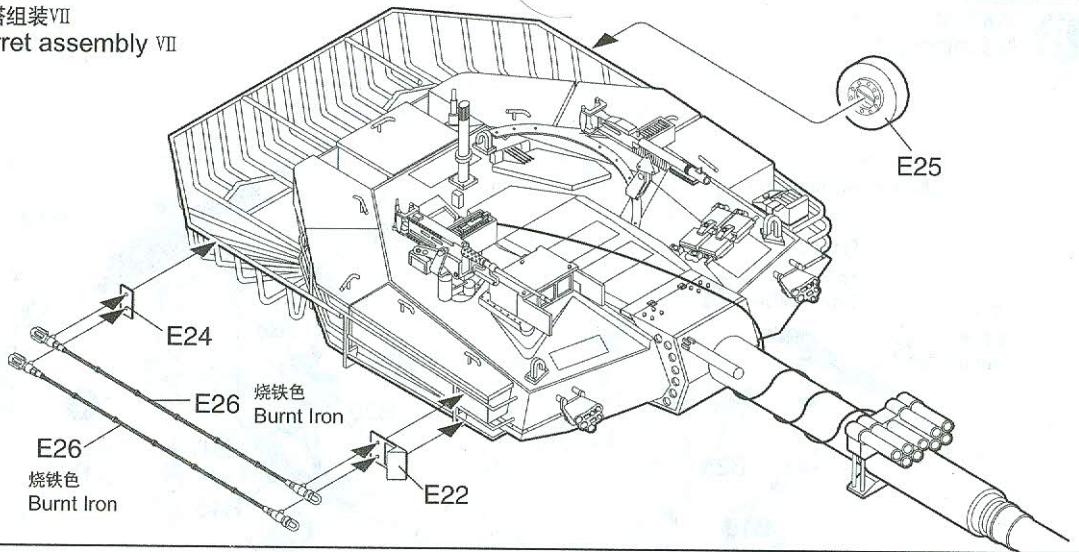
用小刀切下透明部品C
Cut out transparent part C as shown



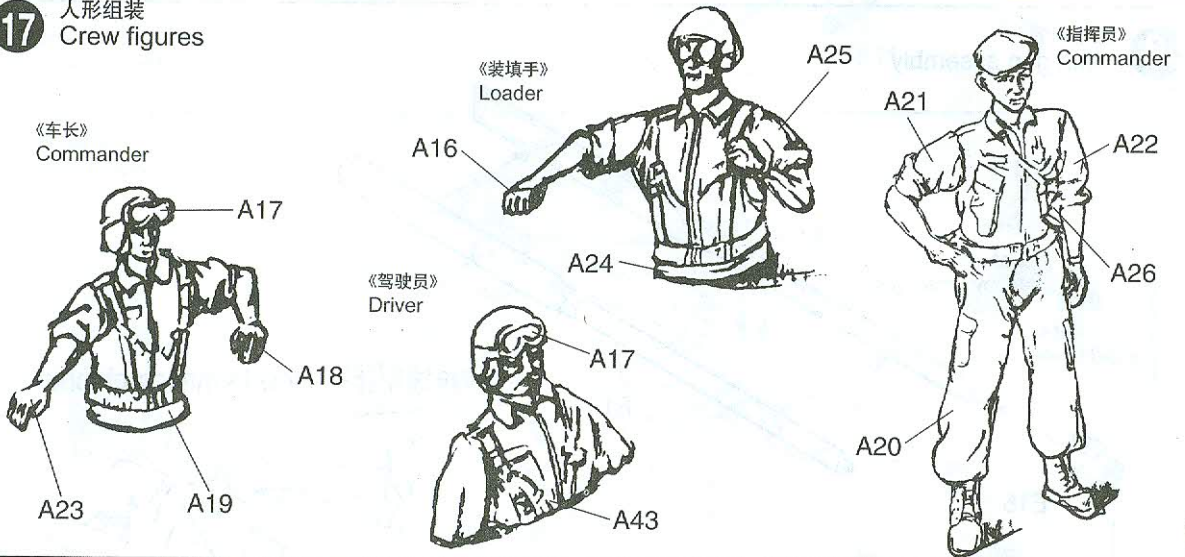
15 炮塔组装 VI
Turret assembly VI



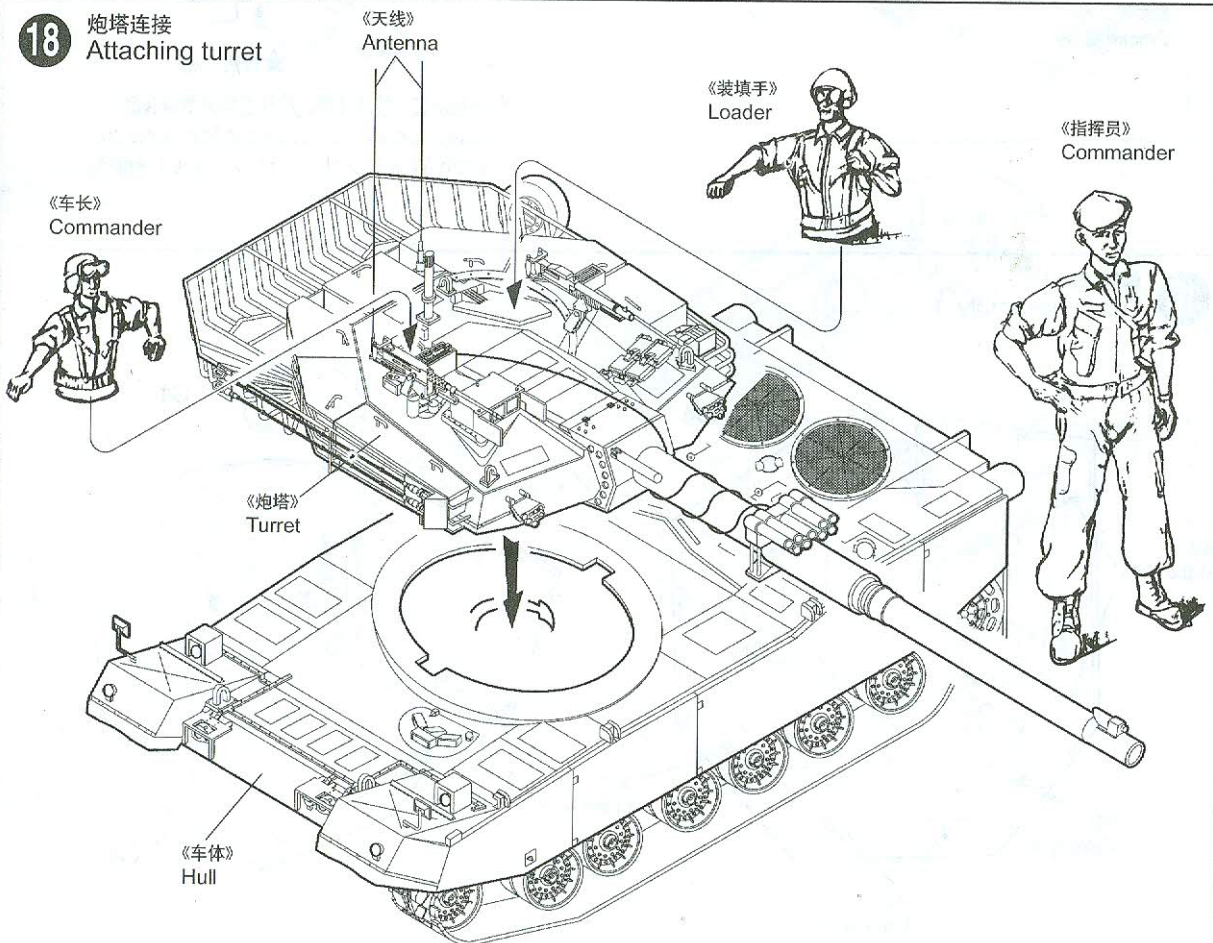
16 炮塔组装 VII
Turret assembly VII



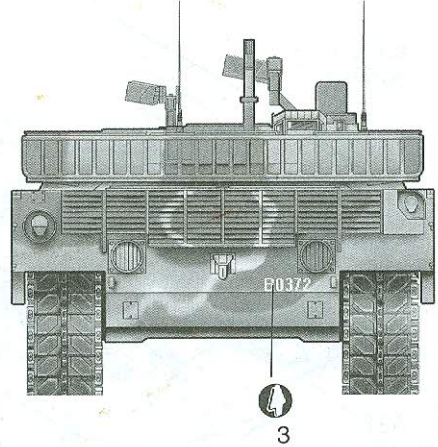
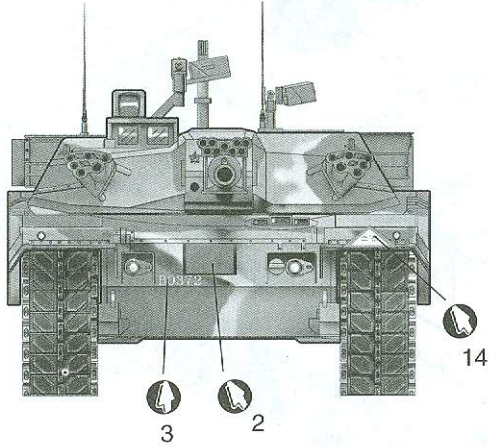
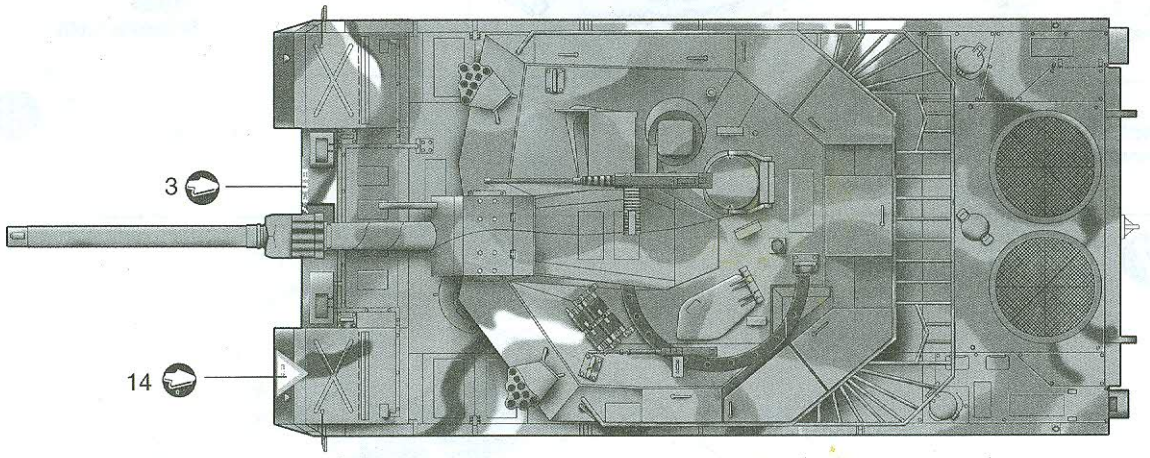
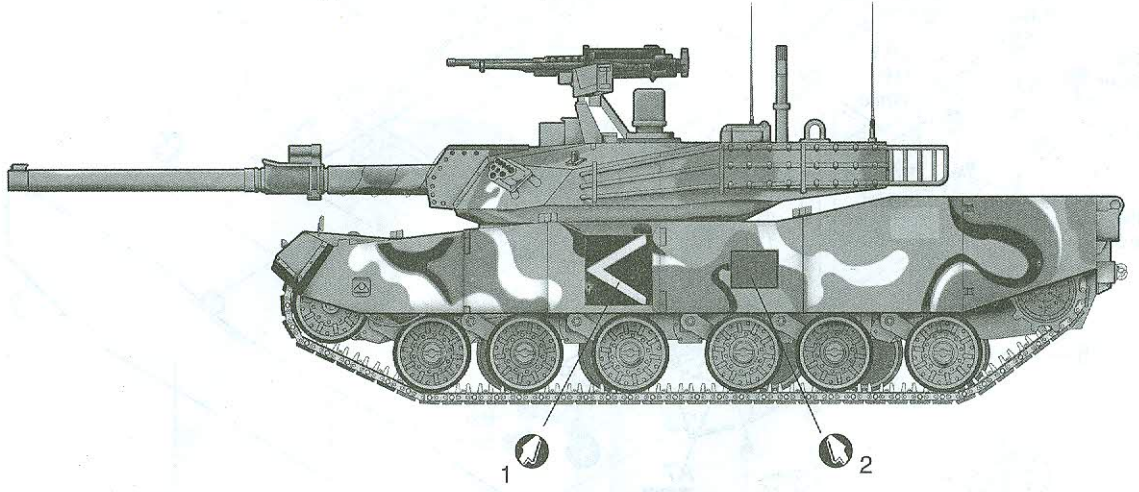
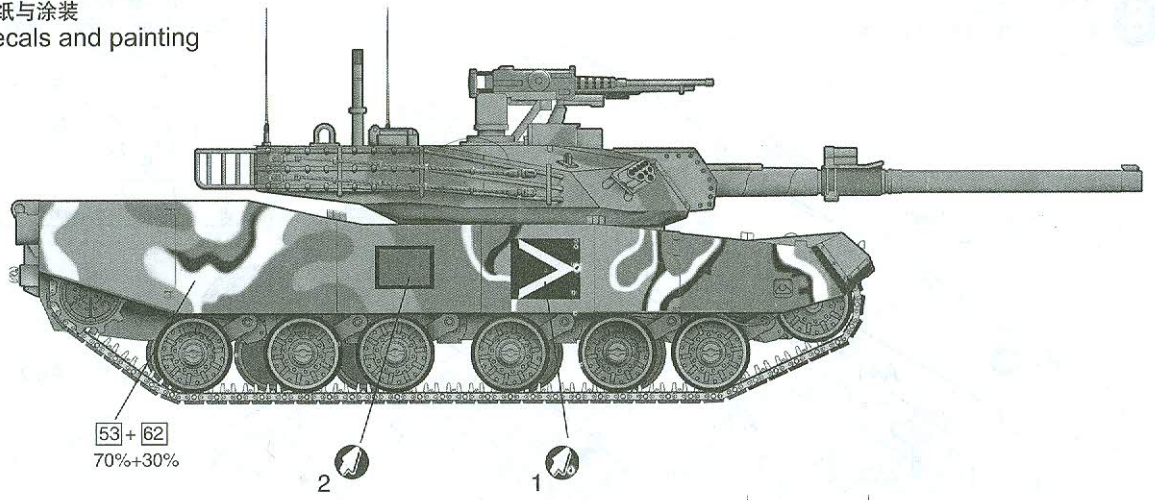
17 人形组装
Crew figures



18 炮塔连接
Attaching turret



贴纸与涂装
Decals and painting



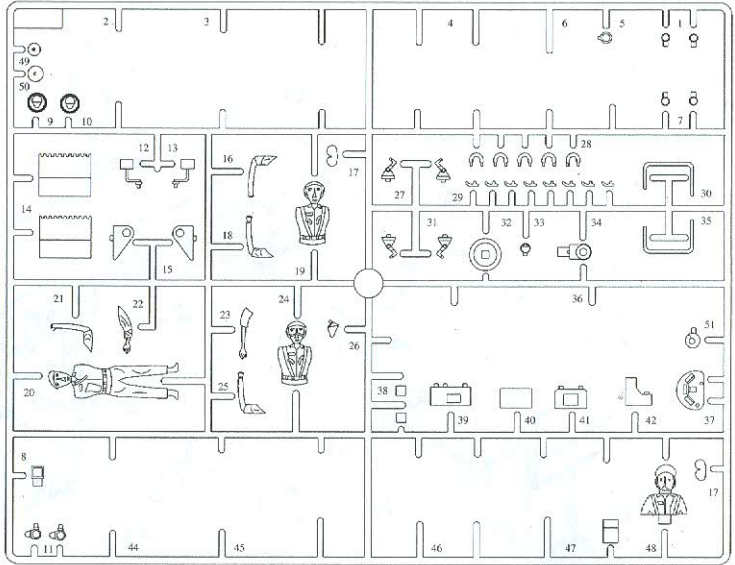
郡仕色使用 Gunze Mr. color used

- | | | | | | |
|--|-------------------|--|-------------------------|--|-------------------|
| | 53 乳黄色 Buff | | 22 深土色 Dark Earth | | 33 消光黑 Flat Black |
| | 62 消光白 Flat White | | 17 暗绿色 Rlm71 Dark Green | | |

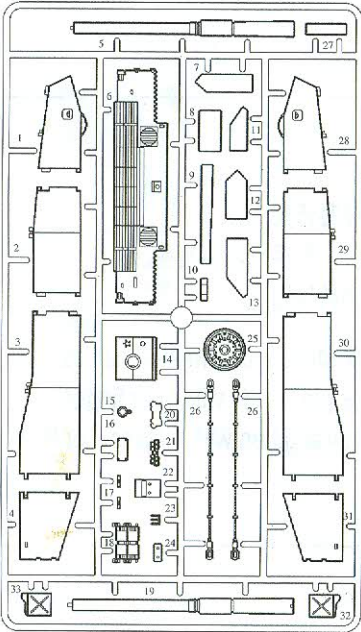
《车体》
Hull



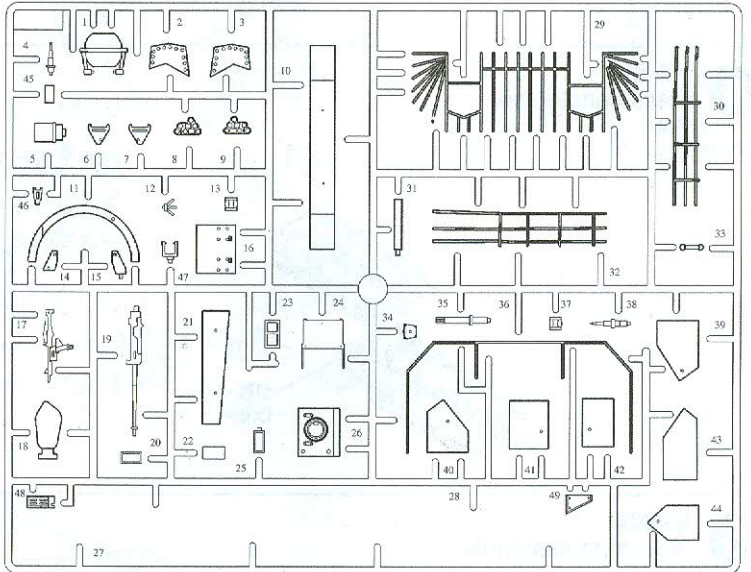
A



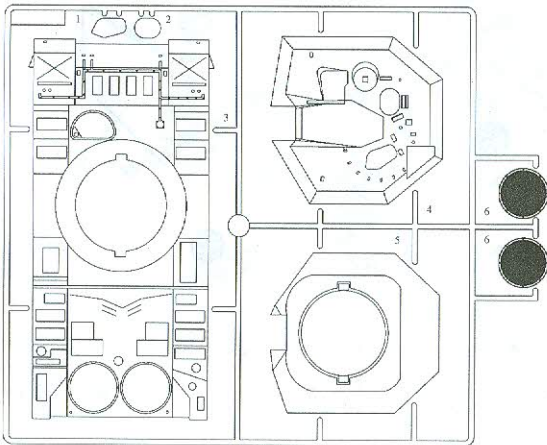
E



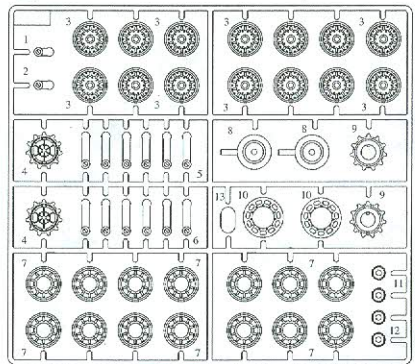
B



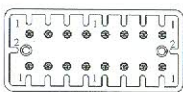
C



D



G



不用部件:

Not parts:
A2, A3, A4, A5, A6, A36, A44, A45, A46, A47
B26, B27, B28,

