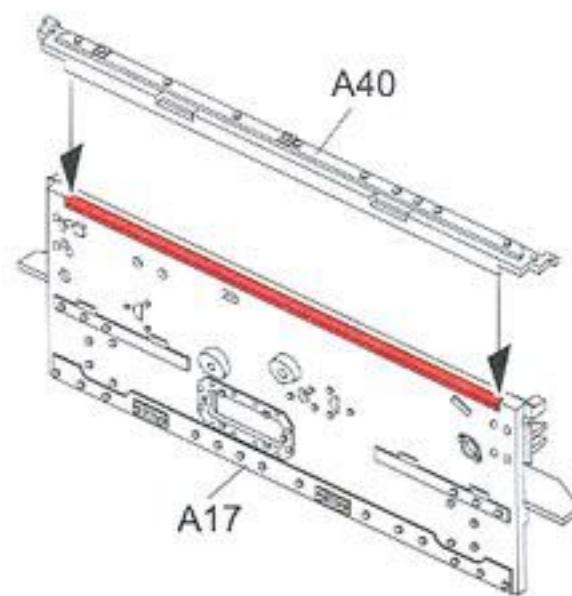
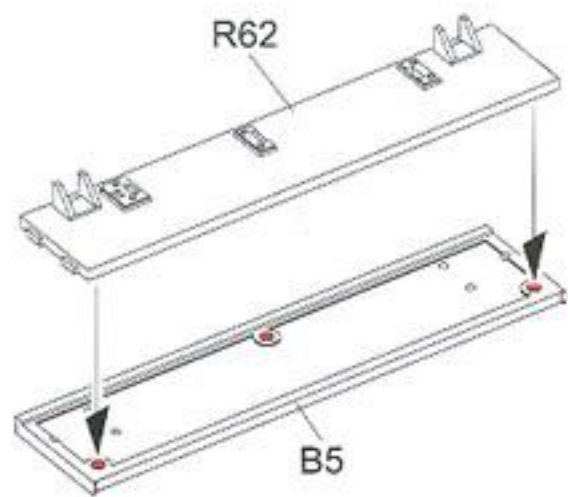
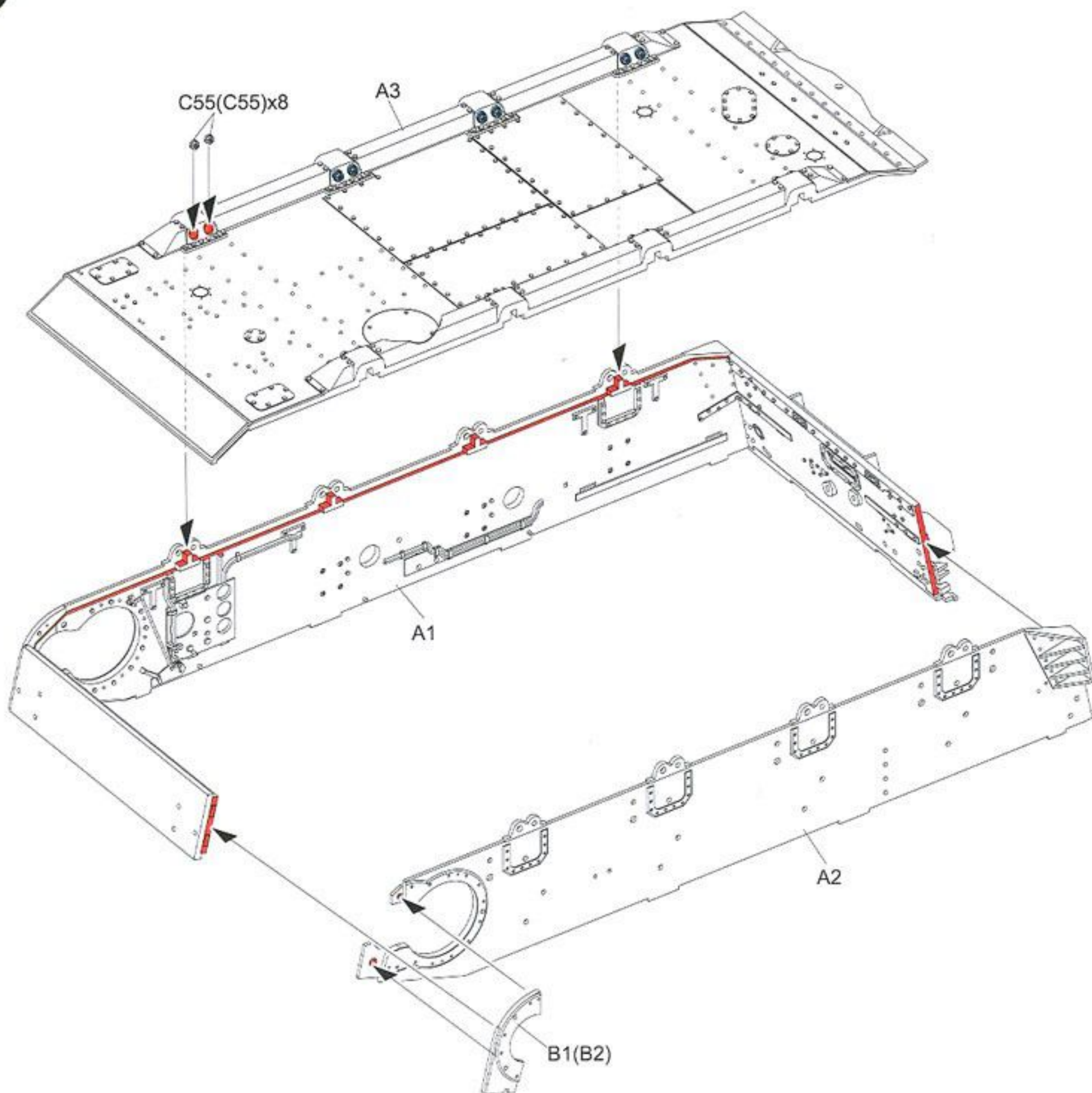


1



2



3

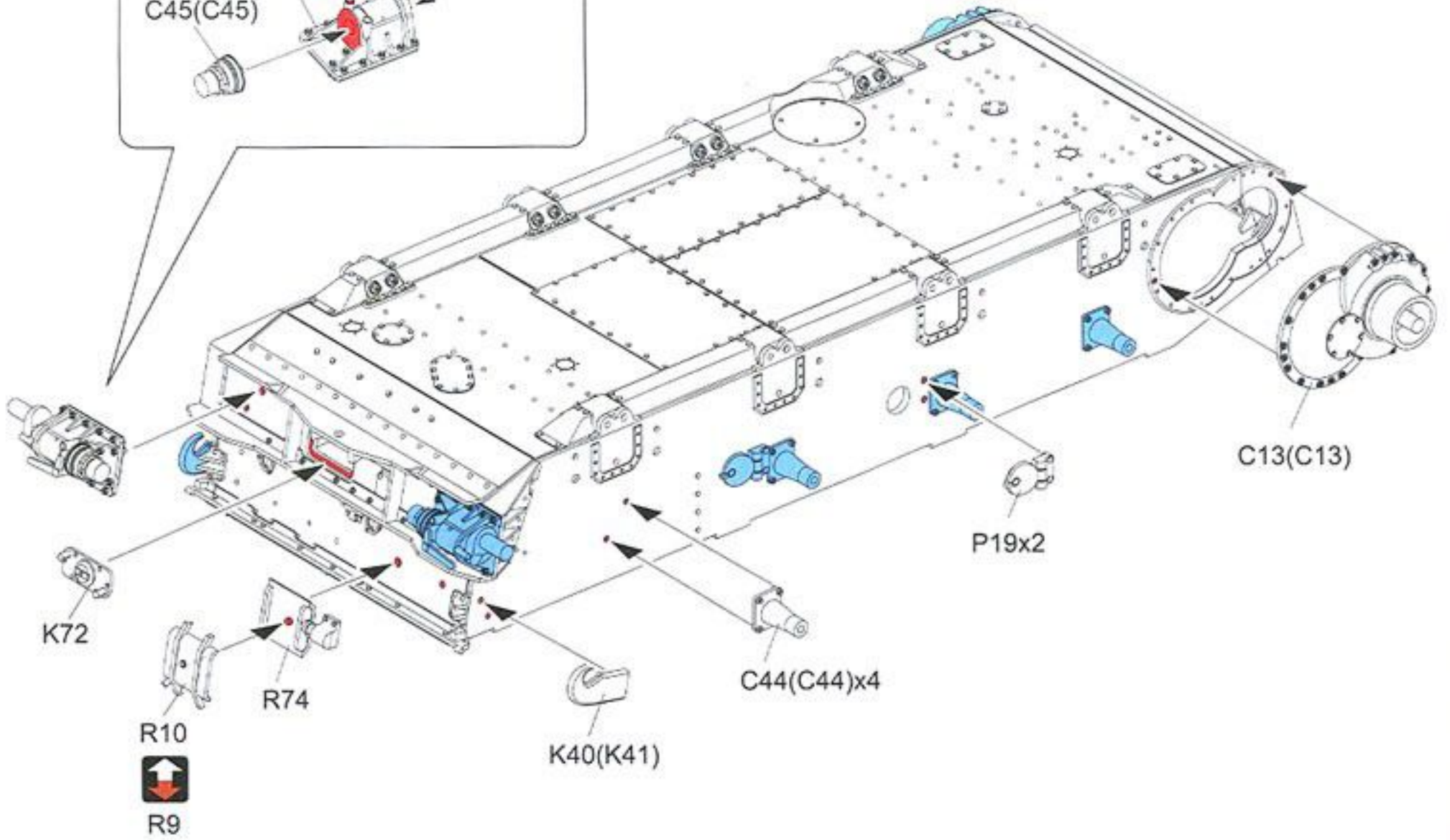
MAKE 2
制作2组

K88(K87)

A35(A36)

A13(A14)

C45(C45)



4

K107

K105

R35

R72

R68(R68)

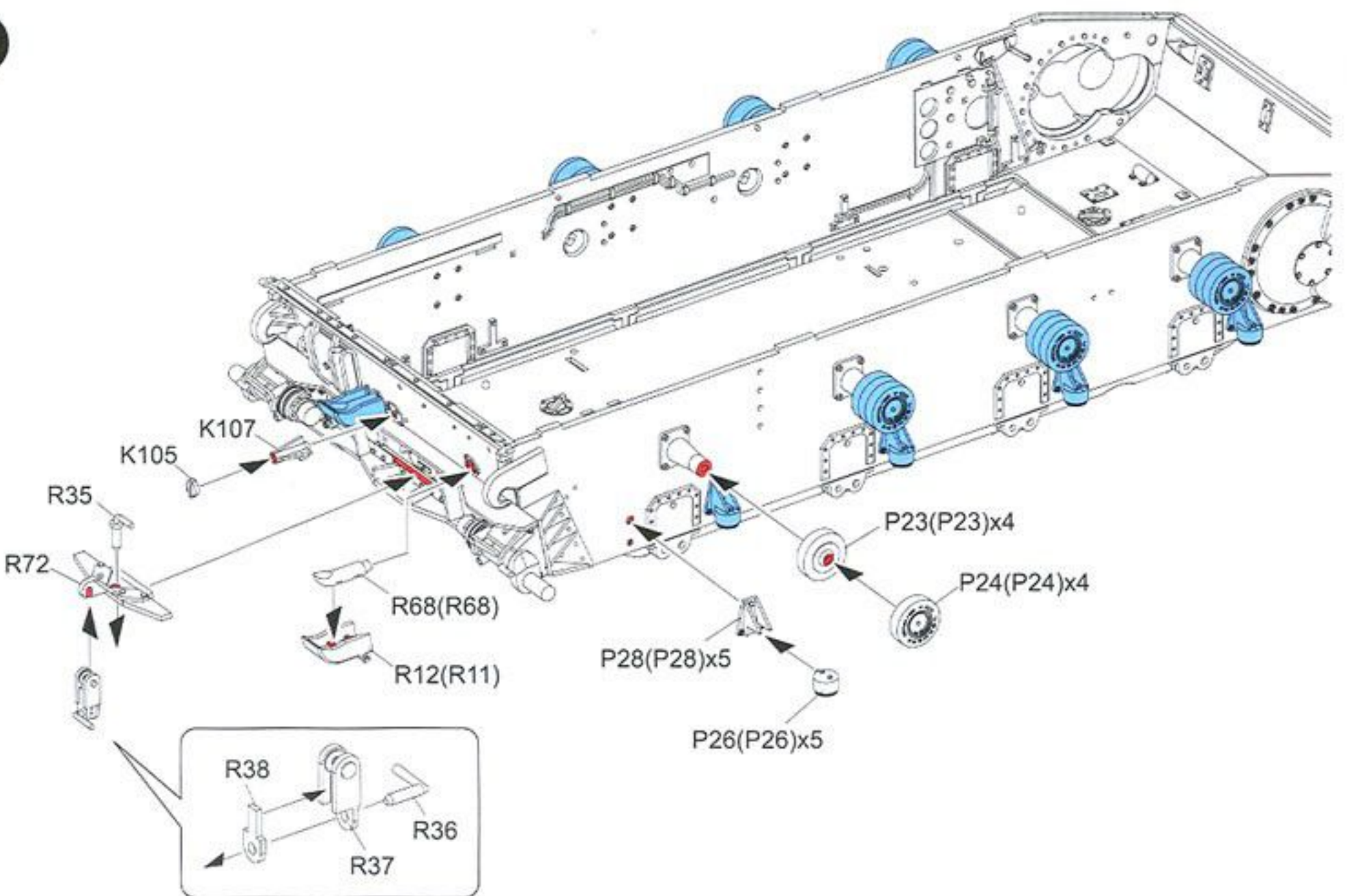
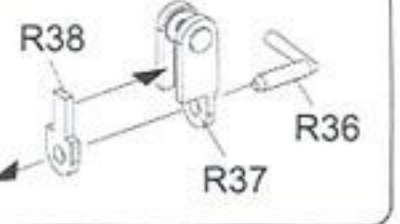
R12(R11)

P28(P28)x5

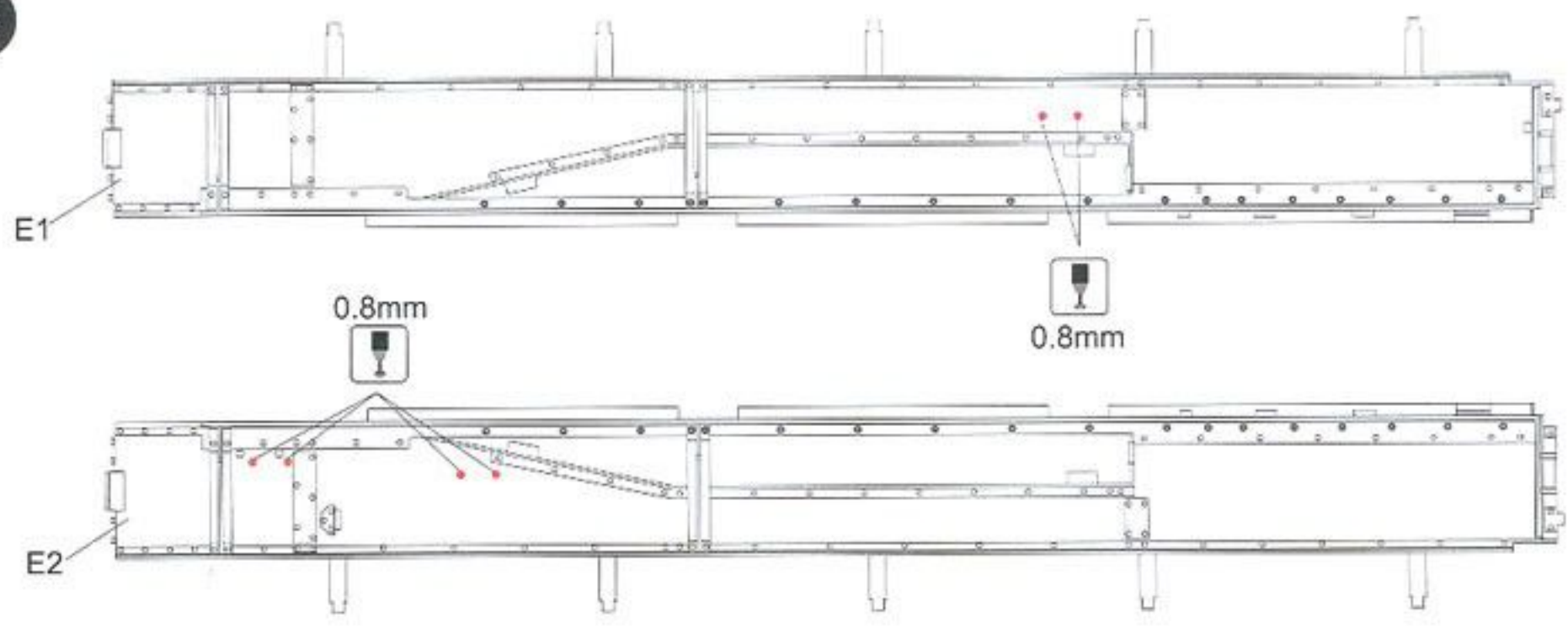
P26(P26)x5

P23(P23)x4

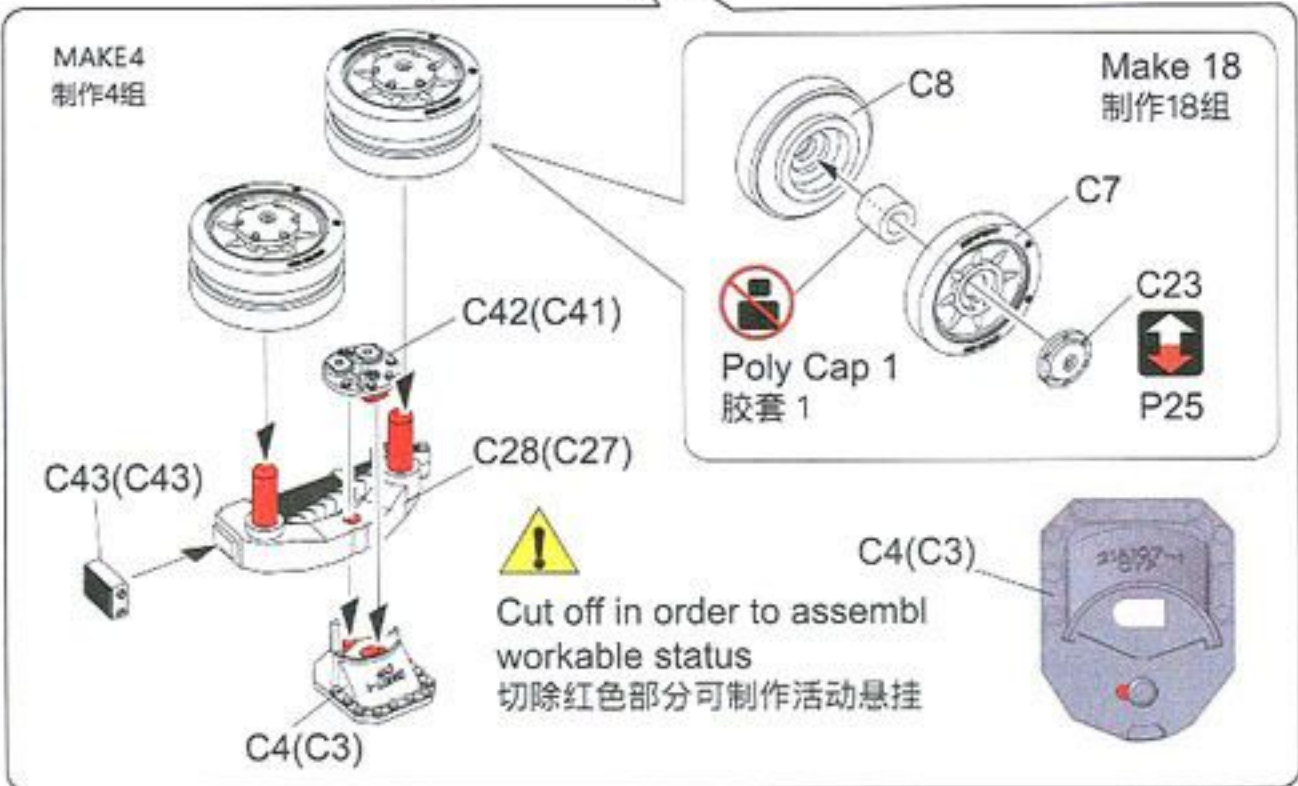
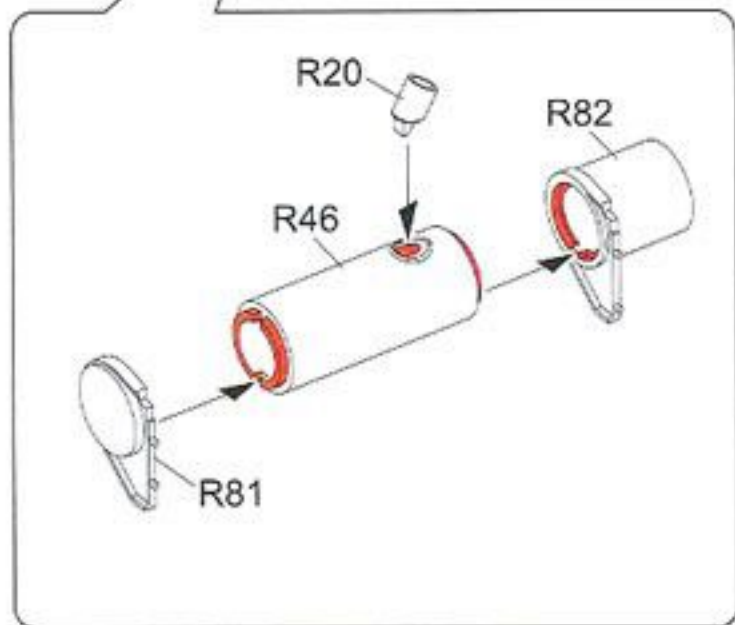
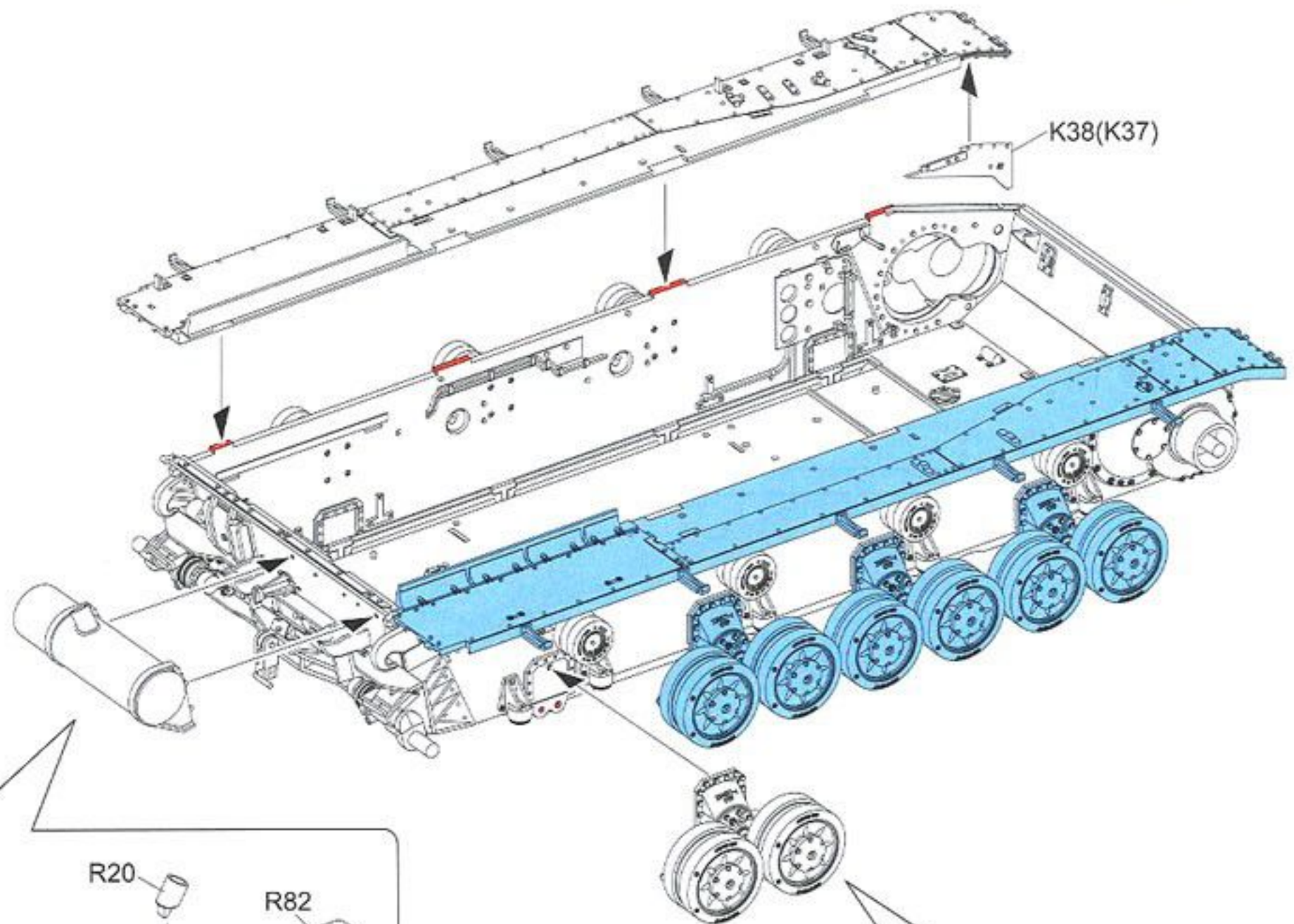
P24(P24)x4



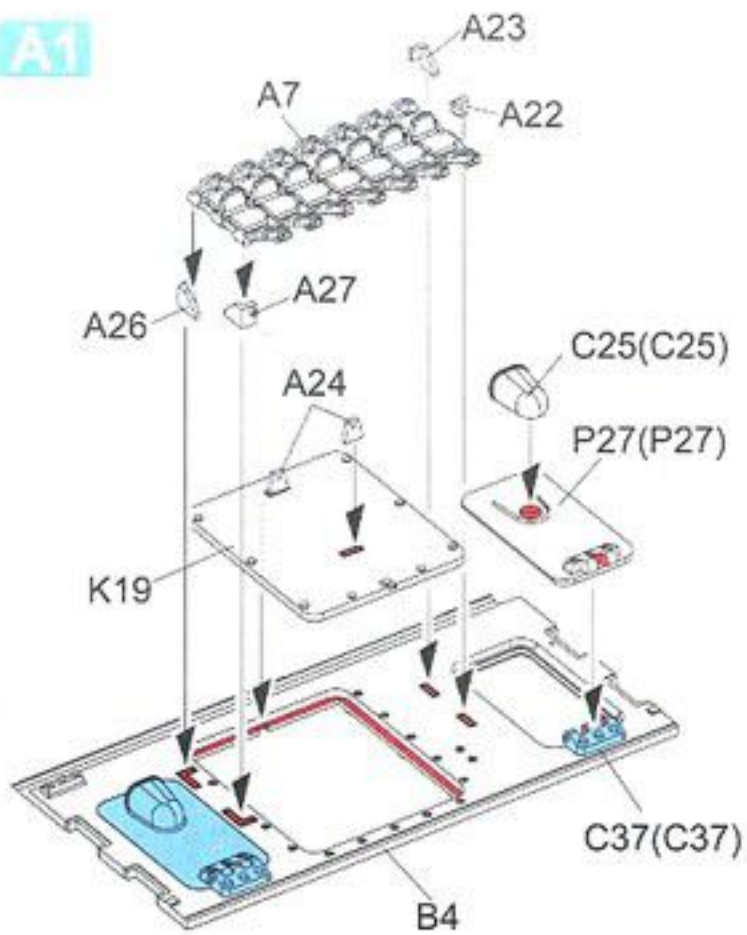
5



6



A1

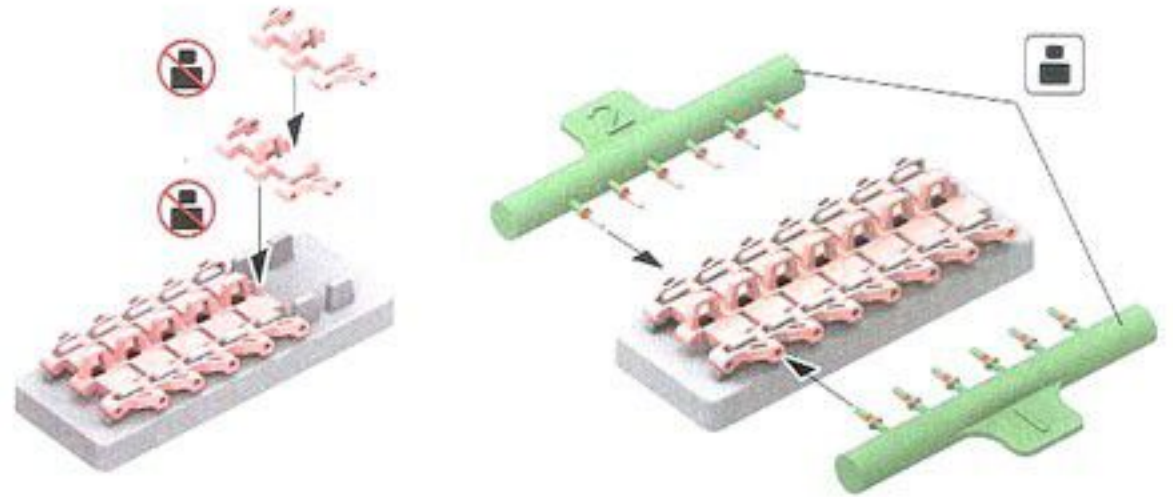


A2

MAKE 2
制作2组

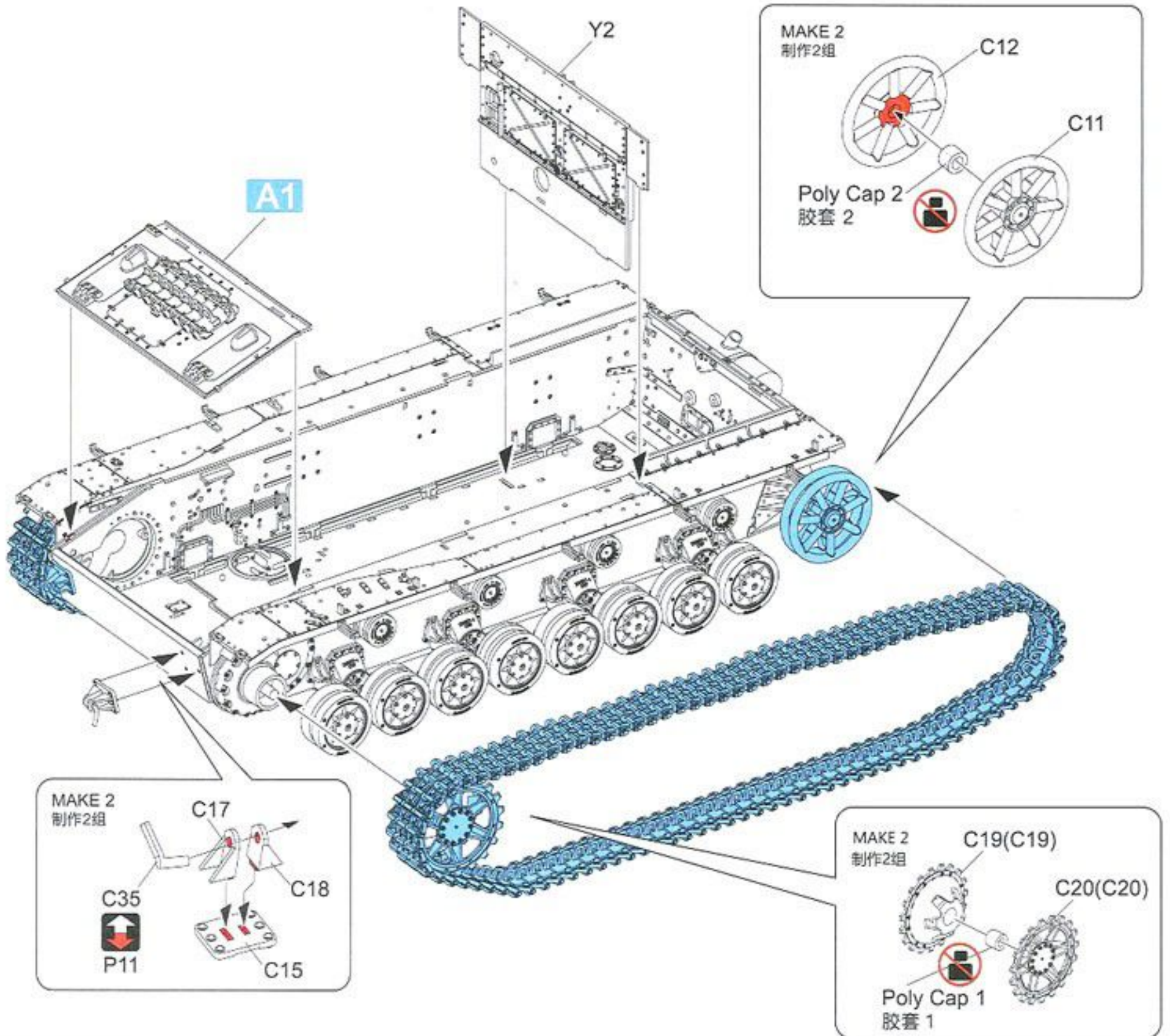
98 pieces per side
每侧98节

Use the cement only on the red parts to ensure that the track can workable.
仅在红色部分上使用胶水以确保履带的活动性。

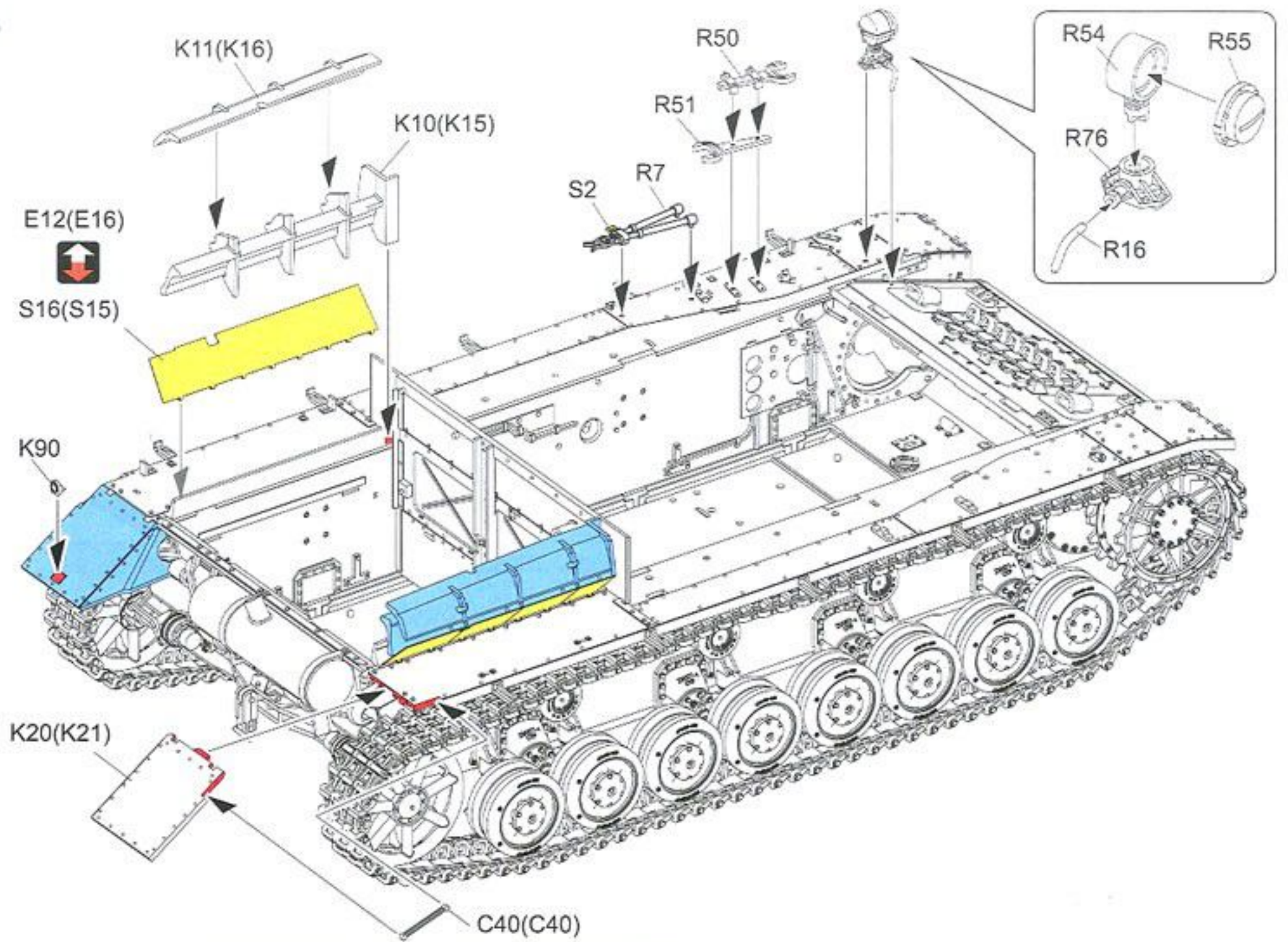


7

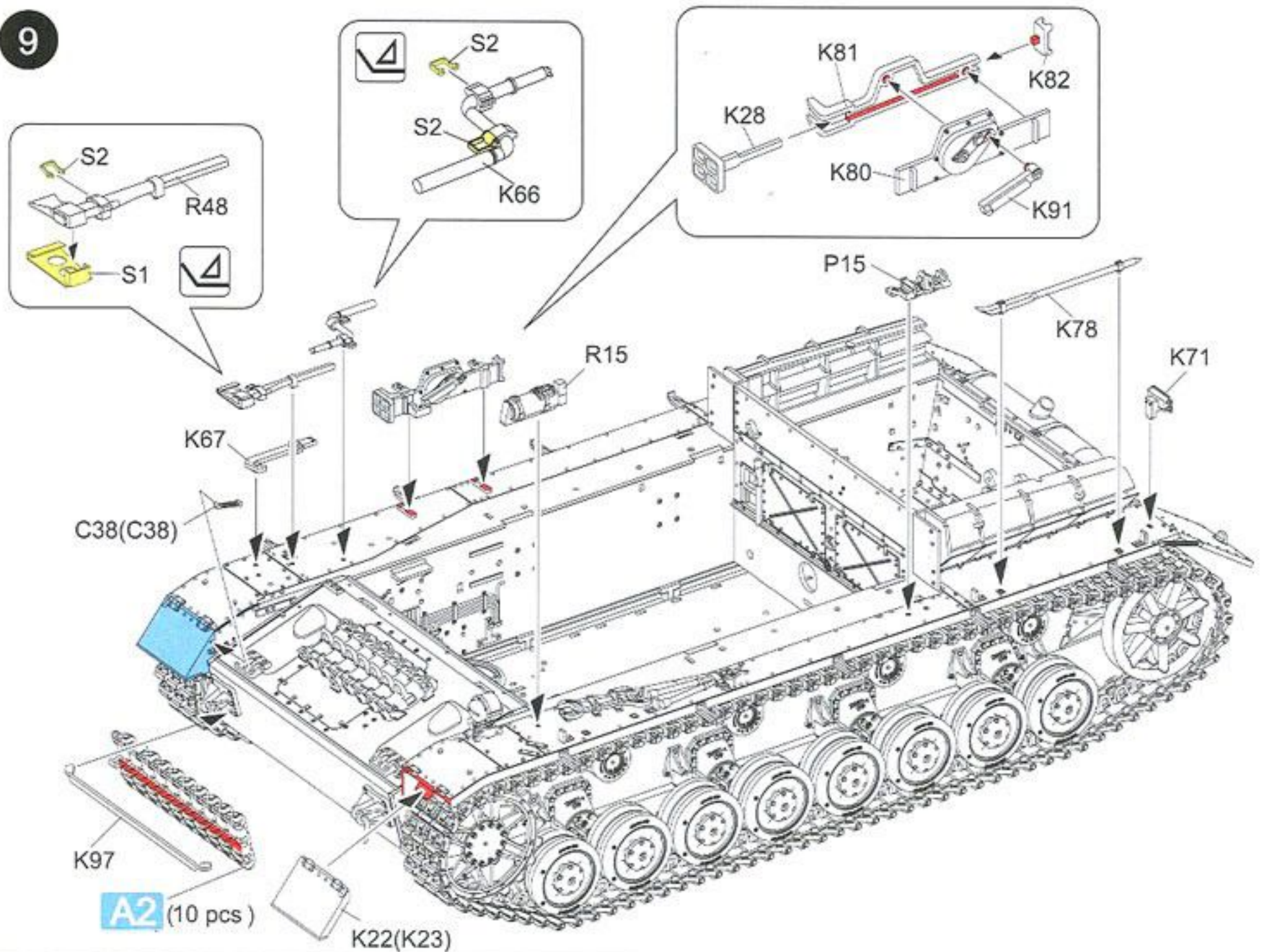
Assembly for the engine parts please see pages 19 to 20
发动机组件的装配步骤,请参考第19,20页。



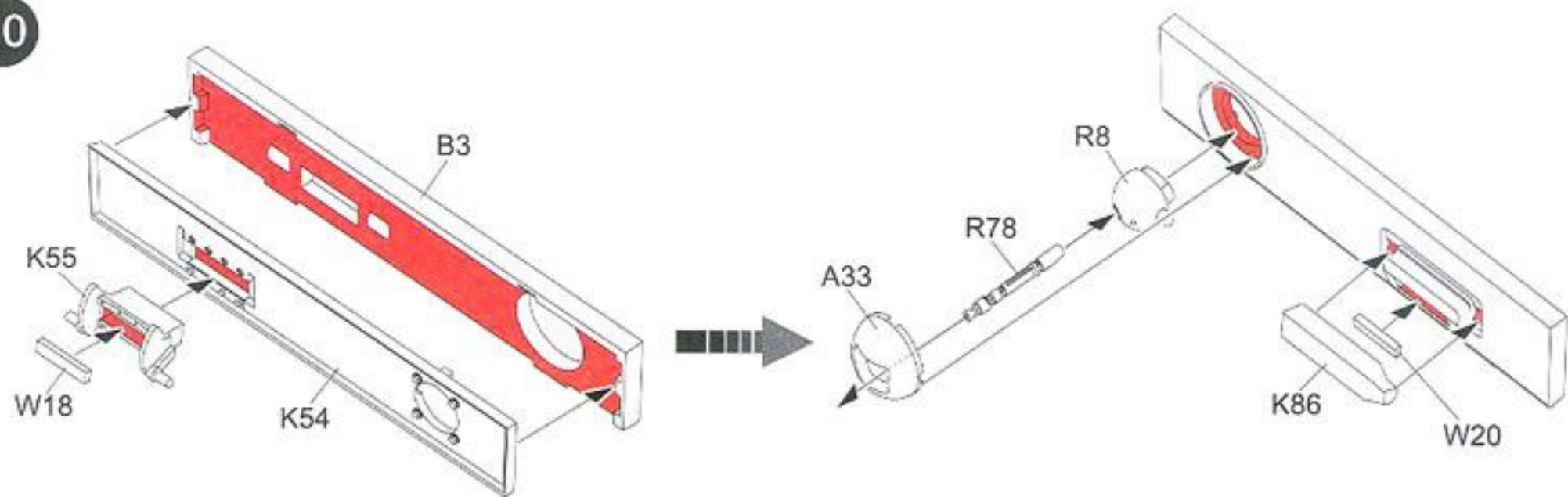
8



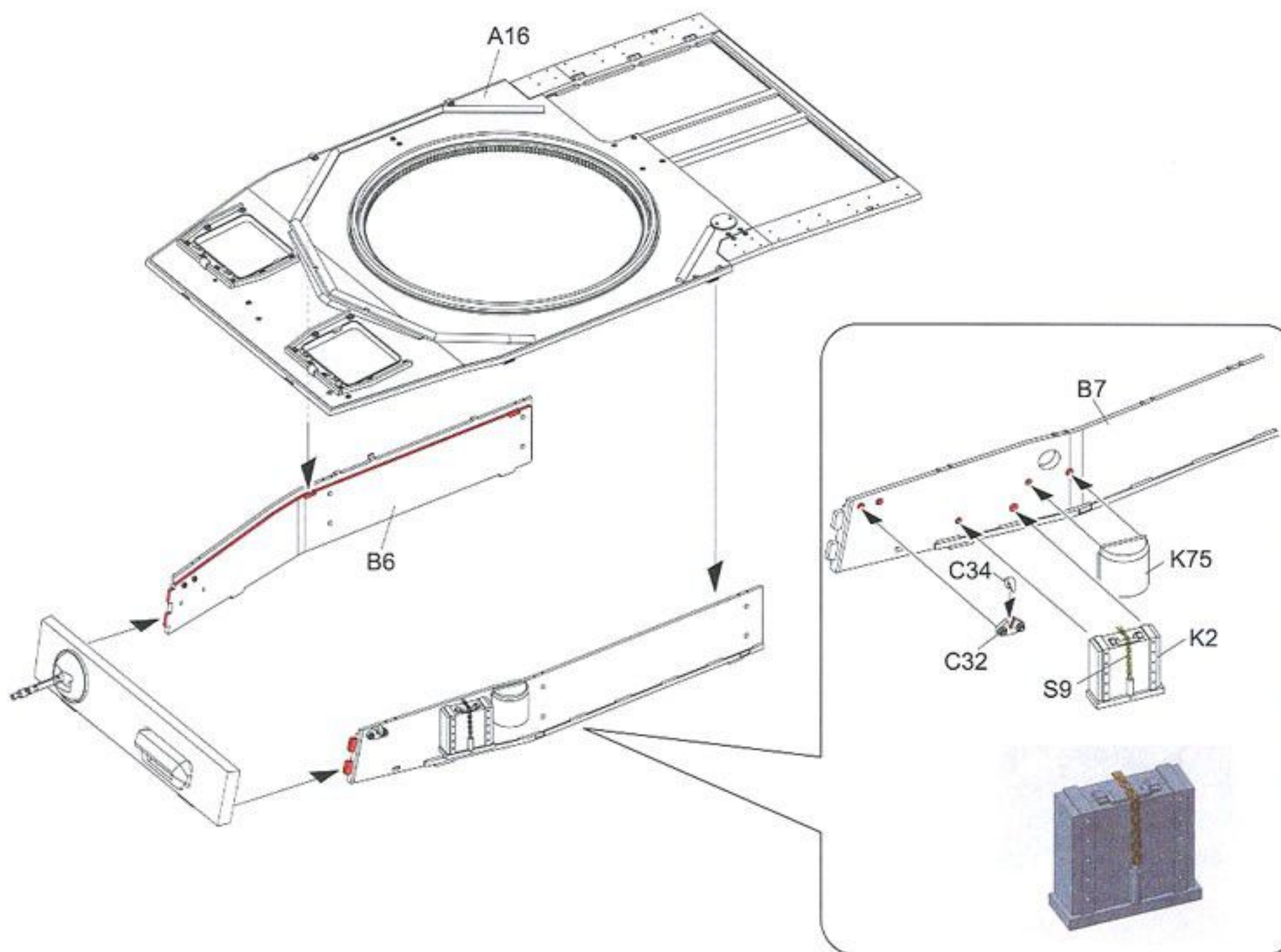
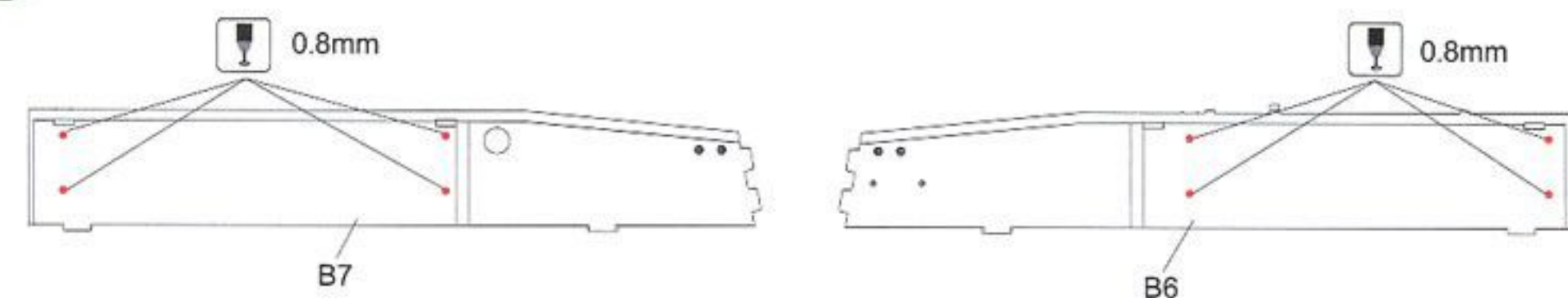
9



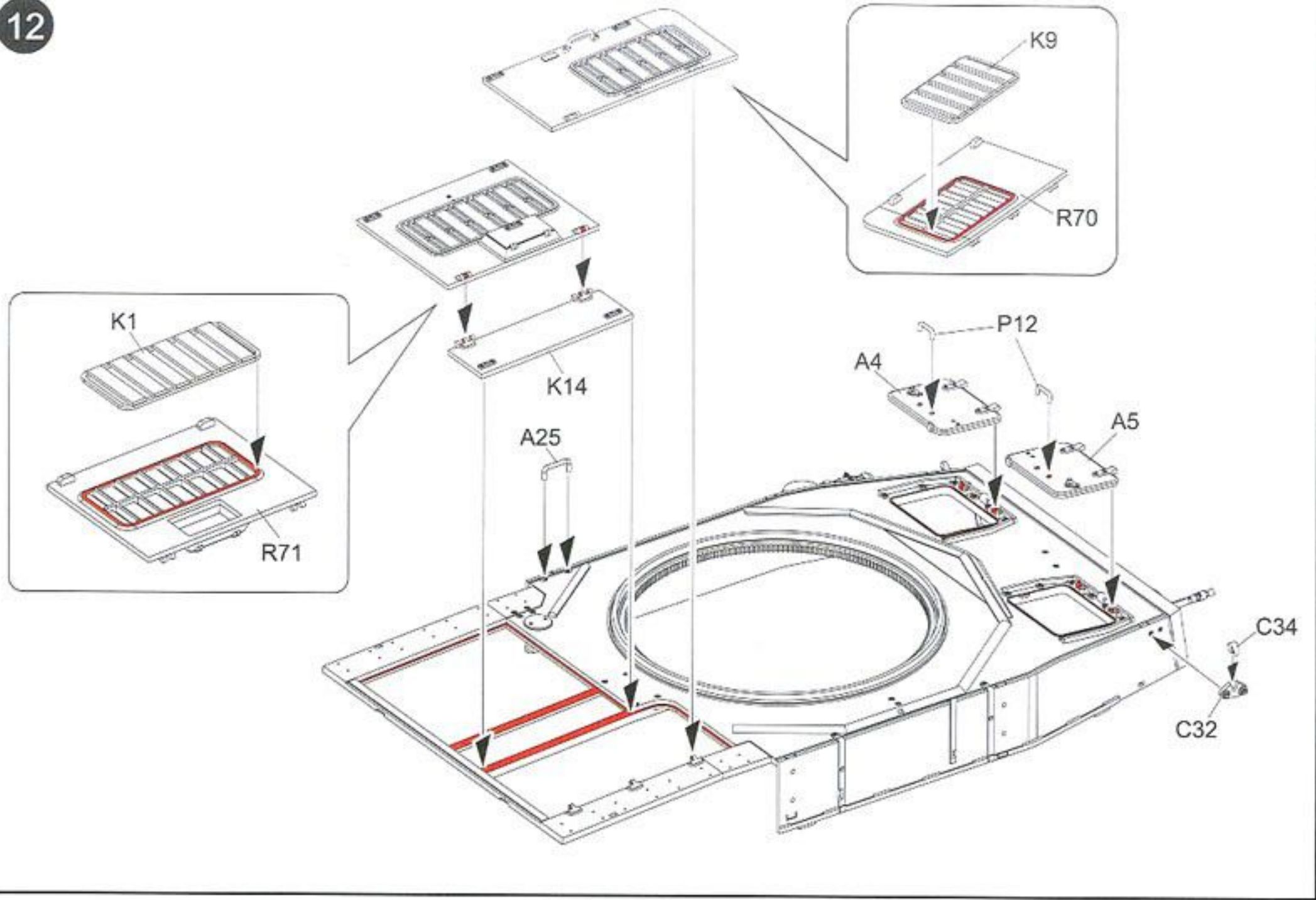
10



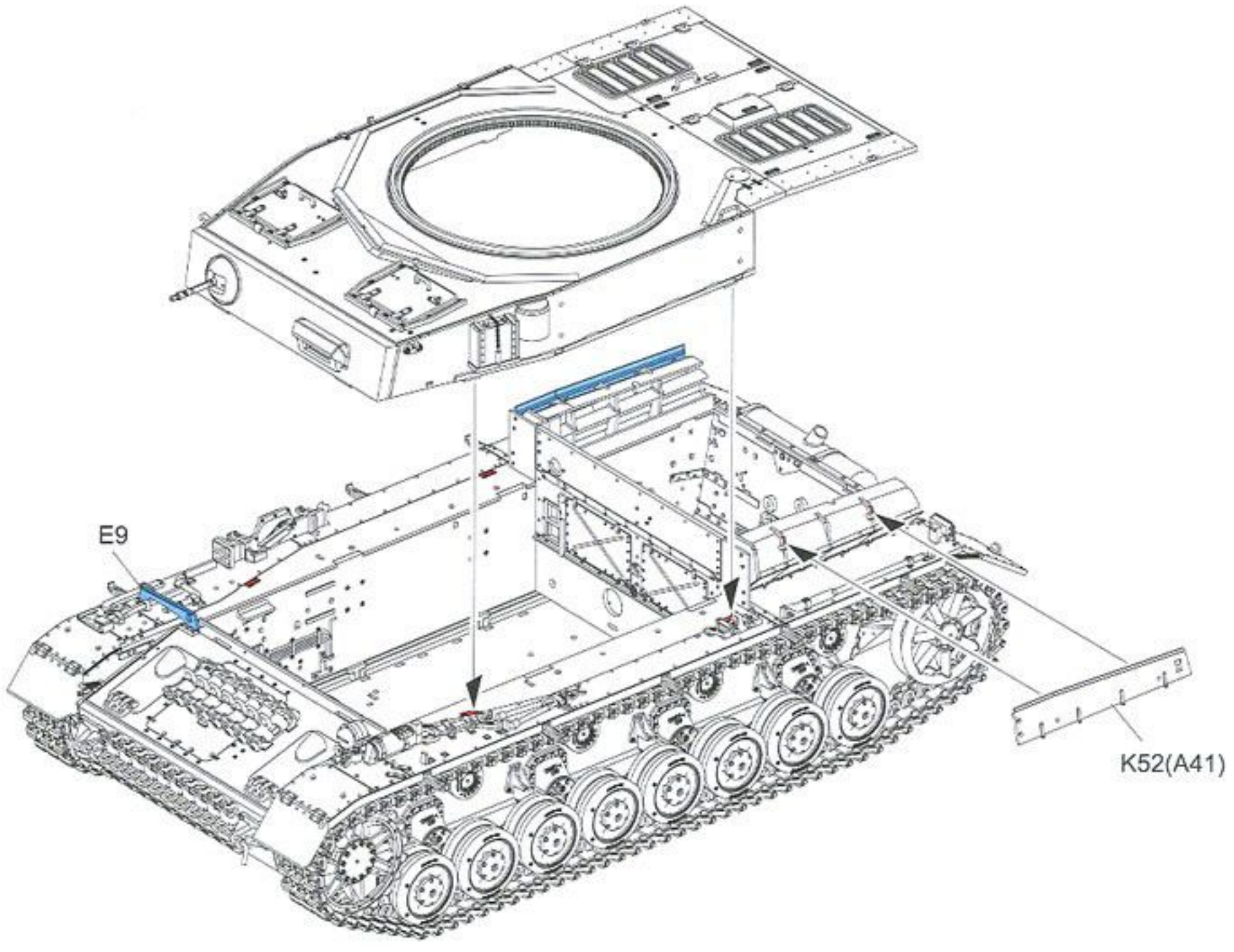
11



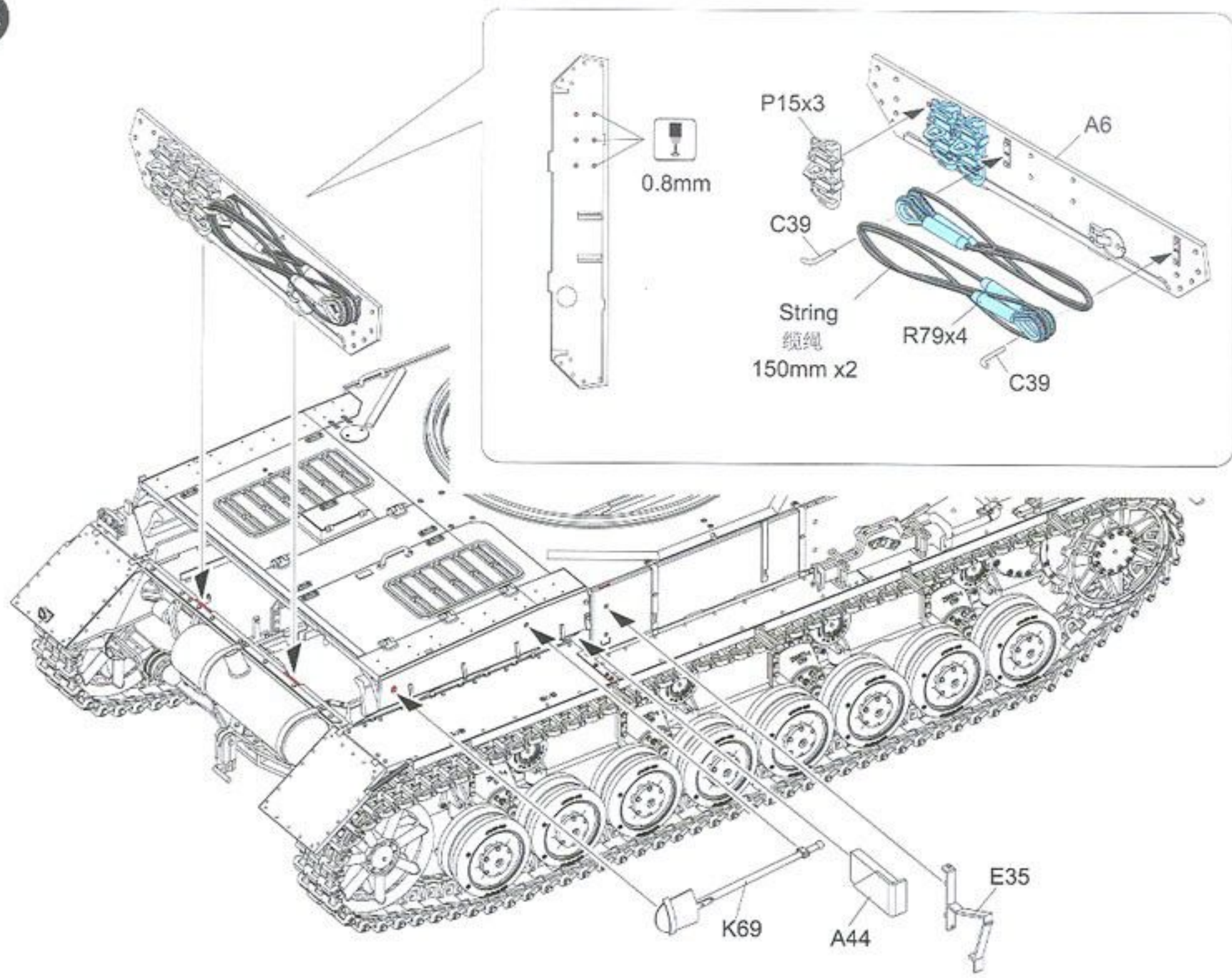
12



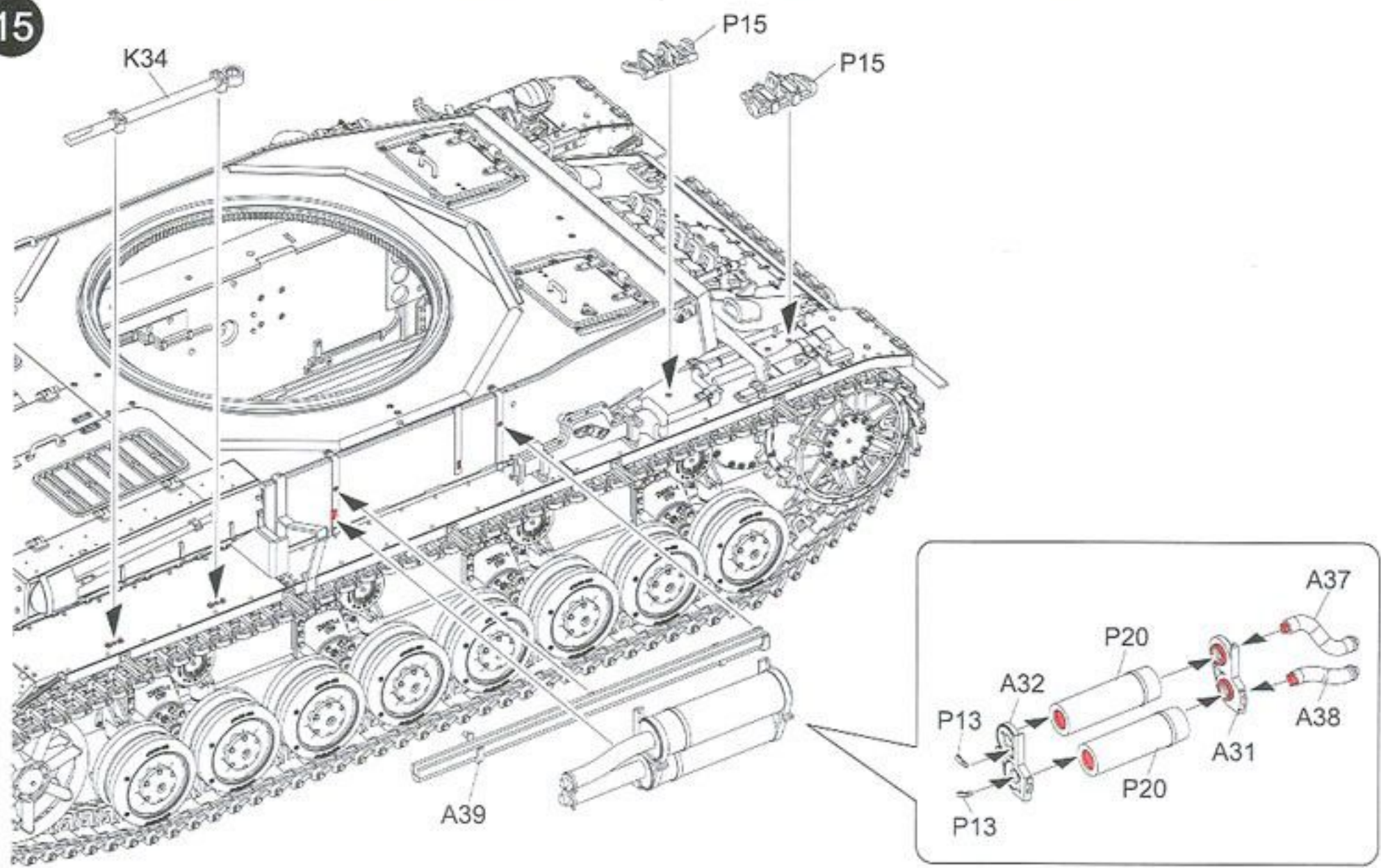
13



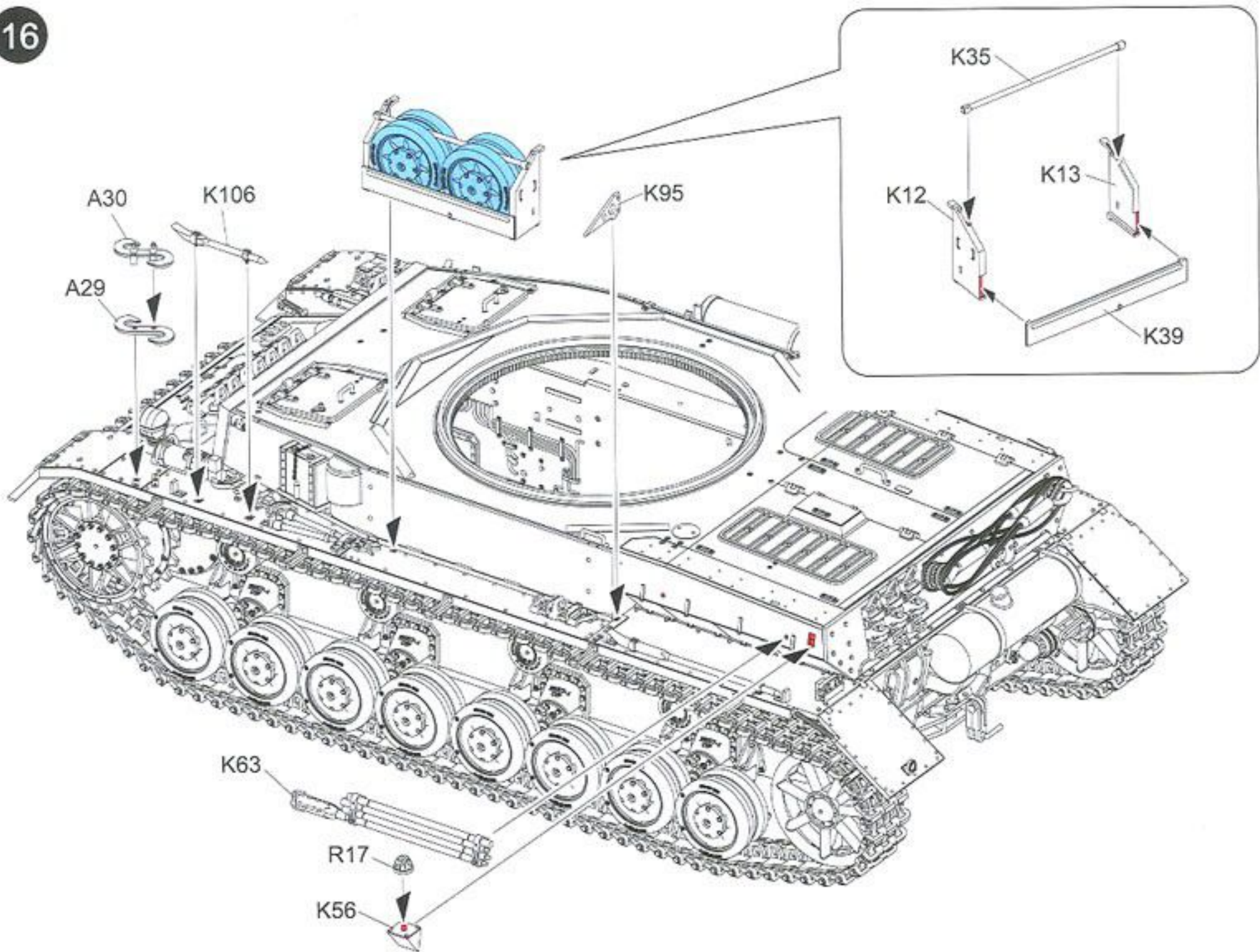
14



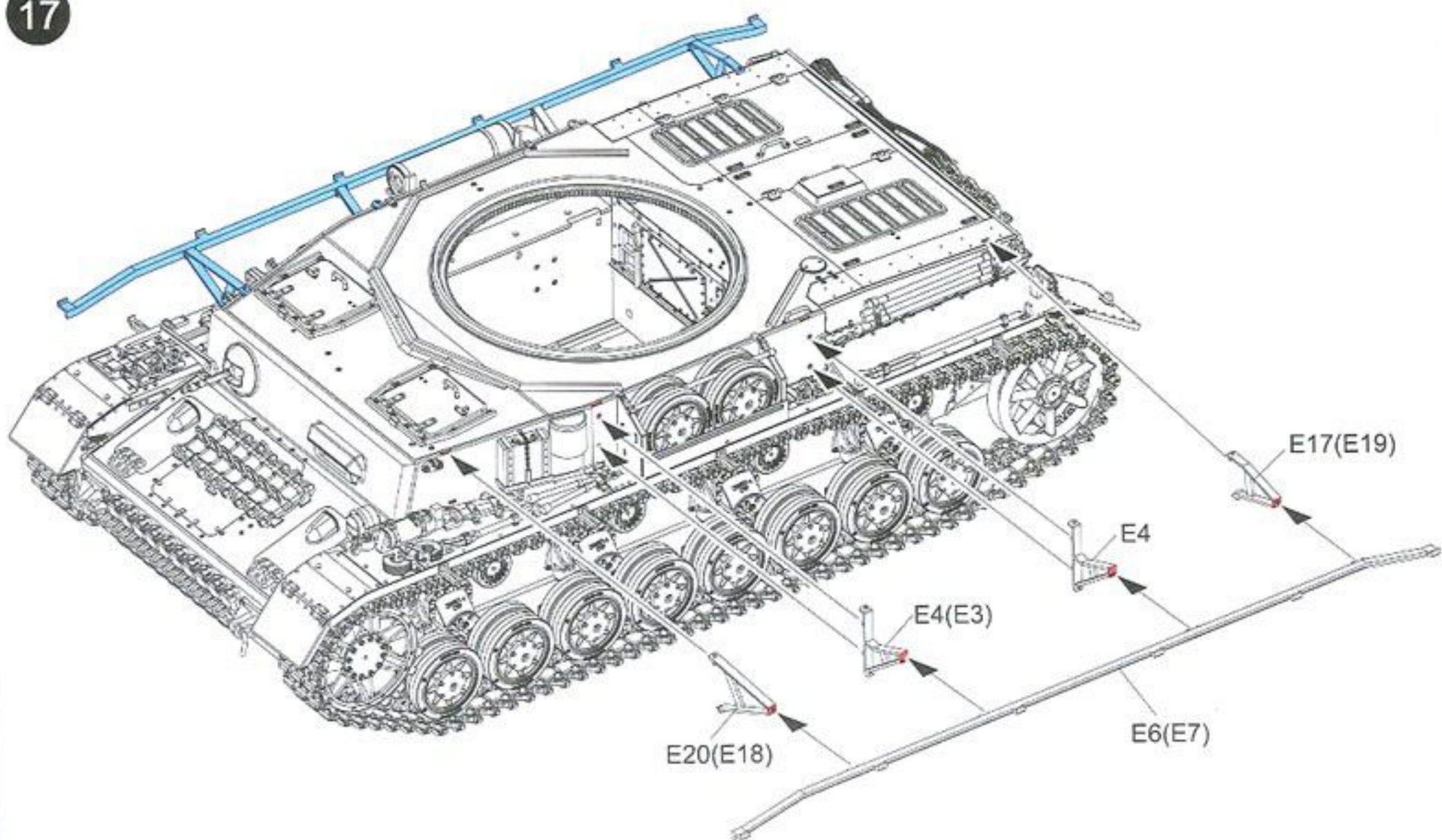
15



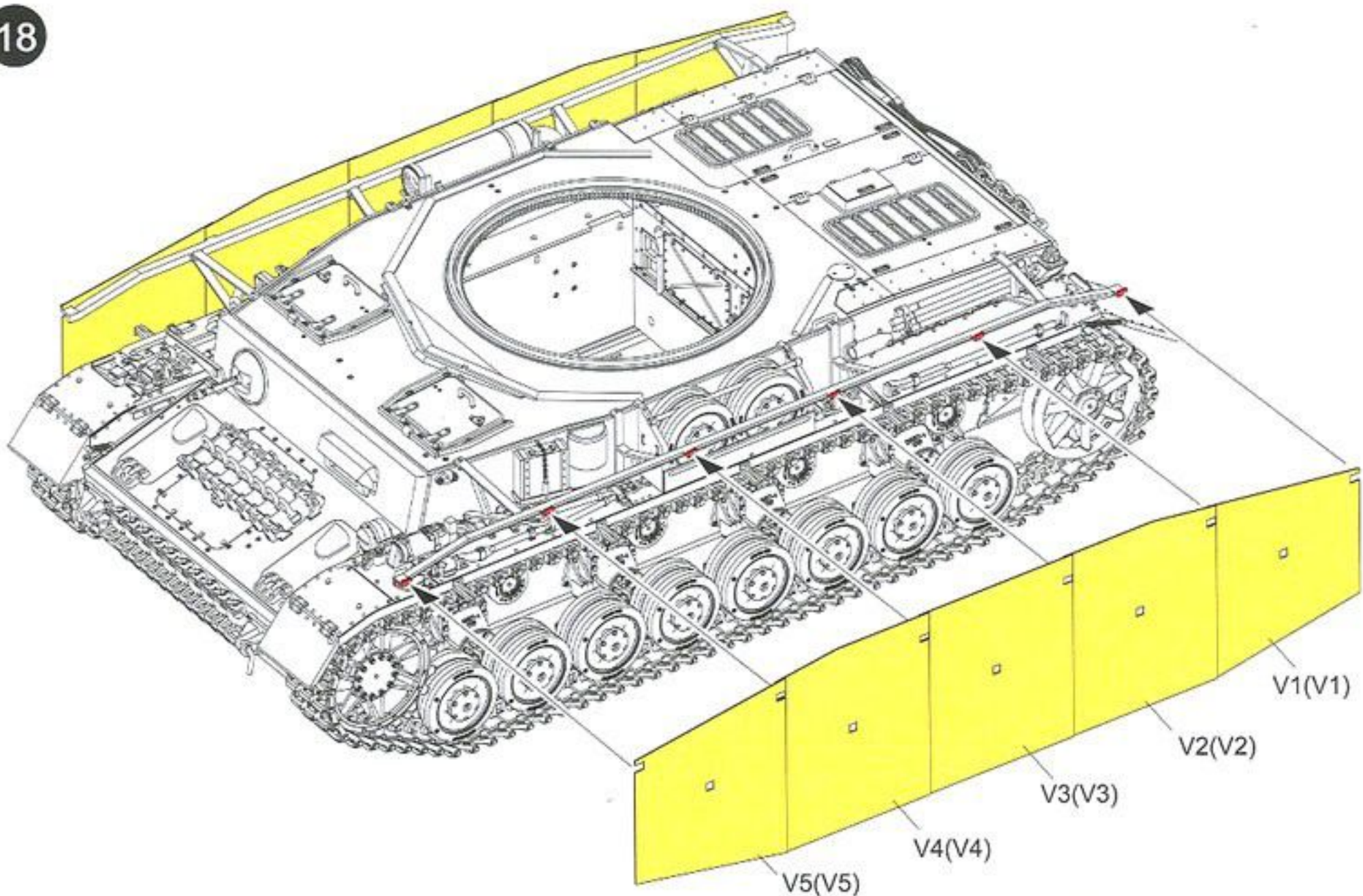
16



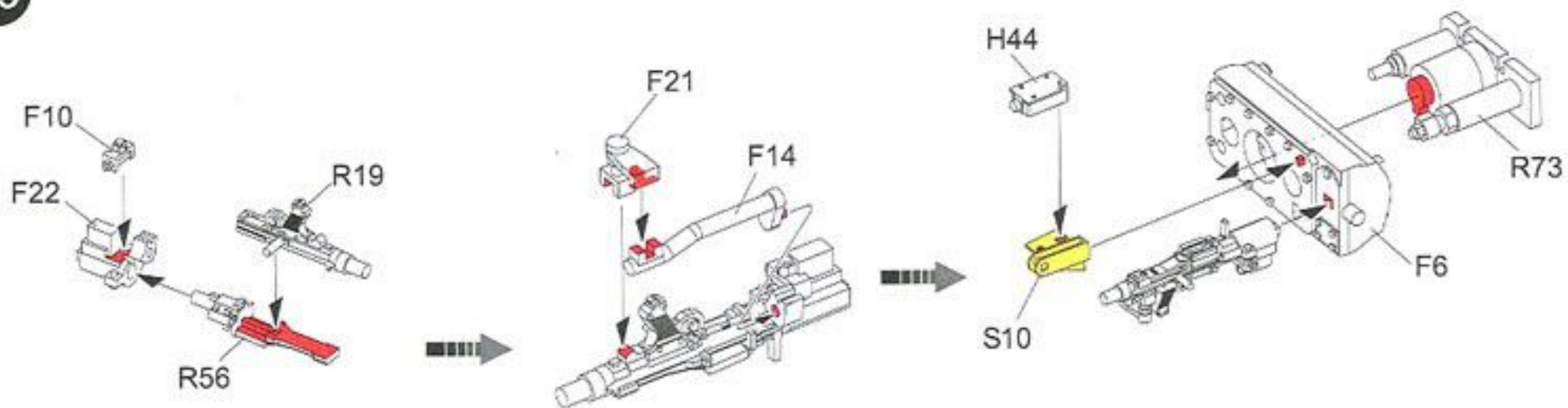
17



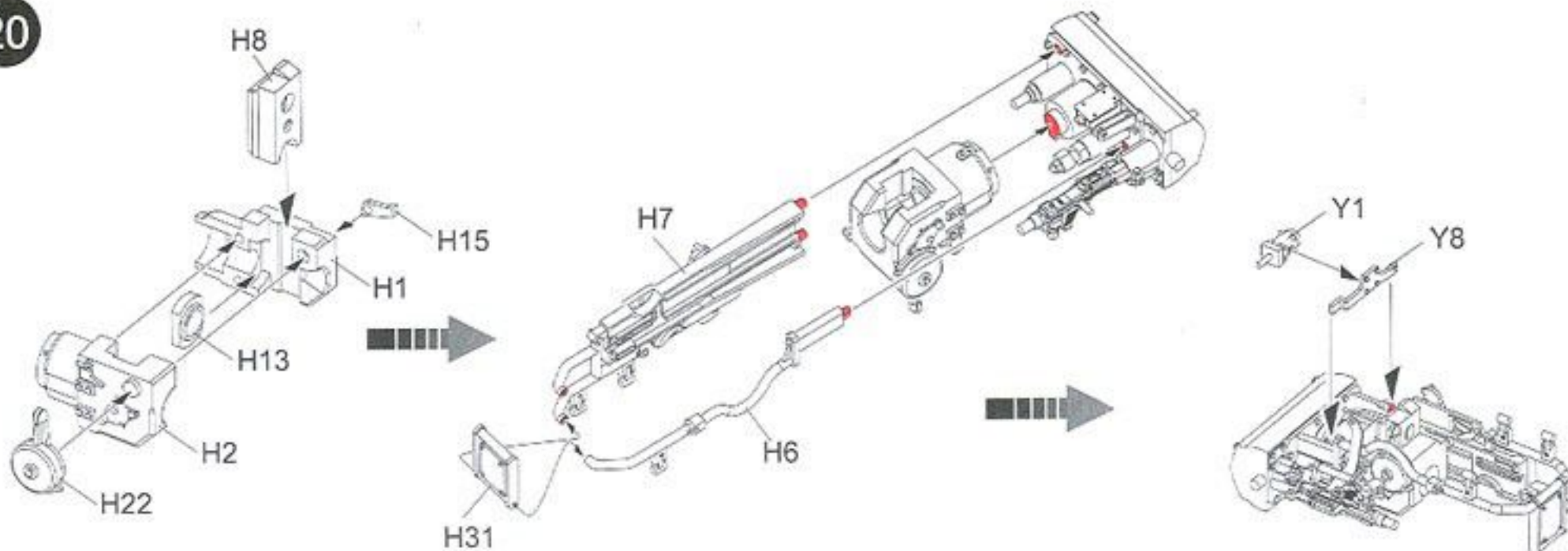
18



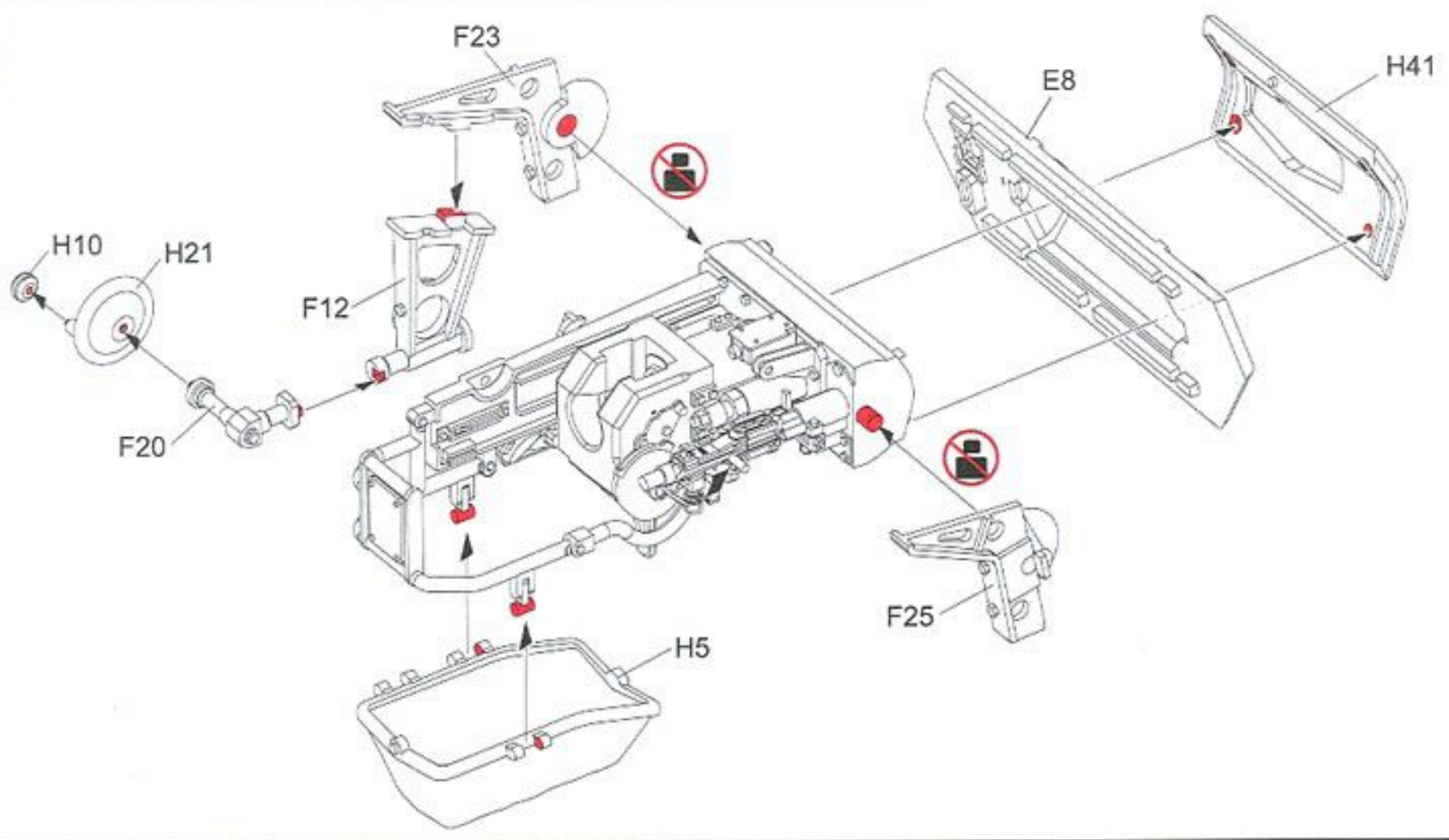
19



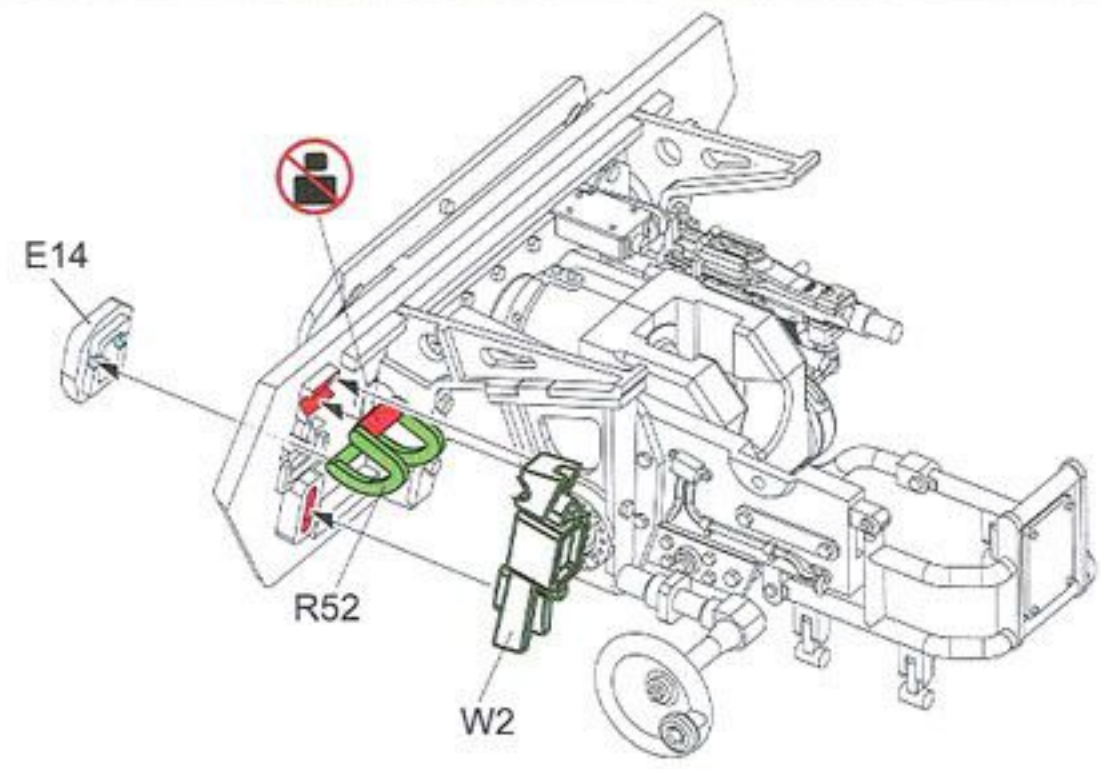
20



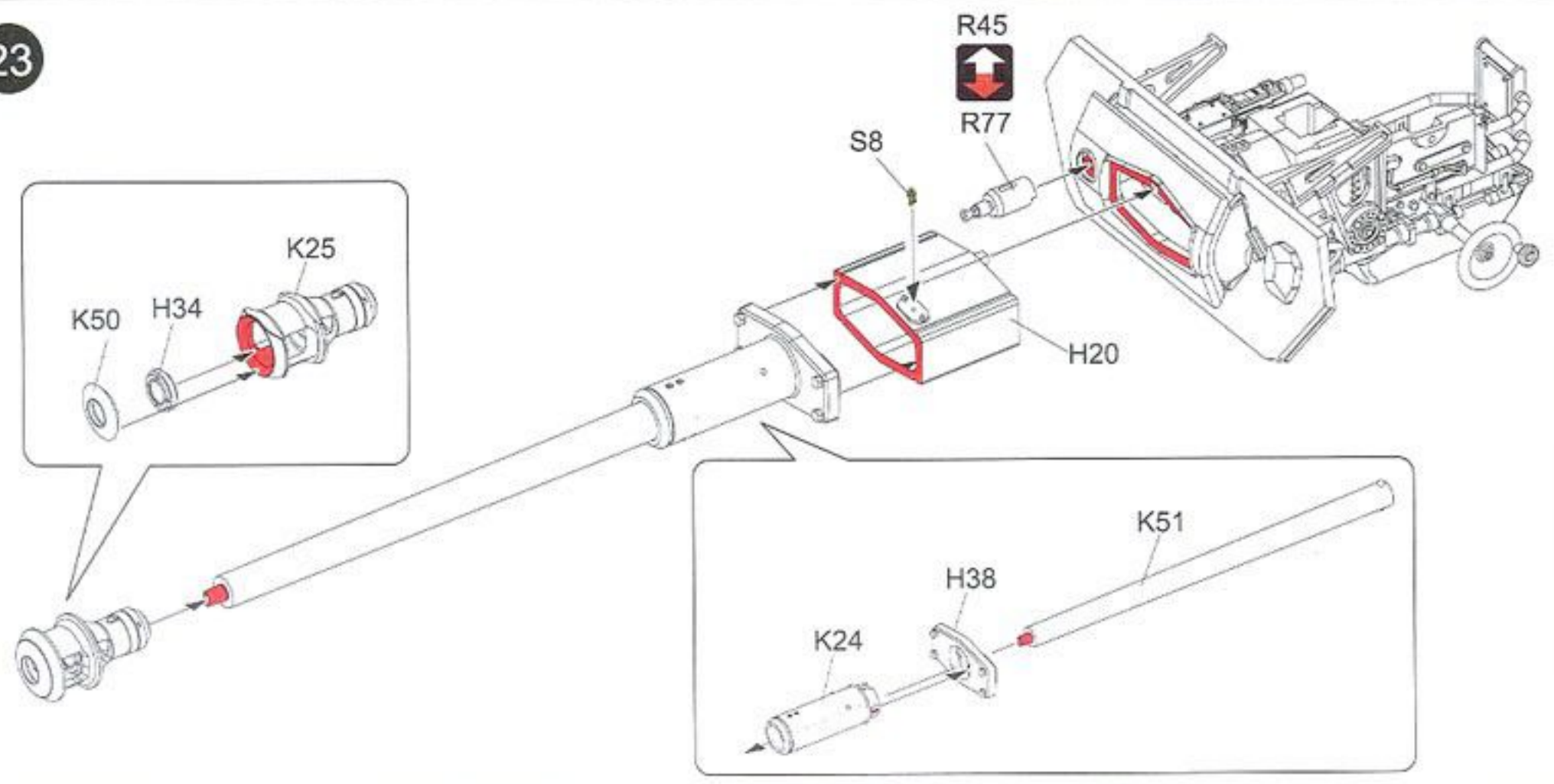
21



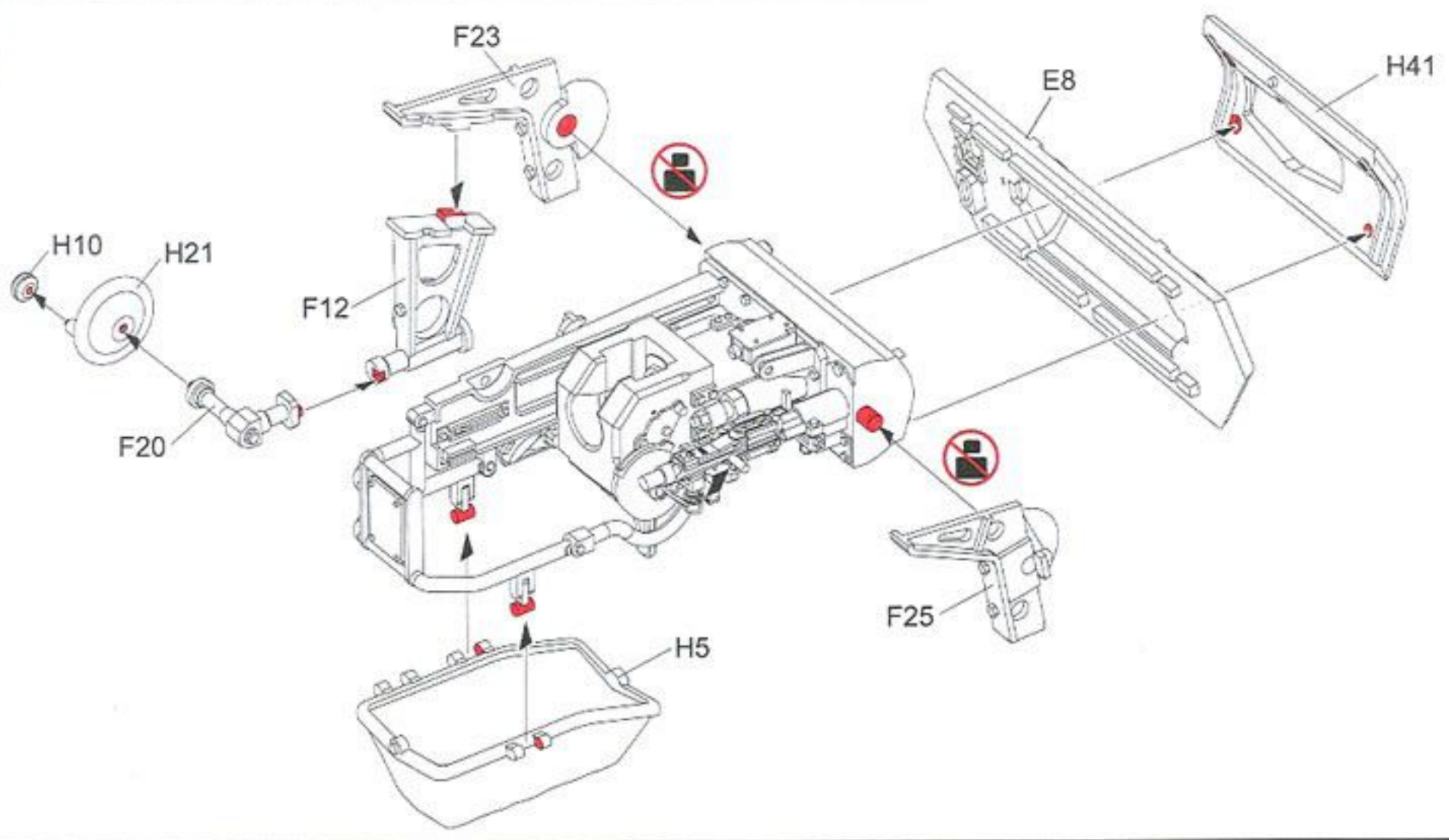
22



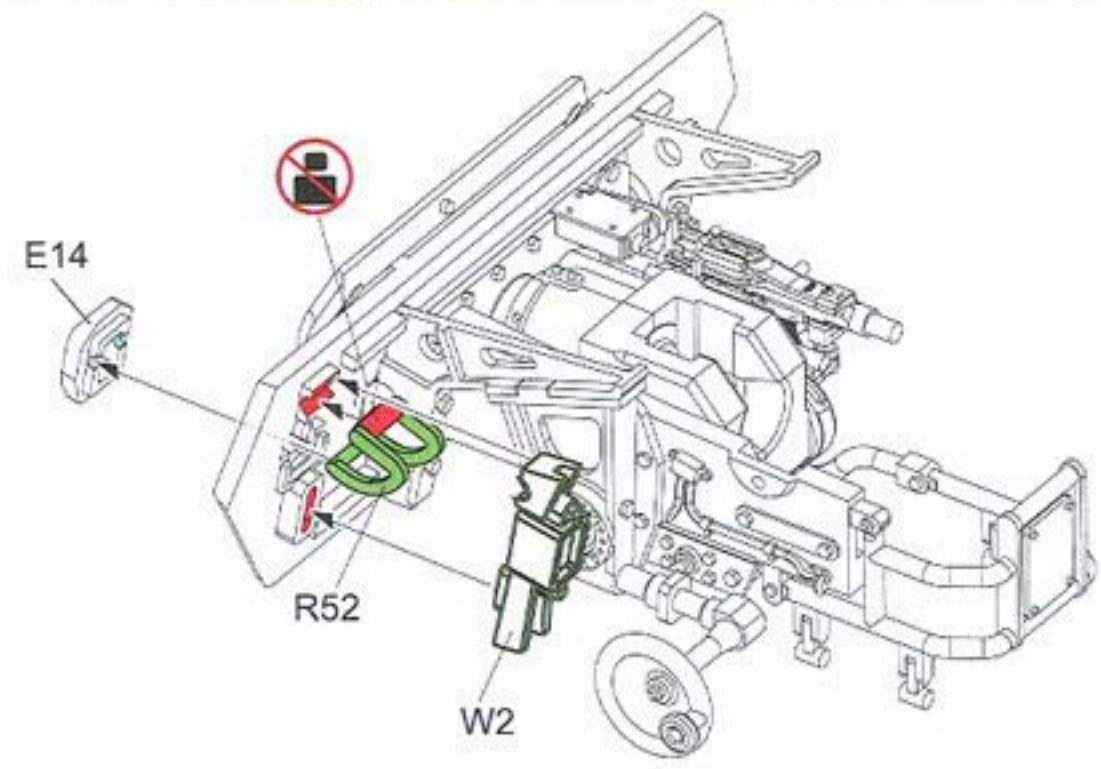
23



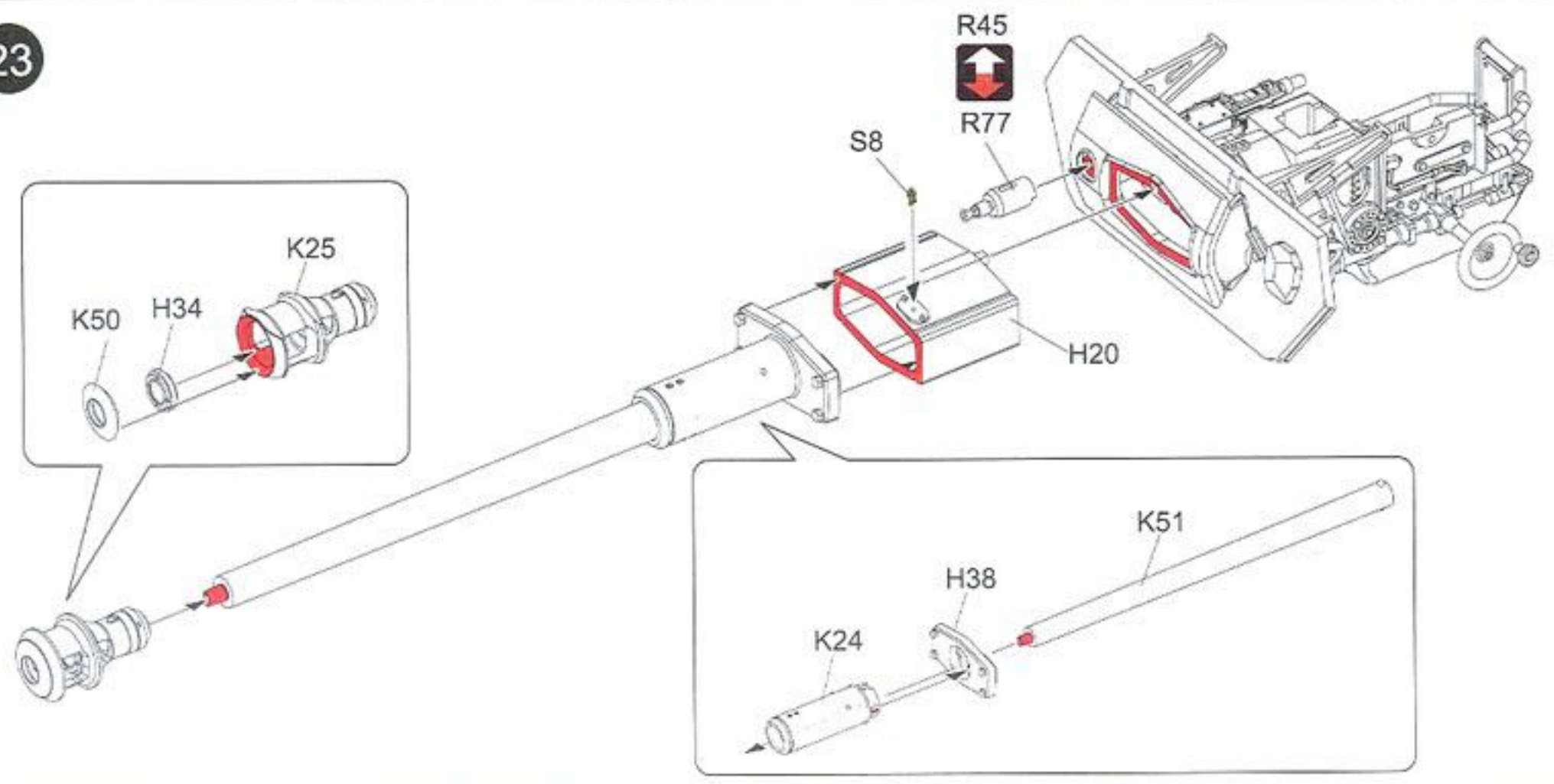
21



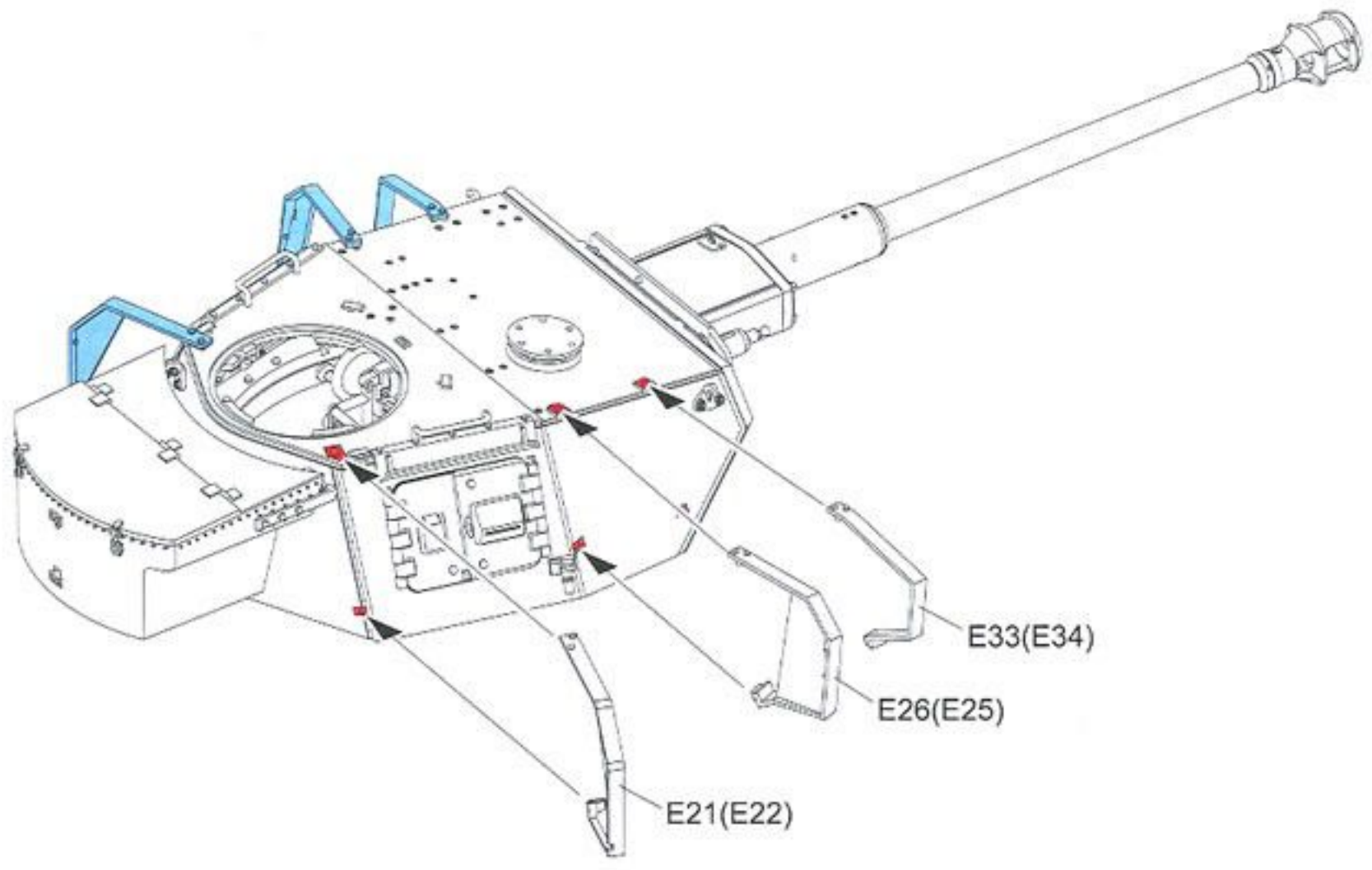
22



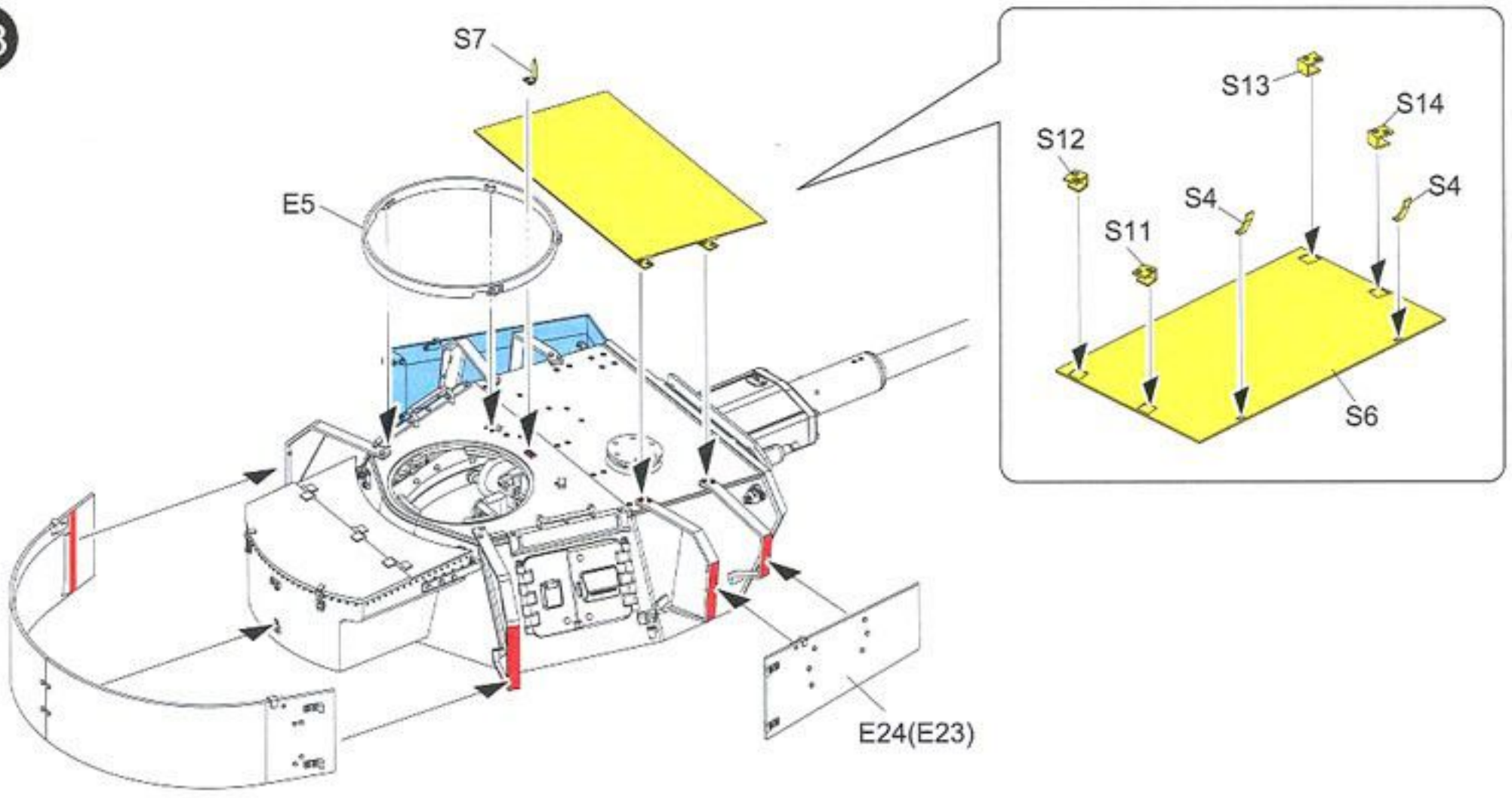
23



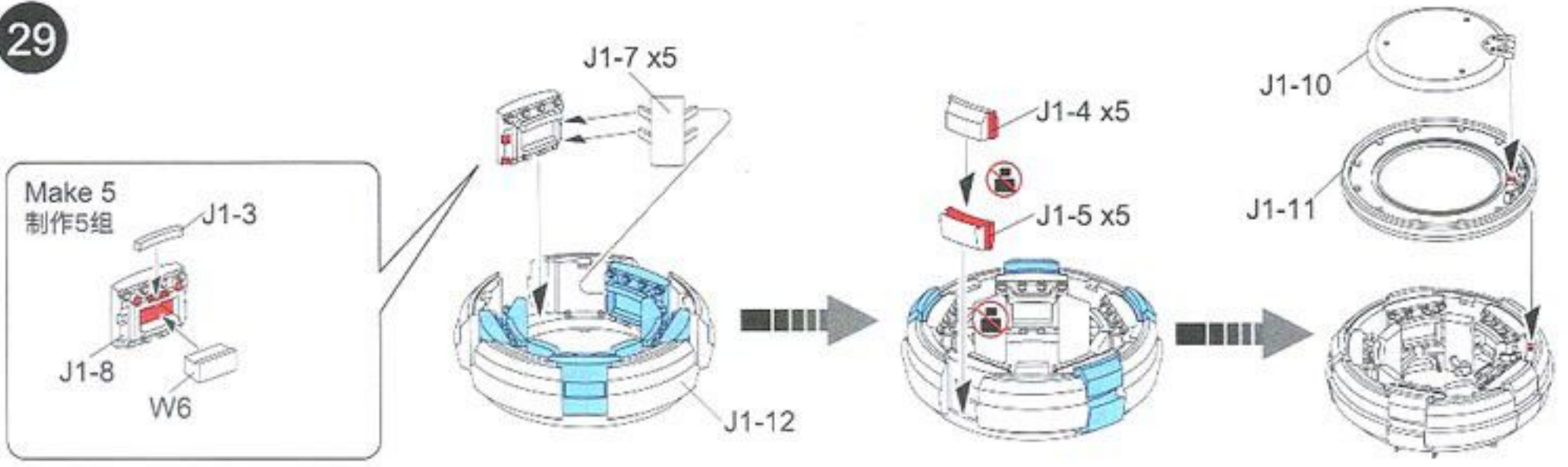
27



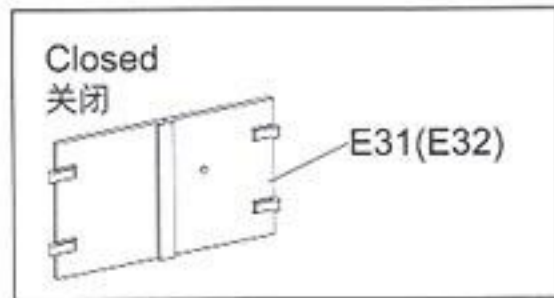
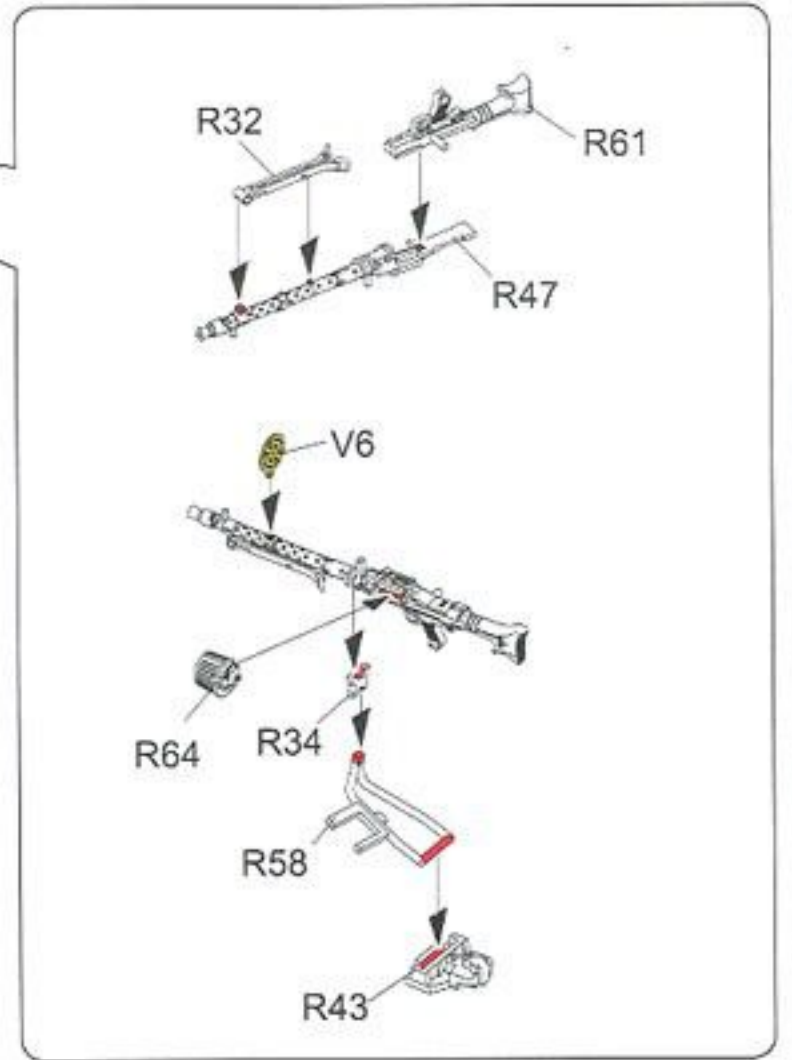
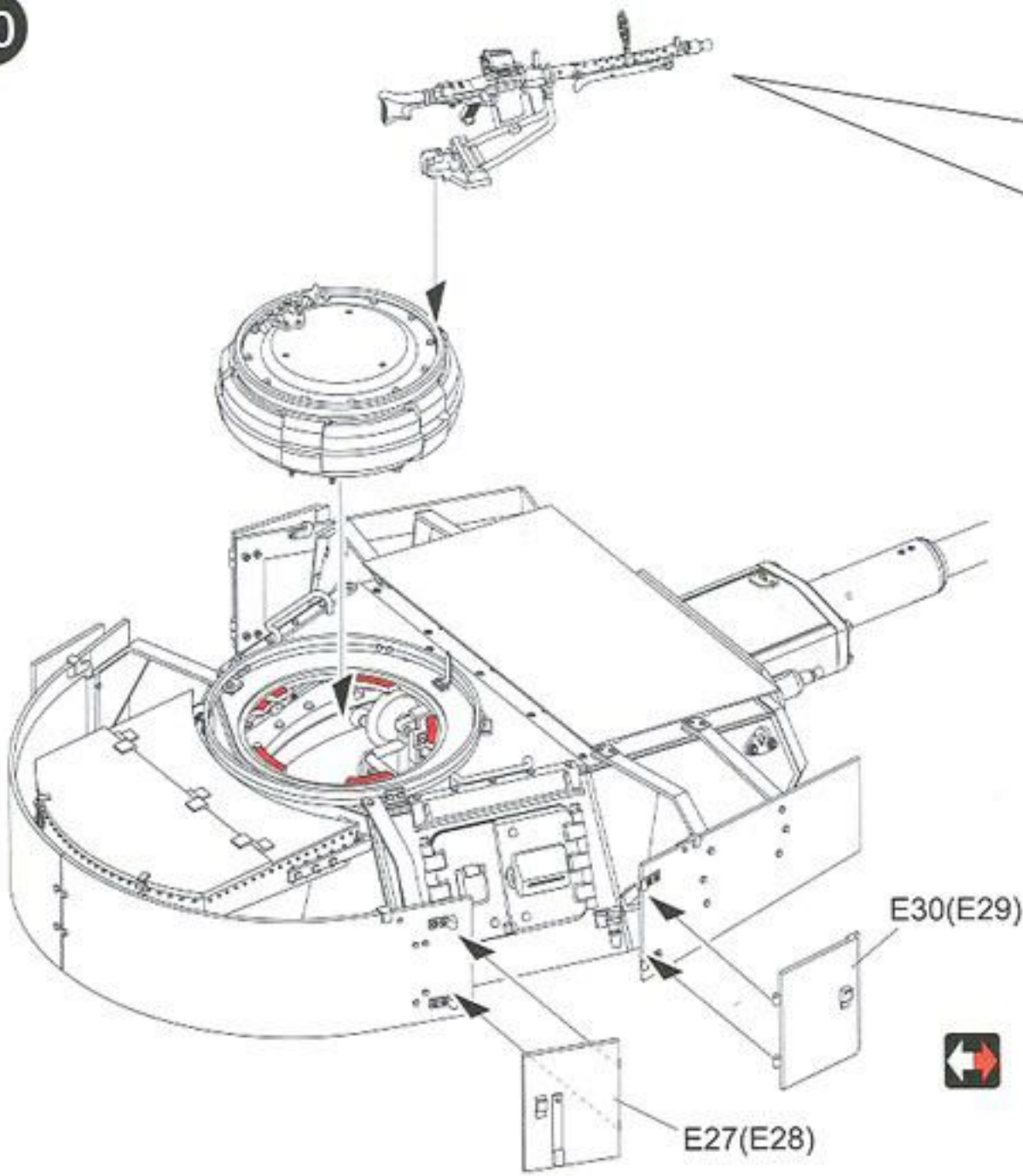
28



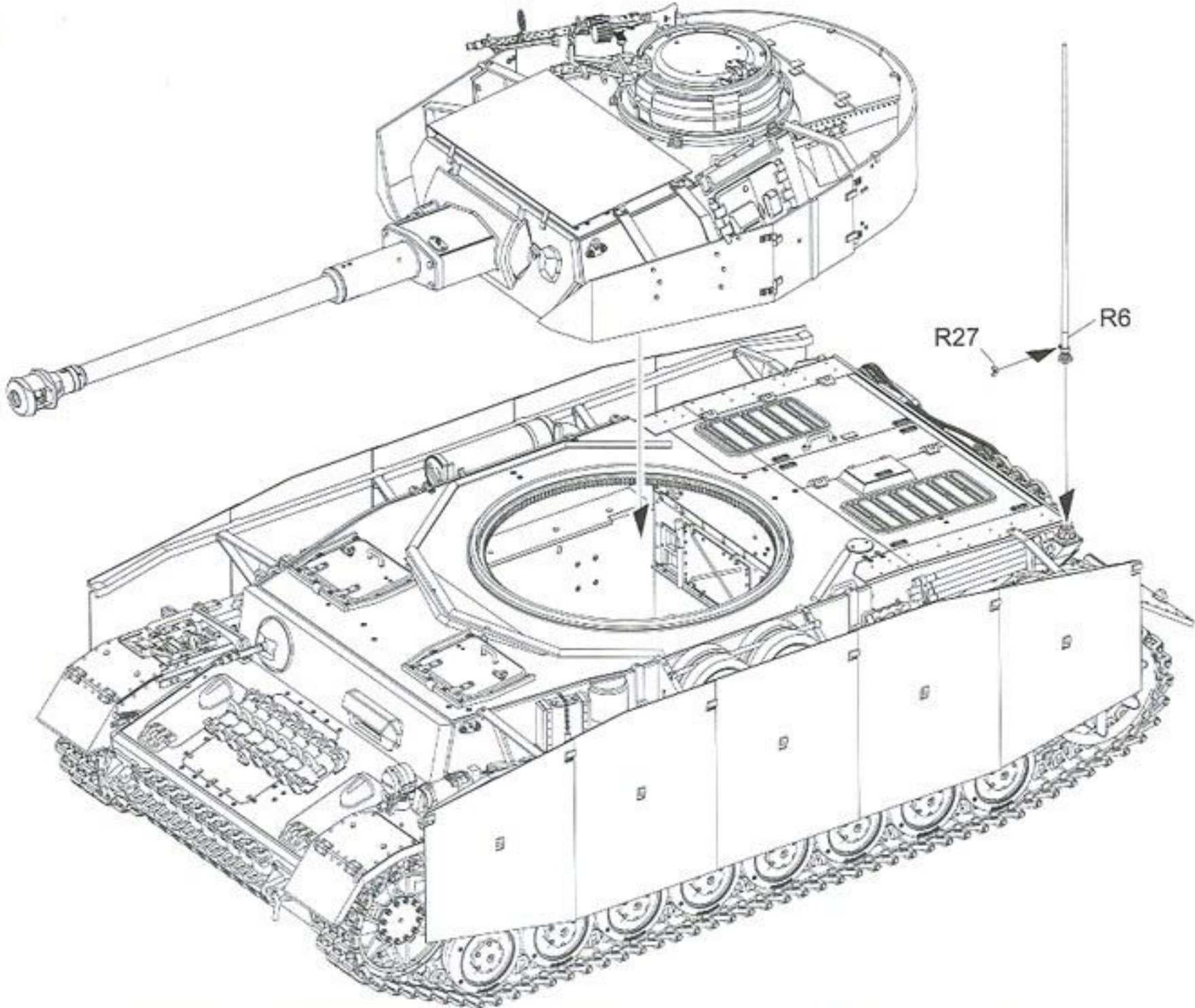
29



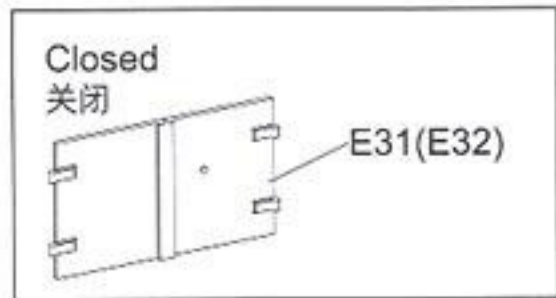
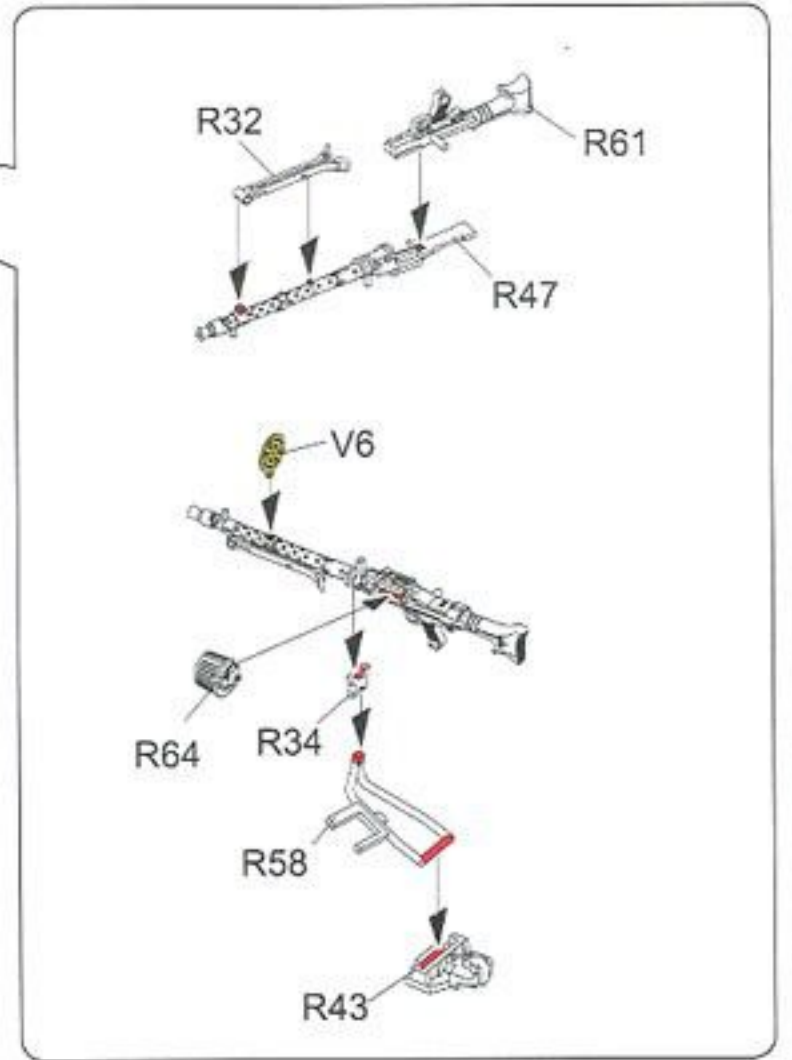
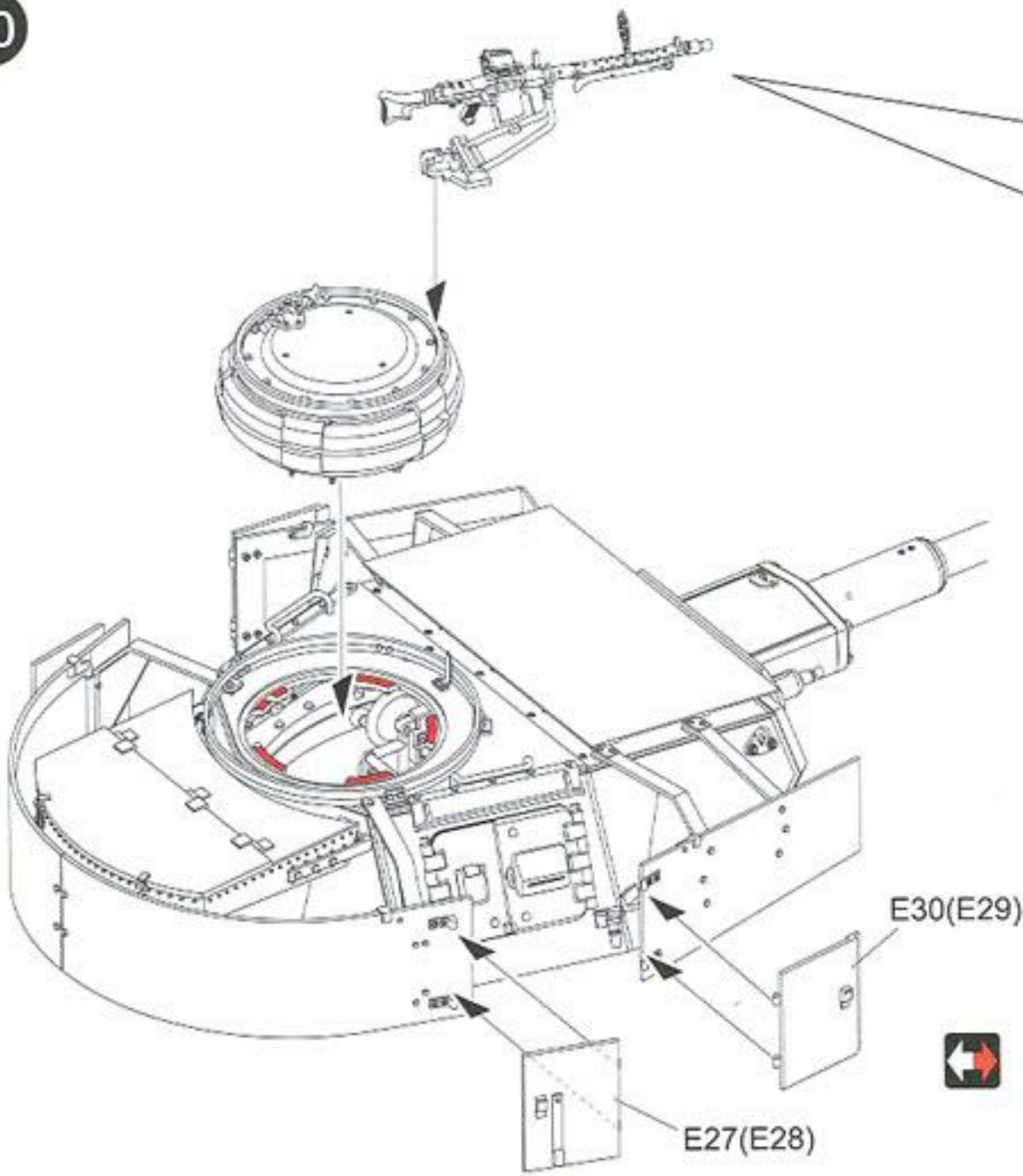
30



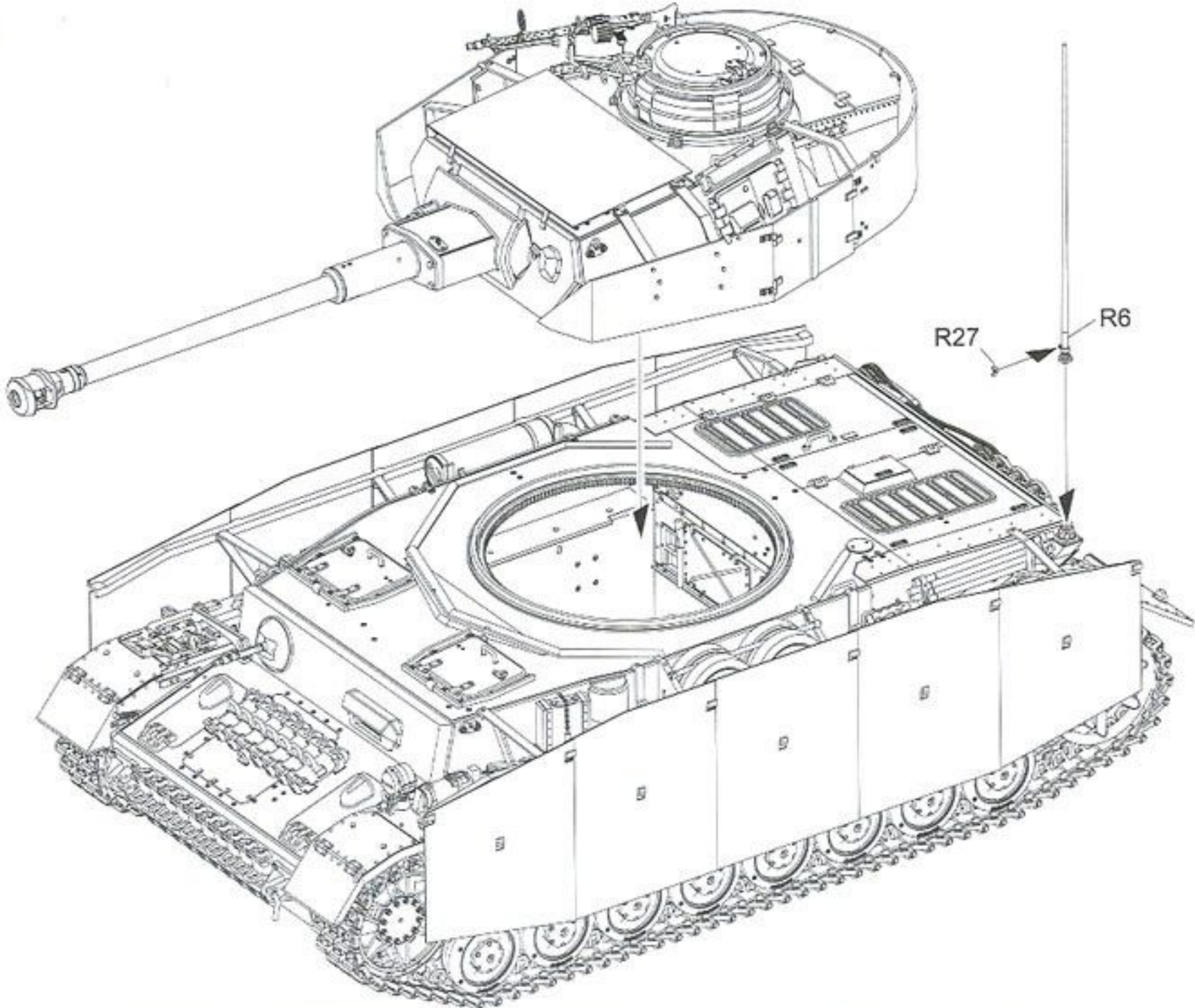
31

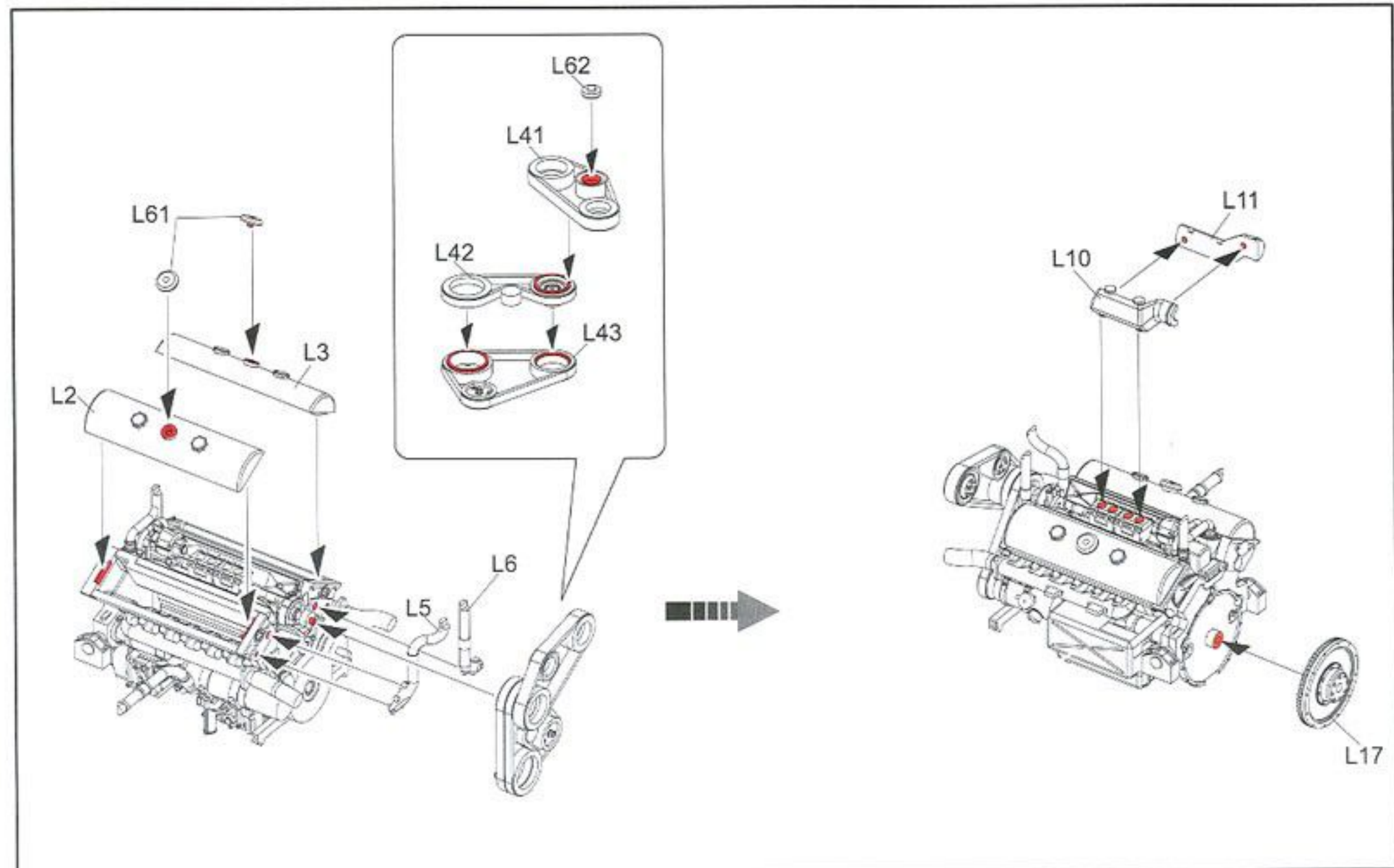
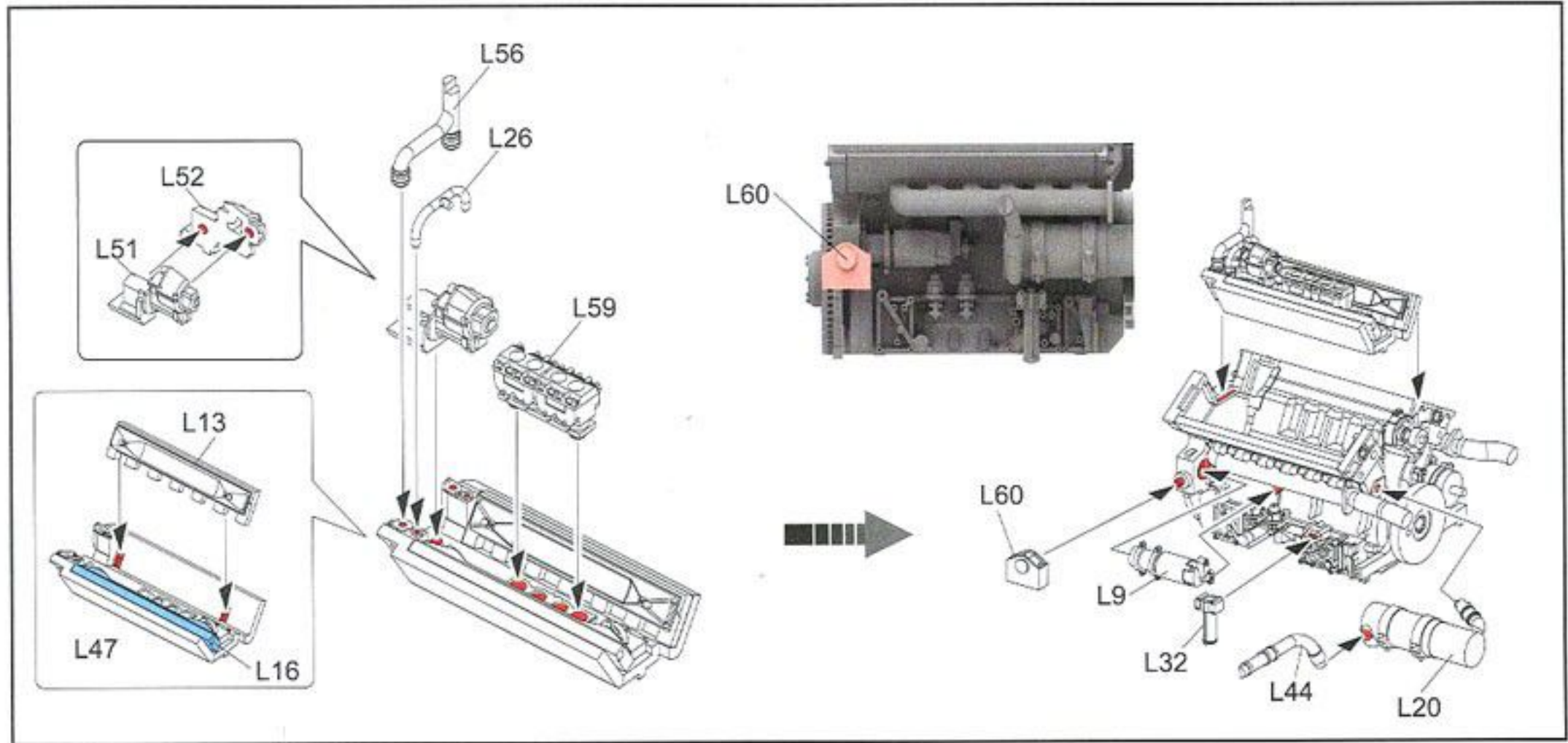
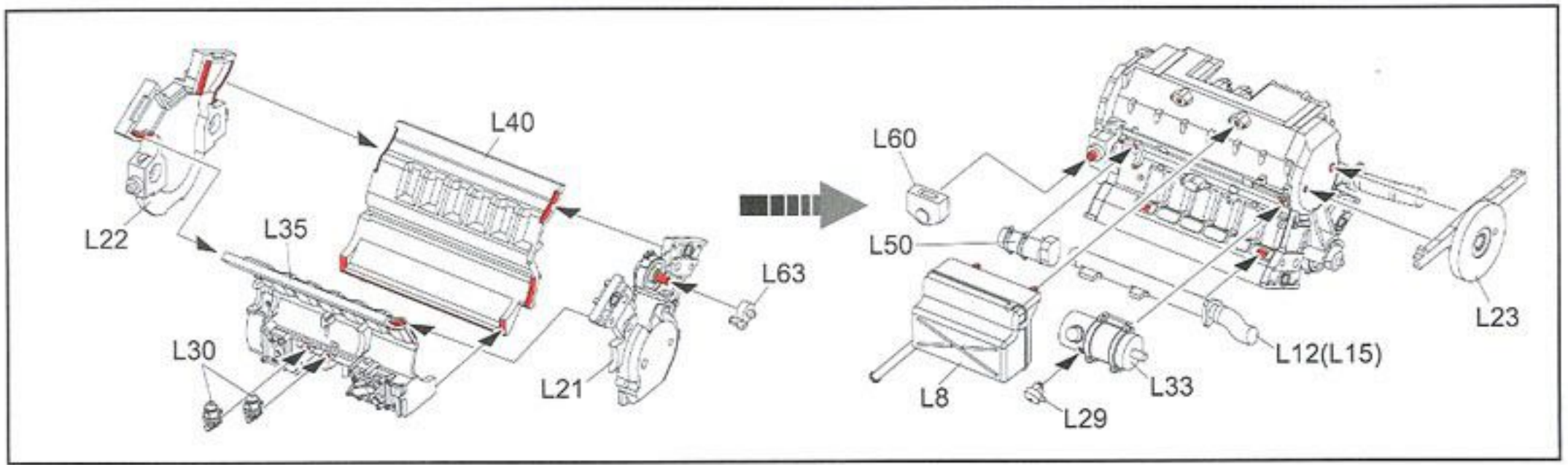


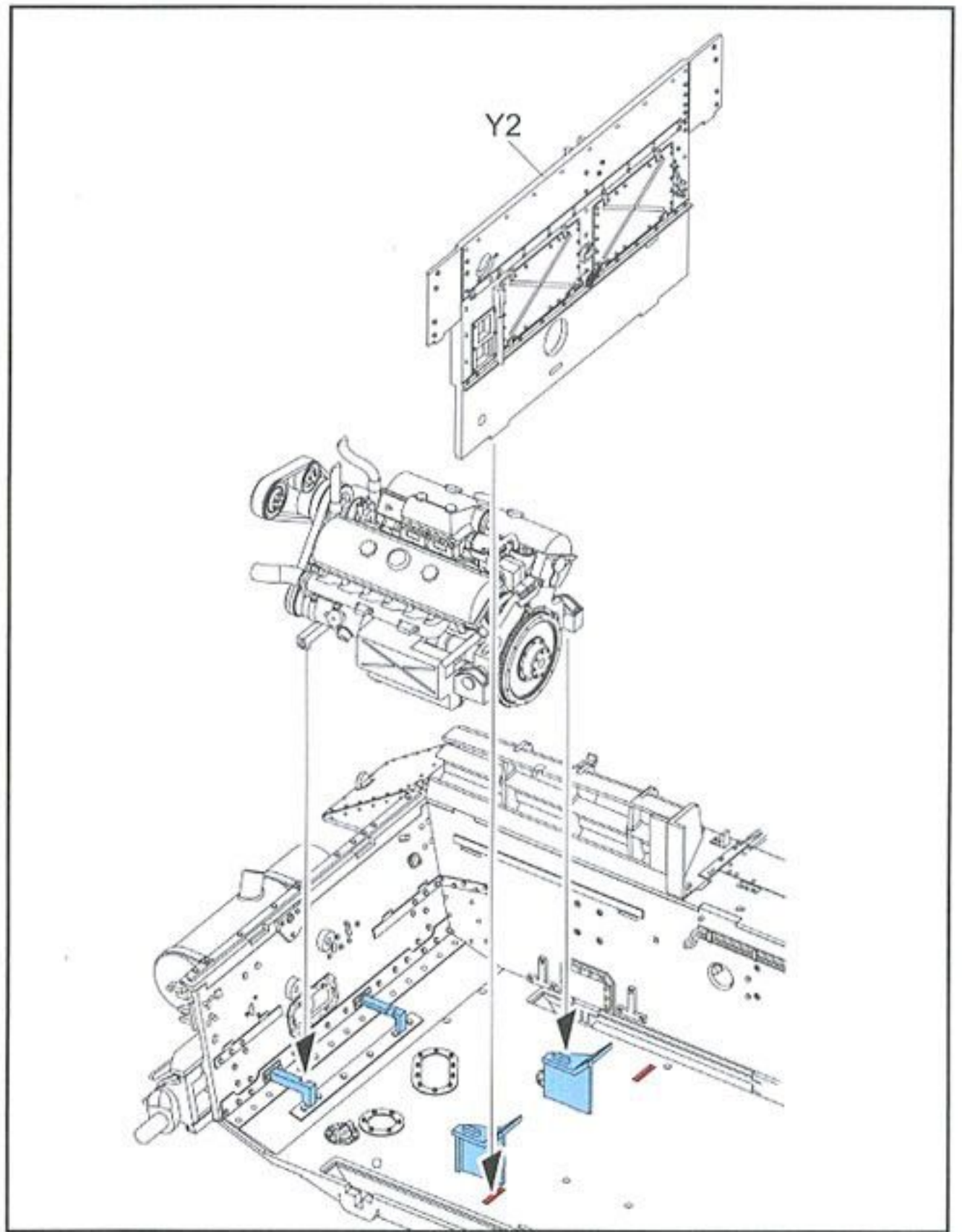
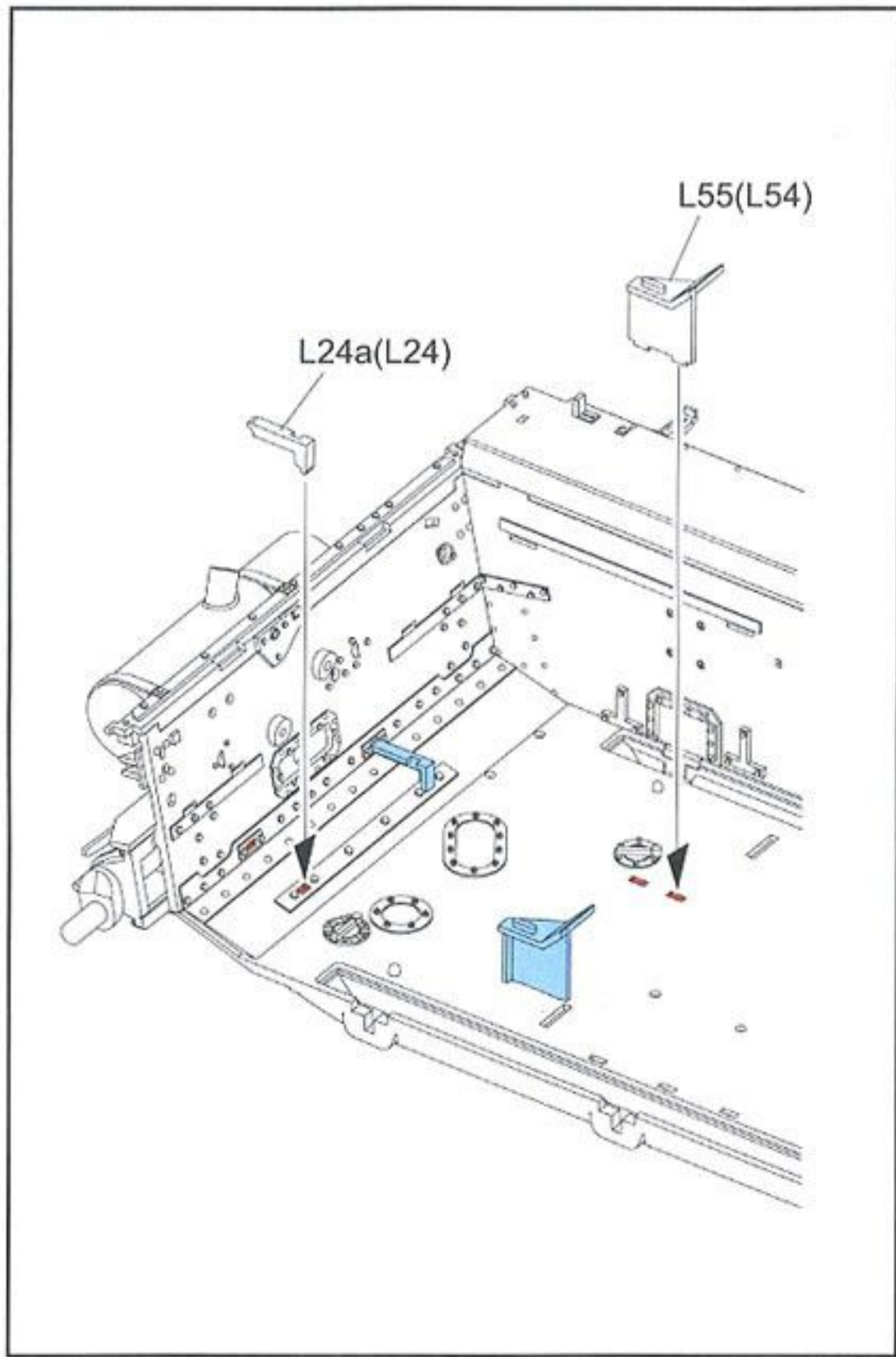
30



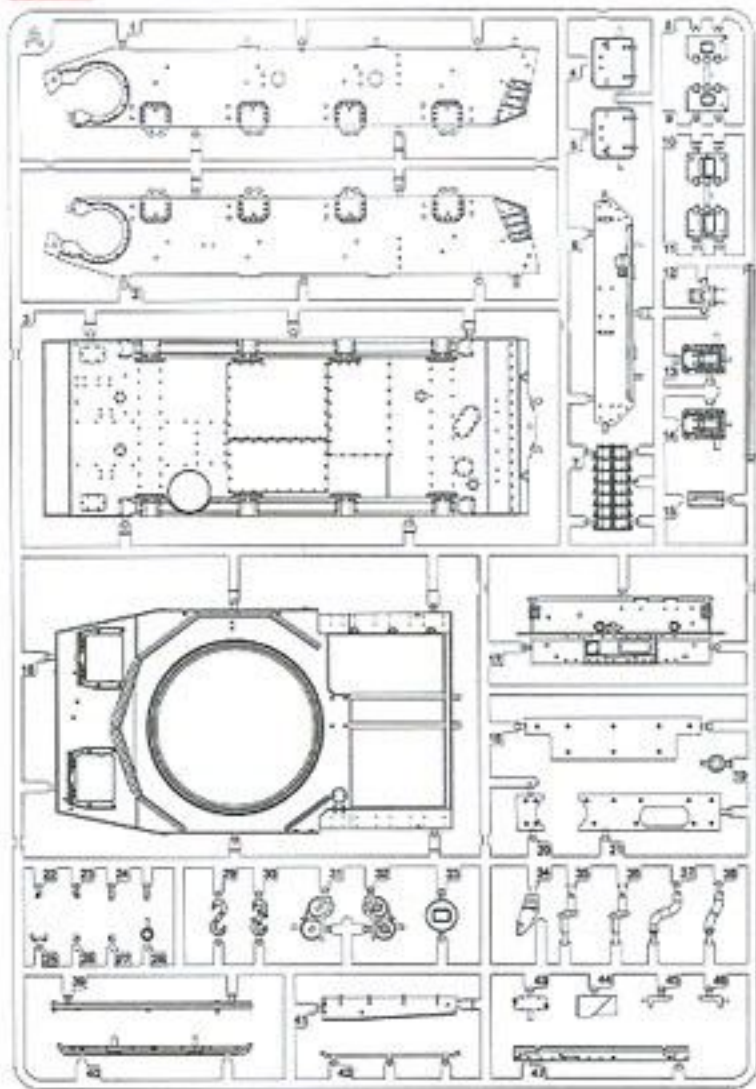
31



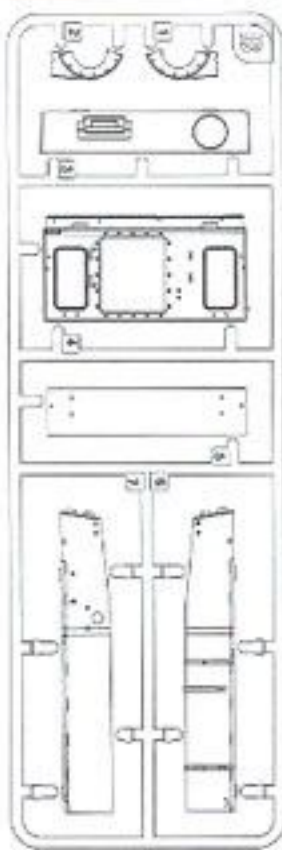




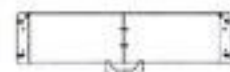
A x1



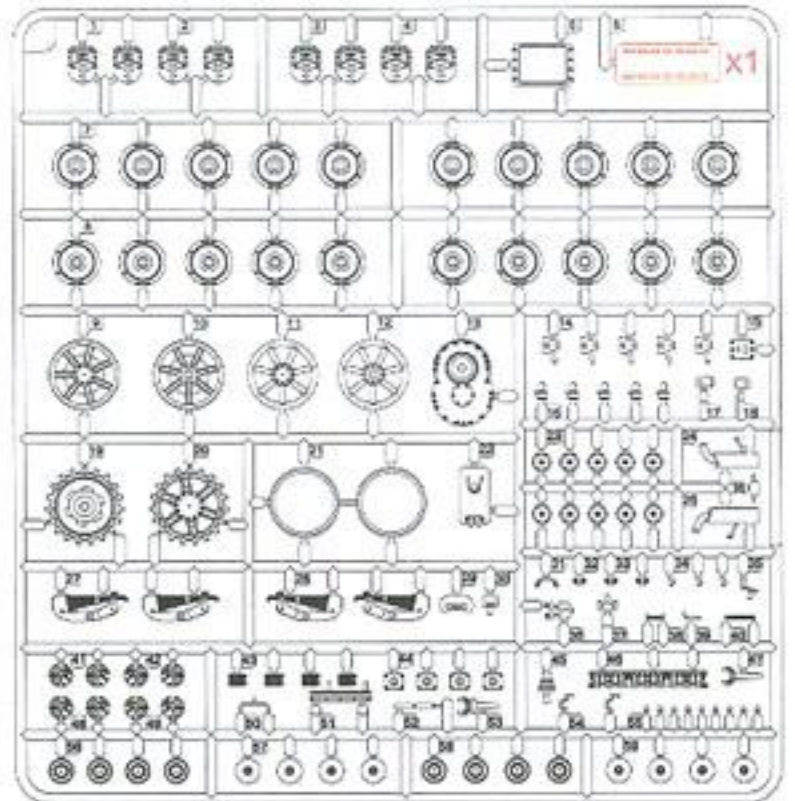
B x1



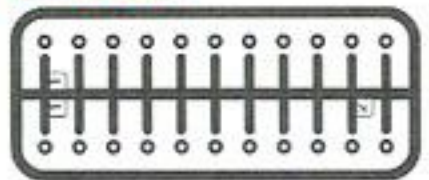
Turret



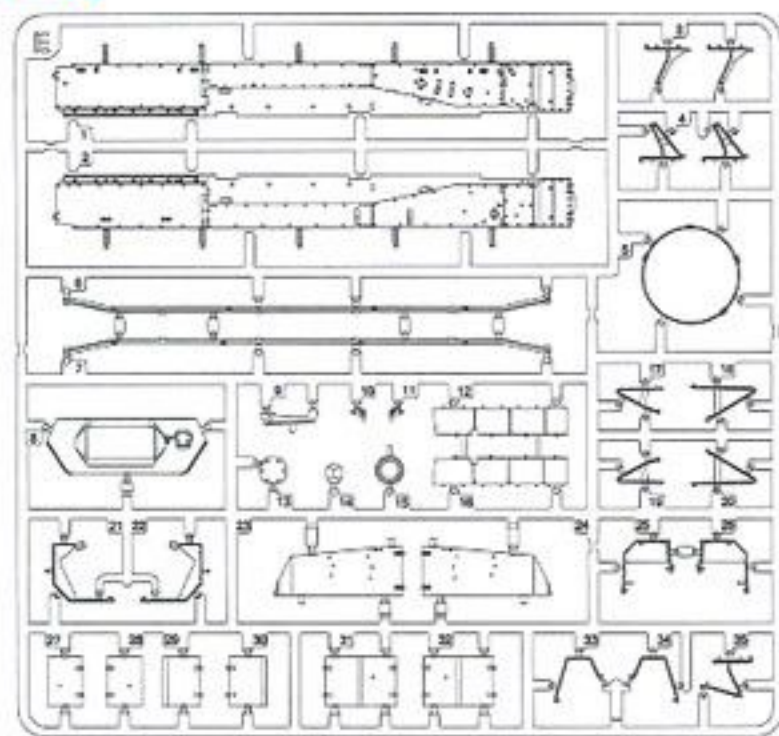
C x2



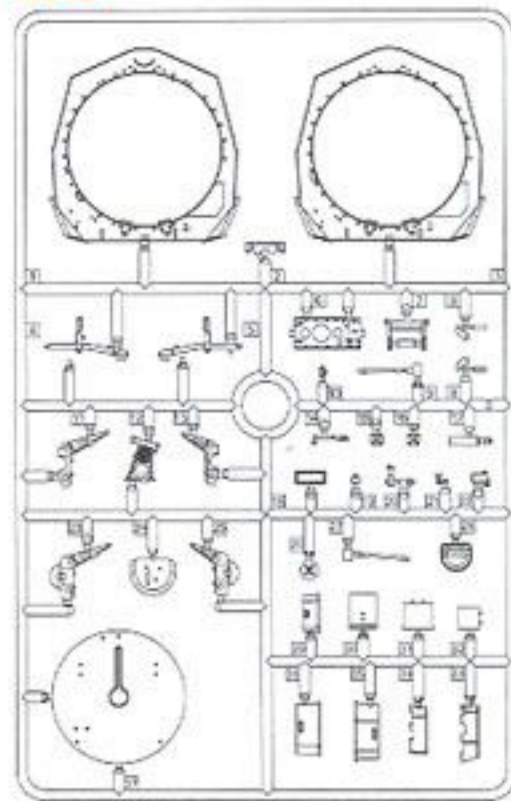
Poly Cap



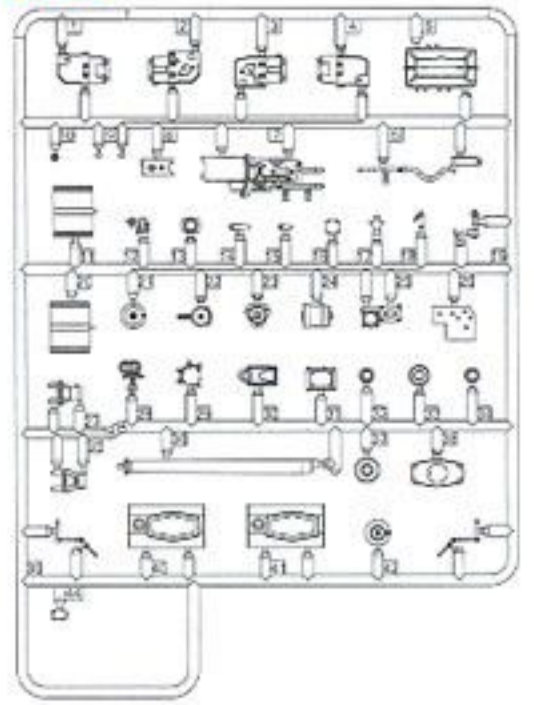
E x1



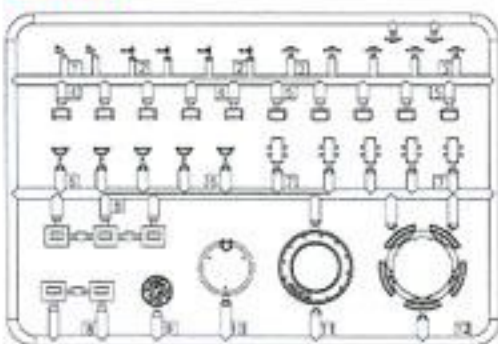
F x1



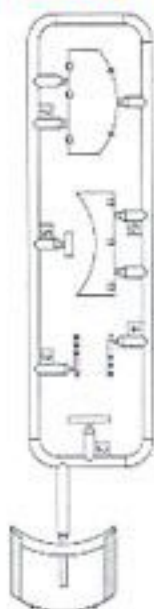
H x1



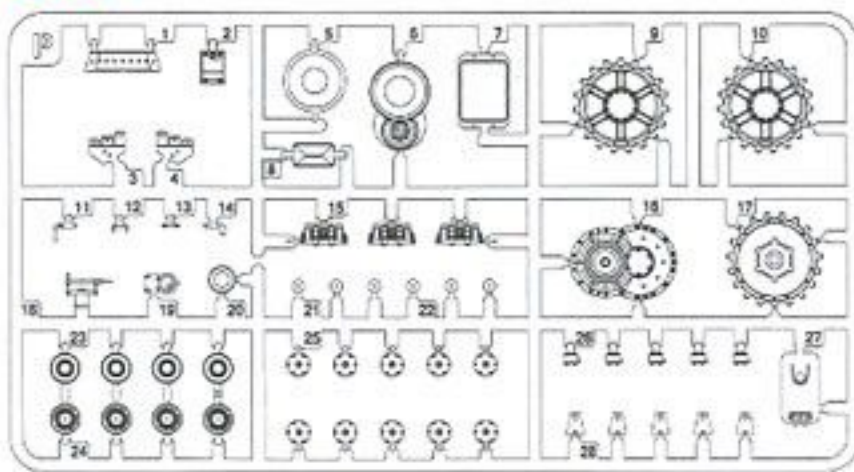
J1 x1



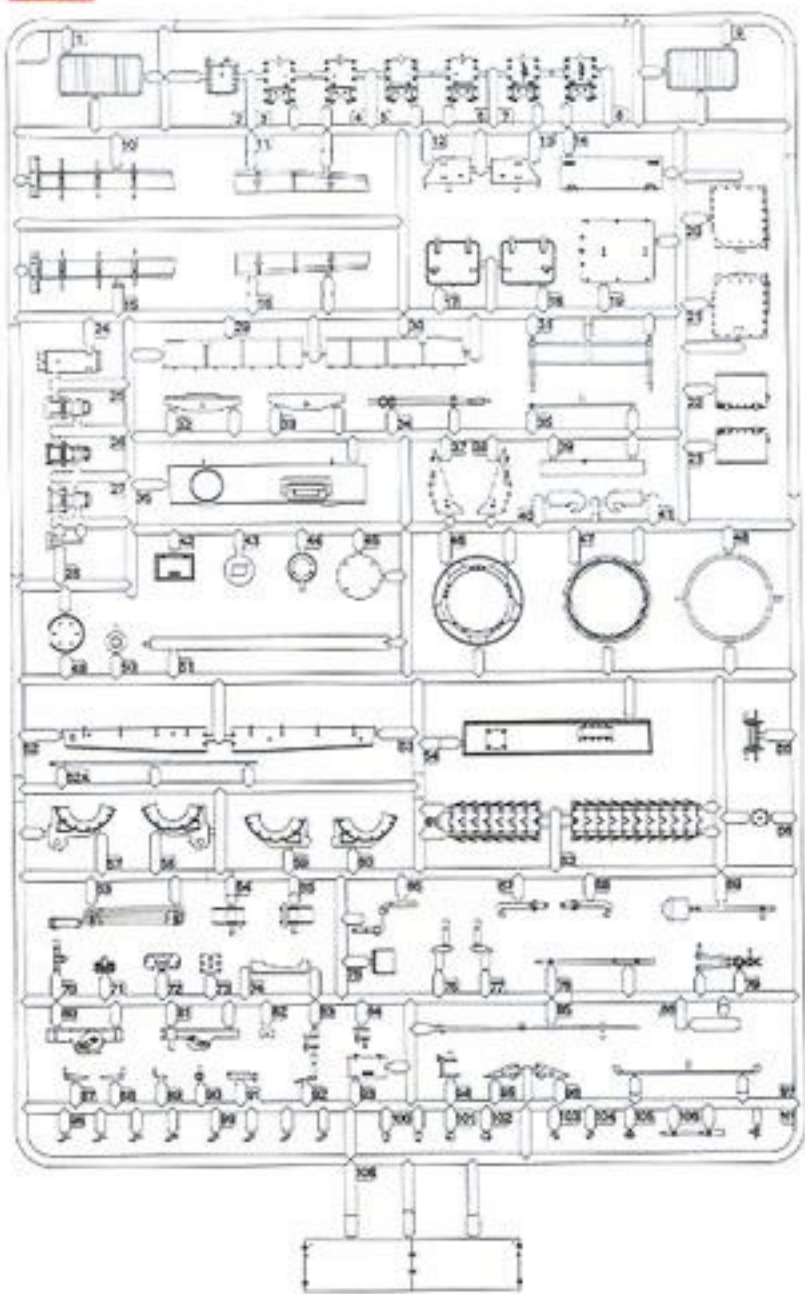
J4 x1



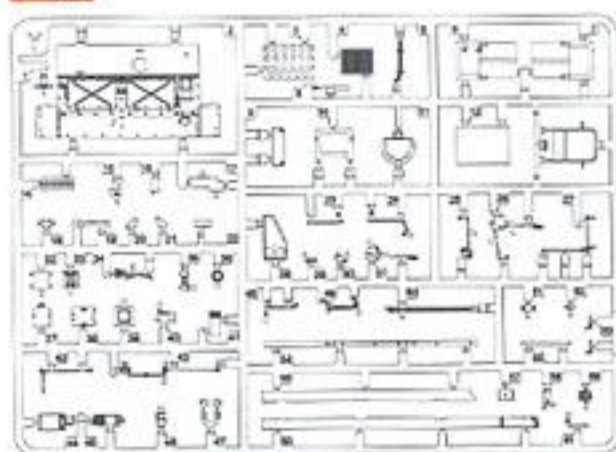
P x2



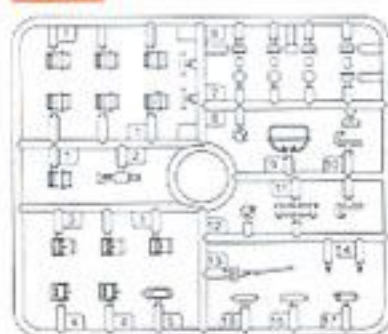
K x1



Y x1



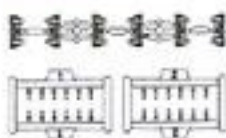
W x1



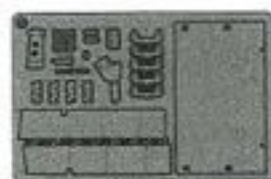
Decal



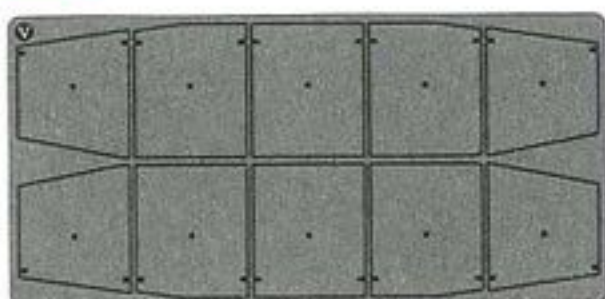
Tracks x 204



S x1



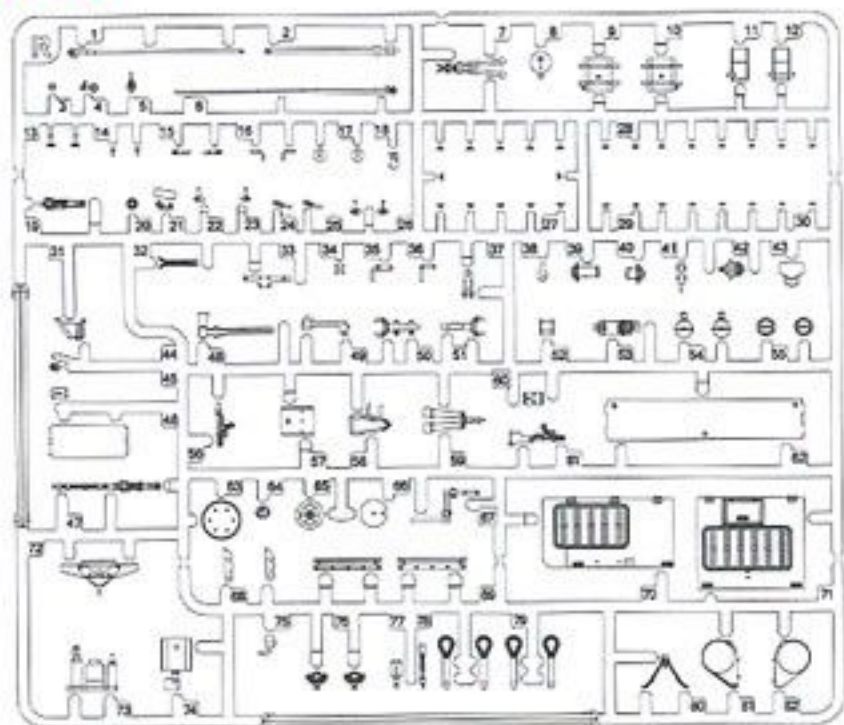
V x1



String x 1 300mm



R x1



Pz IV Ausf. J Late

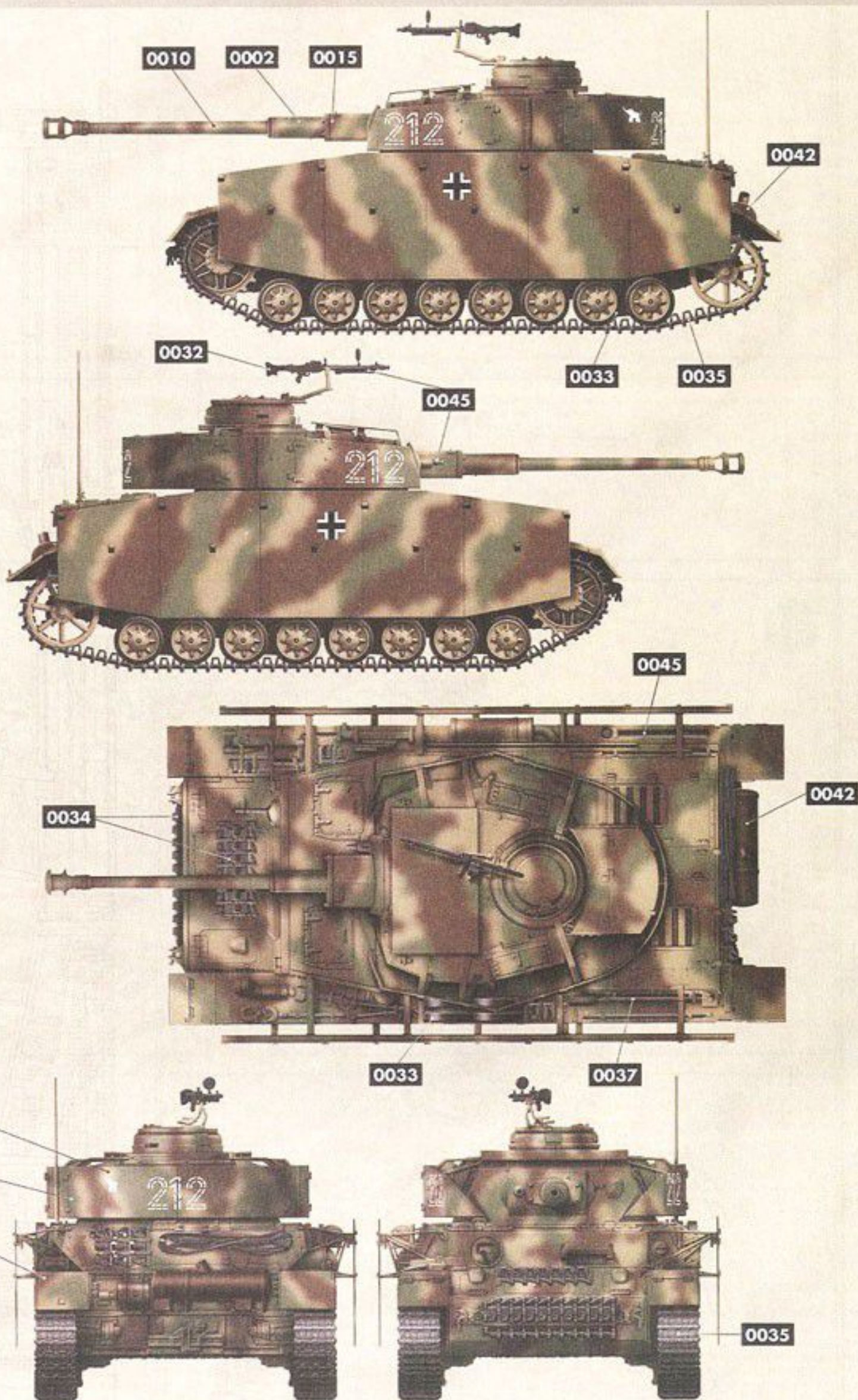
Painting and Marking Guide

www.migjimenez.com



by MIG Jimenez

- A.MIG-0035 Dark Tracks
- A.MIG-0034 Rust Tracks
- A.MIG-0033 Rubber & Tires
- A.MIG-0042 Old Rust
- A.MIG-0045 Gun Metal
- A.MIG-0037 New Wood
- A.MIG-0032 Satin Black
- A.MIG-0010 RAL 7028 Dunkelgelb (Mid War)
- A.MIG-0002 RAL 6003 Olivgrün OPT. 2
- A.MIG-0015 RAL 8017 Schokobraun



WEATHERING STEPS WITH AMMO PRODUCTS

- | | | | | |
|--|--|---|--|--|
| <p>1 GENERAL WASH
A.MIG-1000 Brown Wash for Dark Yellow</p> <p>2 FILTER
A.MIG-1510 Tan for 3 Tone Camo</p> | <p>3 STREAKING
A.MIG-1253 Streakingbrusher Grime</p> <p>4 TRACKS WASH
A.MIG-1002 Tracks Wash</p> | <p>5 RUST
A.MIG-1204 Streaking Rust Effects</p> <p>6 DIRT
A.MIG-3013 Rubble</p> | <p>7 MUD
A.MIG-1703 Moist Ground</p> <p>8 SPLASHES
A.MIG-1752 Loose Ground</p> | <p>9 FUEL
A.MIG-1409 Fuel Stains</p> <p>10 OIL
A.MIG-1408 Fresh Engine Oil</p> |
|--|--|---|--|--|