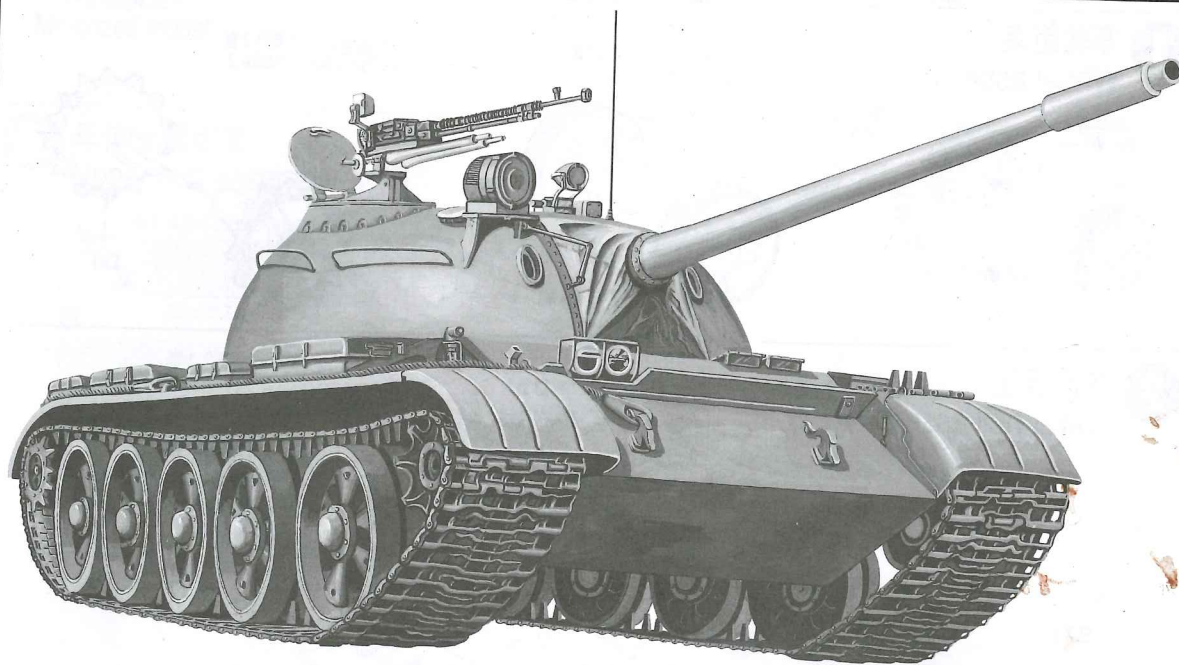


1:35 SCALE ARMoured VEHICLES SERIES

ITEM NO.00338

Russian T-54B Model 1952

俄罗斯T-54B 1952年型



颜色指示 COLORS

X-1	黑色	Black	XF-6	铜色	Copper
X-2	白色	White	XF-9	船体红	Hull Red
X-7	红色	Red	XF-49	黄褐色	Khaki
X-10	炮铜色	Gun Metal	XF-56	金属灰	Metallic Grey
XF-1	浅黑色	Flat Black	XF-61+XF-2 (8:2)	暗绿+浅白色	Dark Green+Flat White
XF-2	浅白色	Flat White			

水贴纸的使用:

1. 从水贴纸上剪下印花;
2. 将印花放入温水中浸10秒, 然后放在干净布上。
3. 拿着印花纸板将印花移到模型上;
4. 手指蘸水将印花移到适当的位置;
5. 用软布轻压印花直至水干, 气泡消失。

DECAL APPLICATION

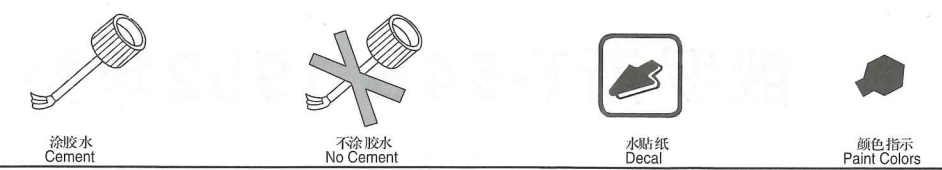
1. Cut off decal from sheet.
2. Dip the decal in tepid water 40°C for about 10 sec. and place on a clean cloth.
3. Hold the backing sheet edge and slide decal onto the model.
4. Move decal into position by wetting decal with finger.
5. Press decal gently down with a soft cloth until excess water and air bubbles are gone.

00338

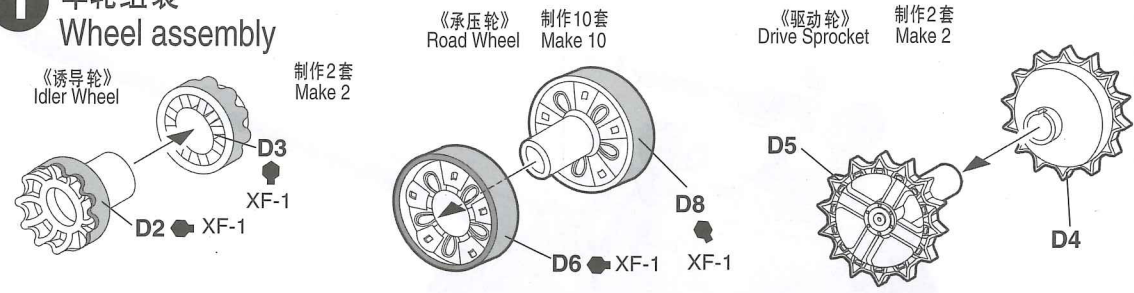
必备工具
Required



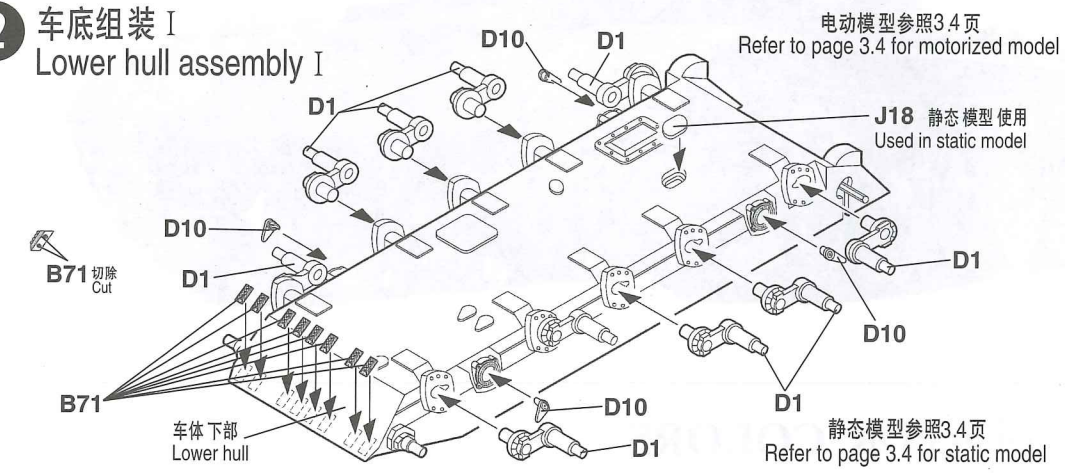
符号表示
Mark



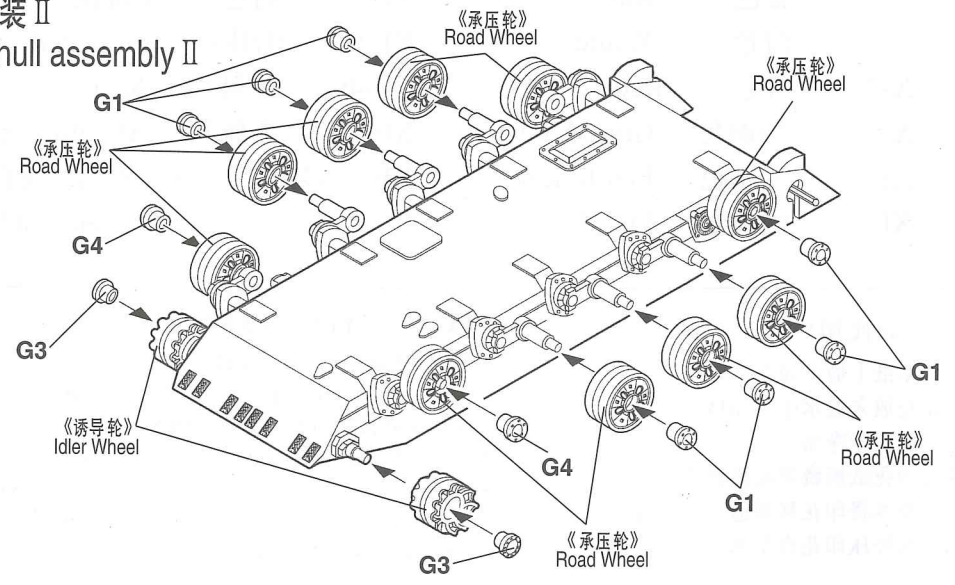
1 车轮组装
Wheel assembly



2 车底组装 I
Lower hull assembly I



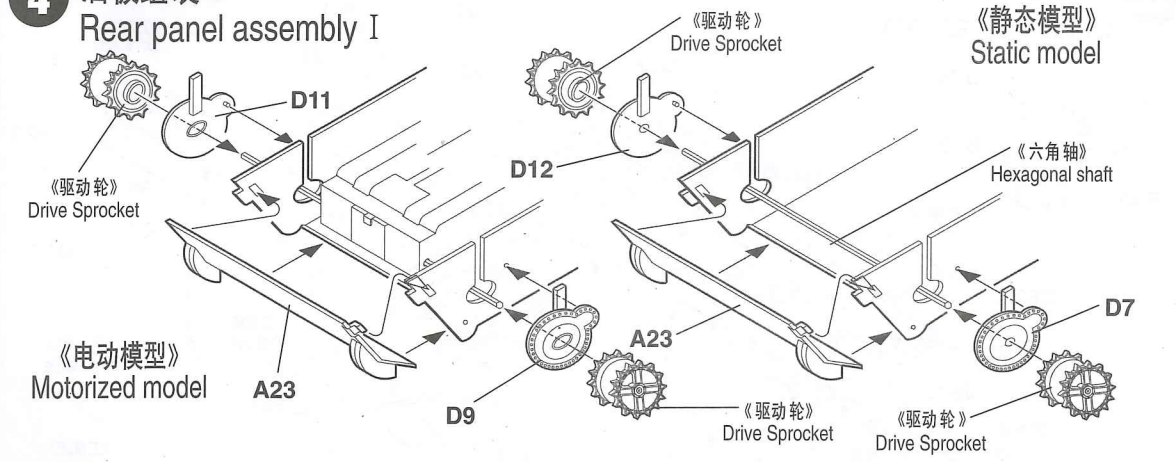
3 车底组装 II
Lower hull assembly II



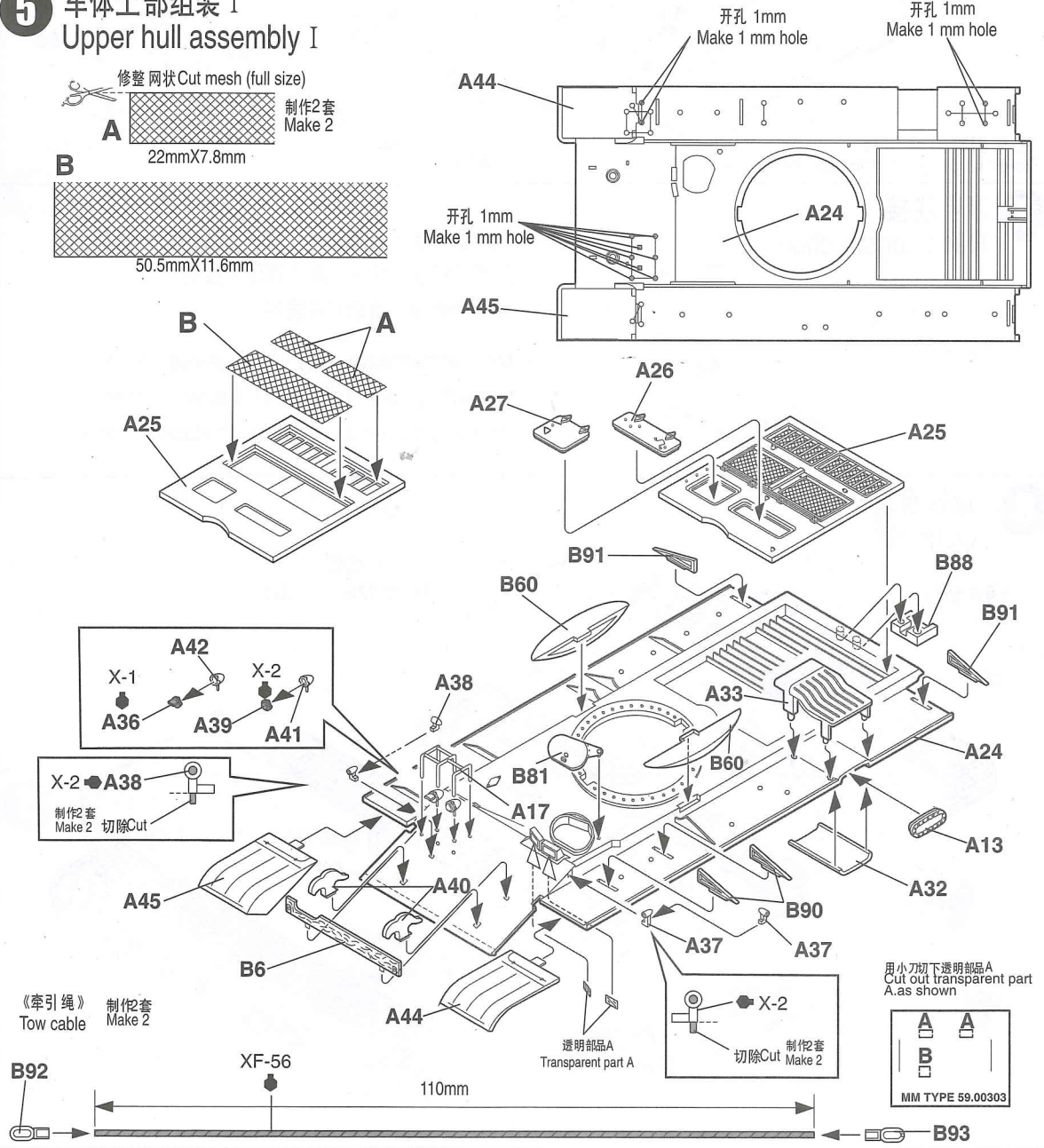
00338

2

4 后板组装 I
Rear panel assembly I



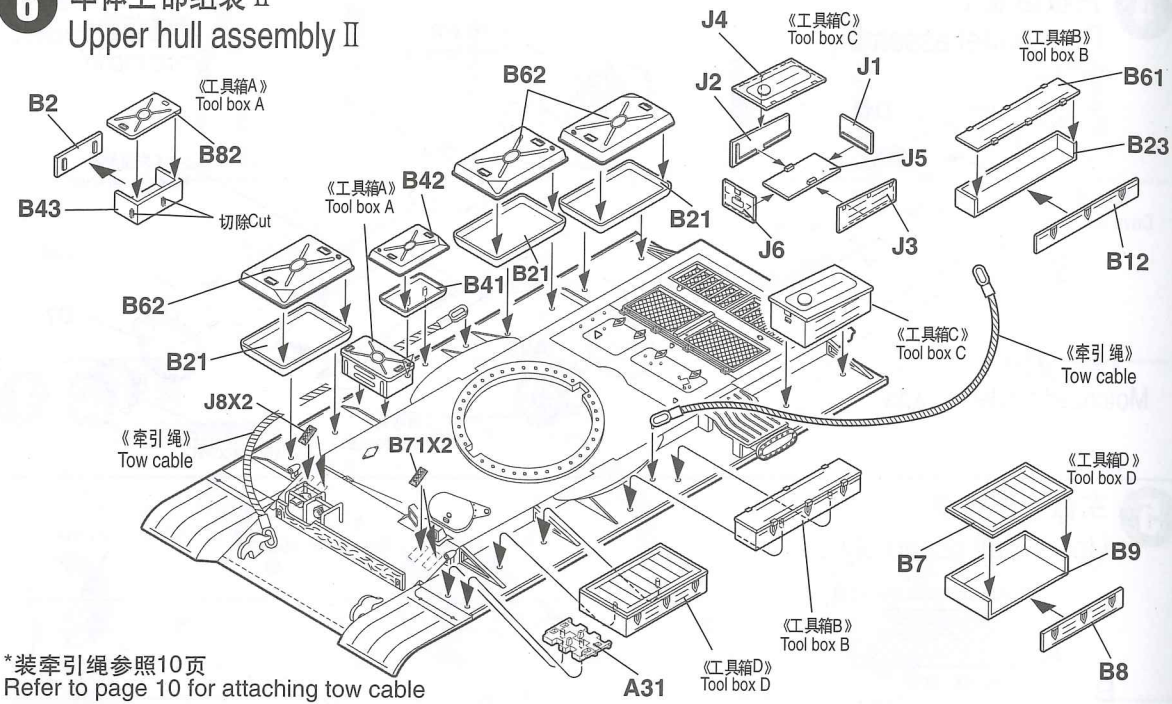
5 车体上部组装 I
Upper hull assembly I



00338

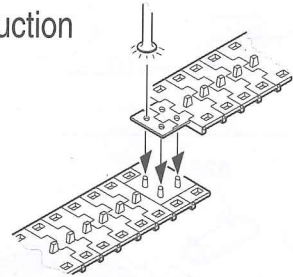
3

6 车体上部组装 II Upper hull assembly II



*装牵引绳参照10页
Refer to page 10 for attaching tow cable

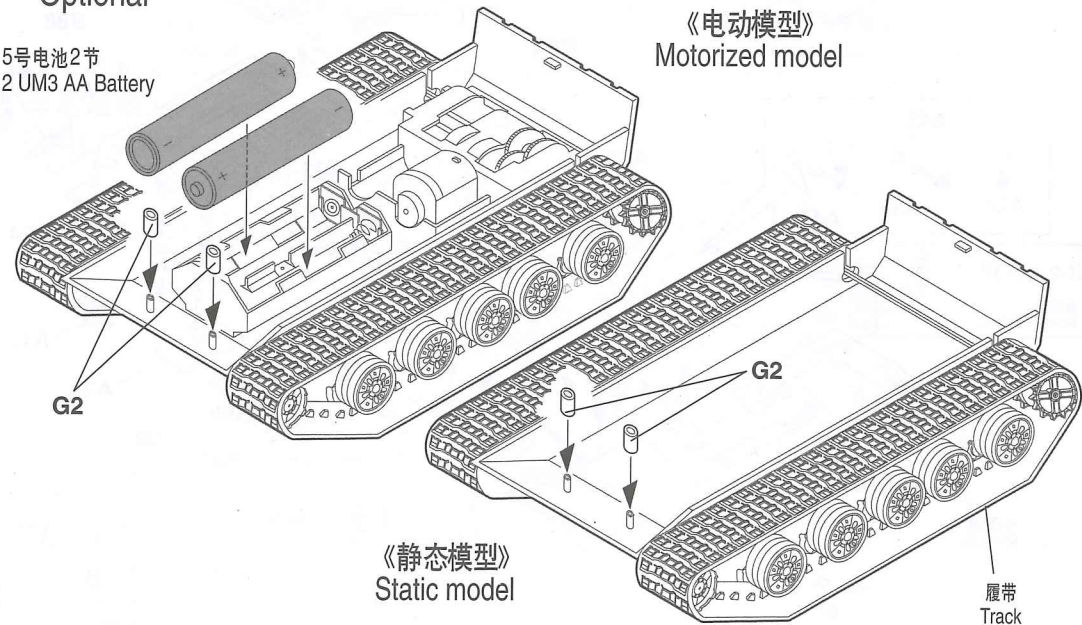
7 履带联接 Track construction



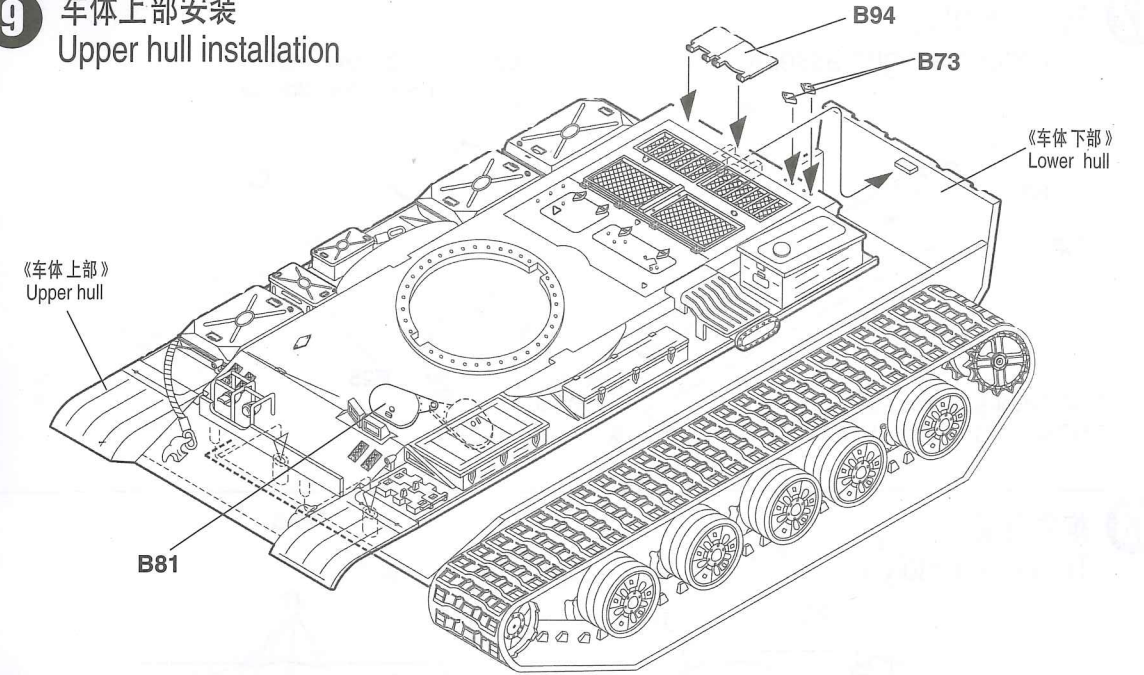
- 根据实际要求选择履带尺寸。
- 用热铁钉软化接头，用手指压下接头。若履带断裂，用细丝线固定。
- Melt pin heads carefully with a heated nail etc. Immediately press pin heads with your finger.
- If track is broken strengthen with staples or thread.

8 选择组装 Optional

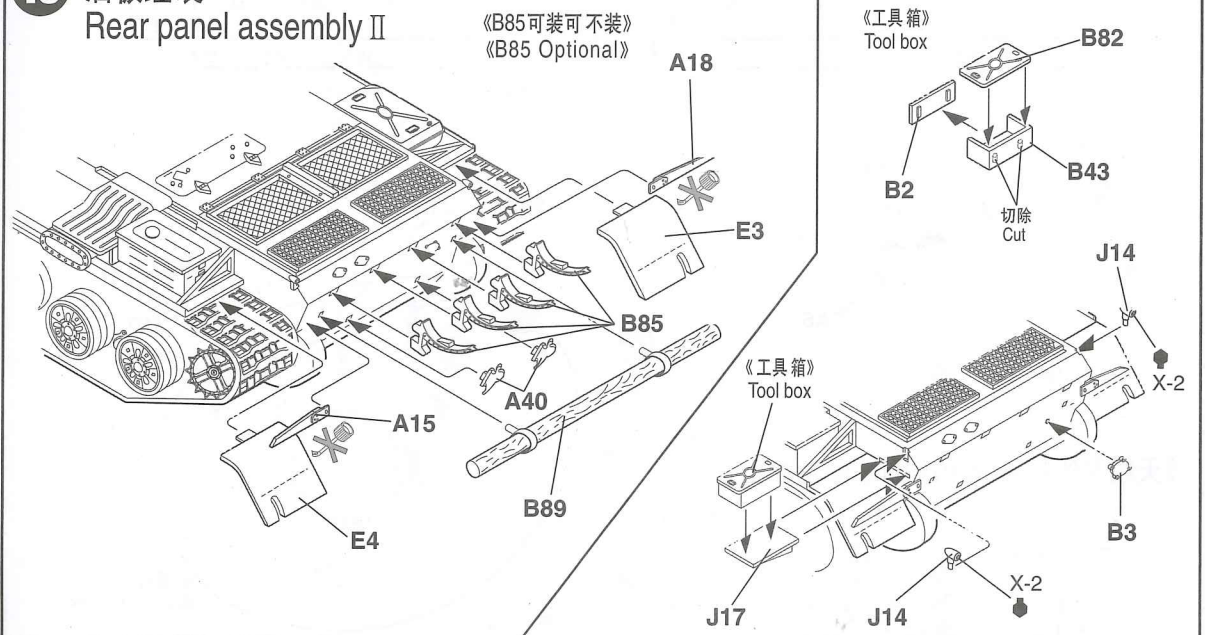
5号电池2节
2 UM3 AA Battery



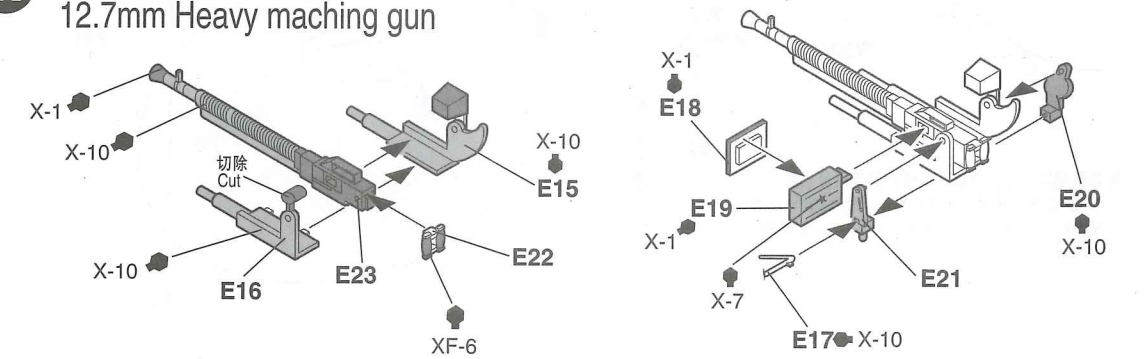
9 车体上部安装 Upper hull installation



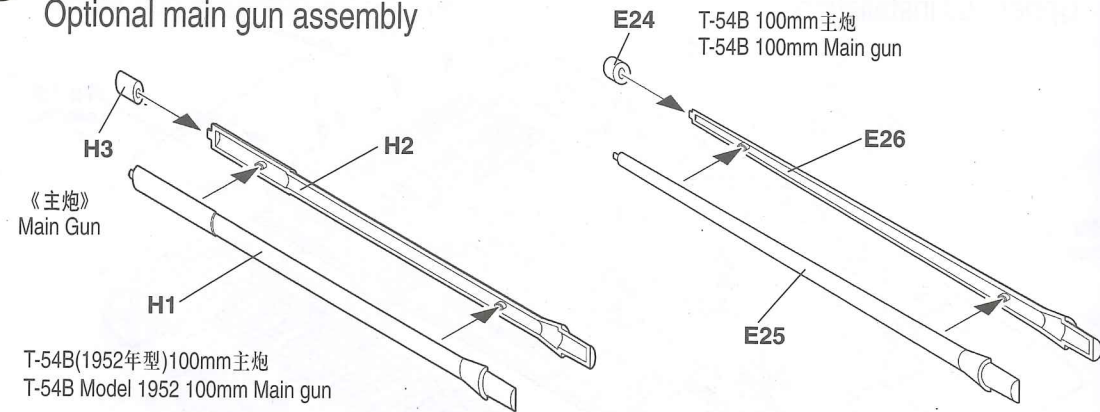
10 后板组装 II Rear panel assembly II



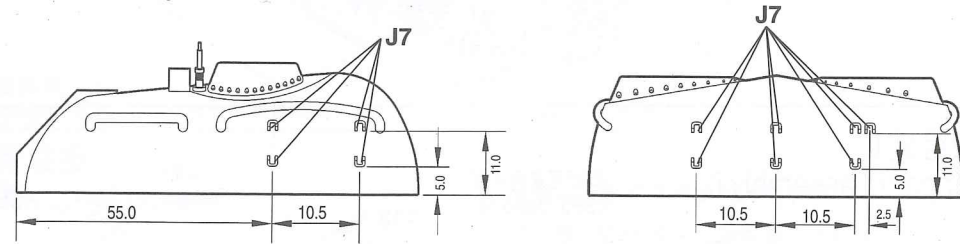
11 12.7mm 重机枪 12.7mm Heavy machine gun



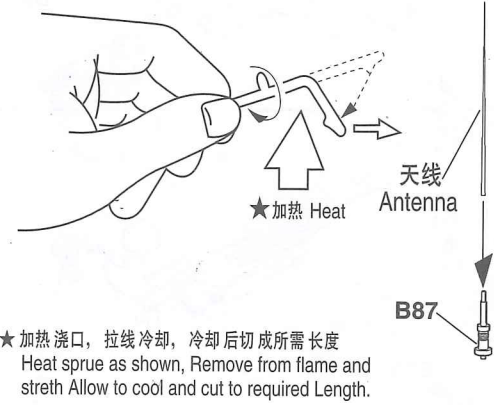
12 选择主炮组装
Optional main gun assembly



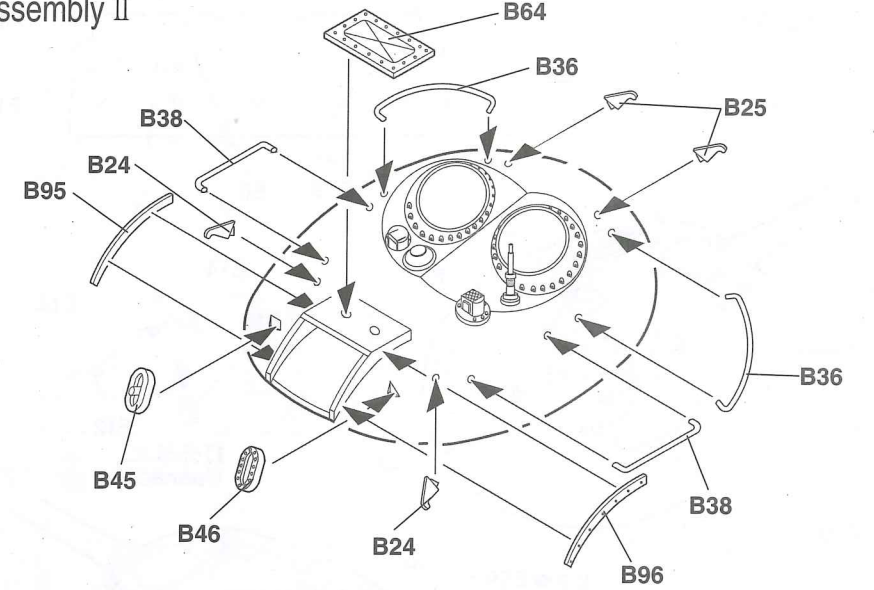
13 炮塔组装 I
Turret assembly I



《天线制作》 How to make antenna

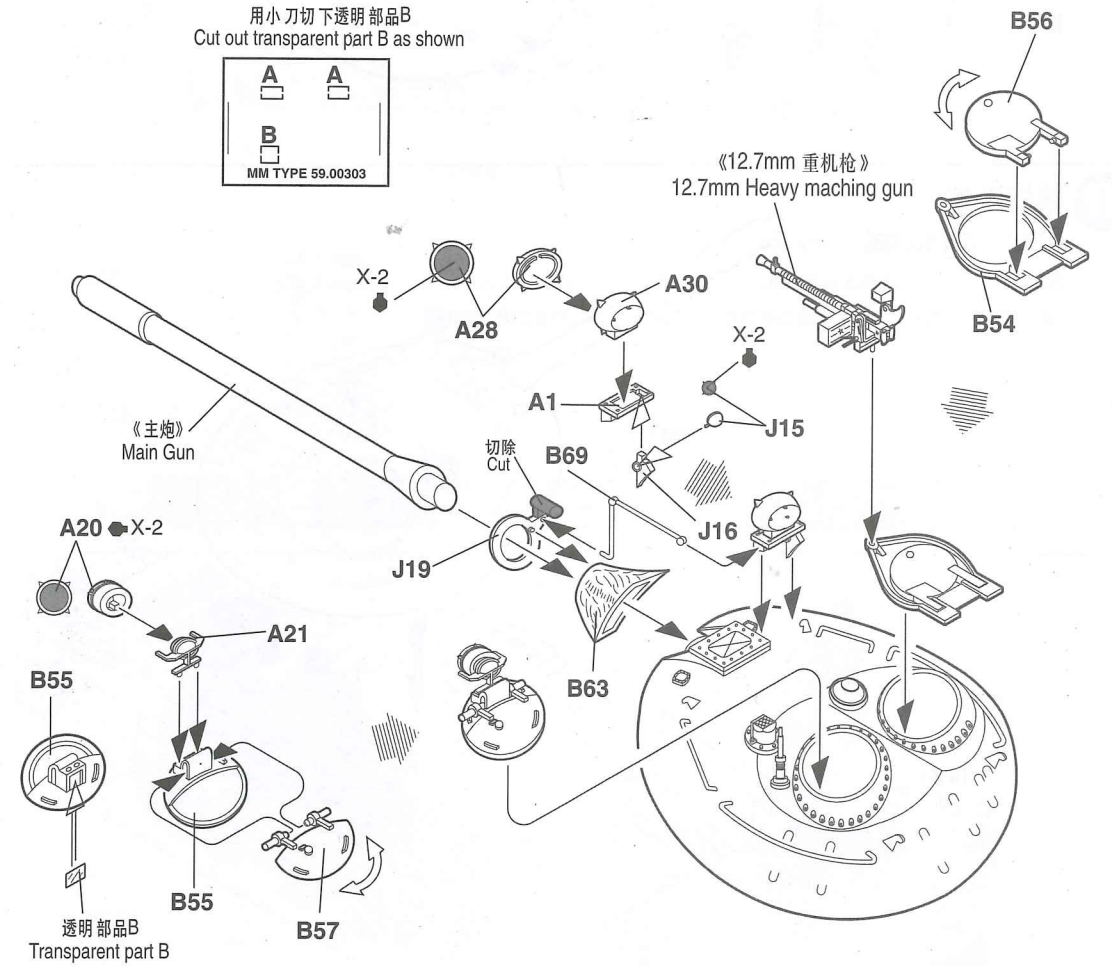
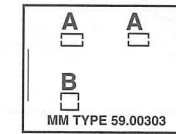


14 炮塔组装 II
Turret assembly II

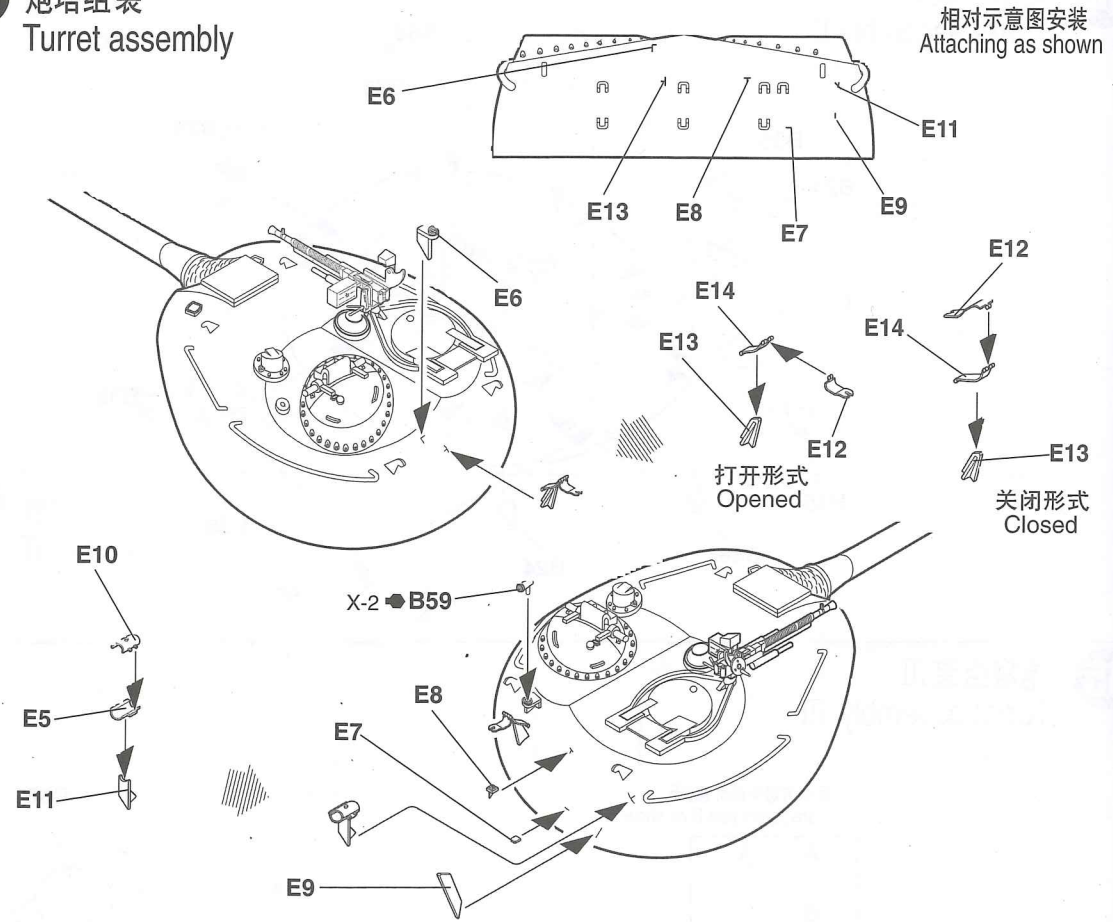


15 炮塔组装 III
Turret assembly III

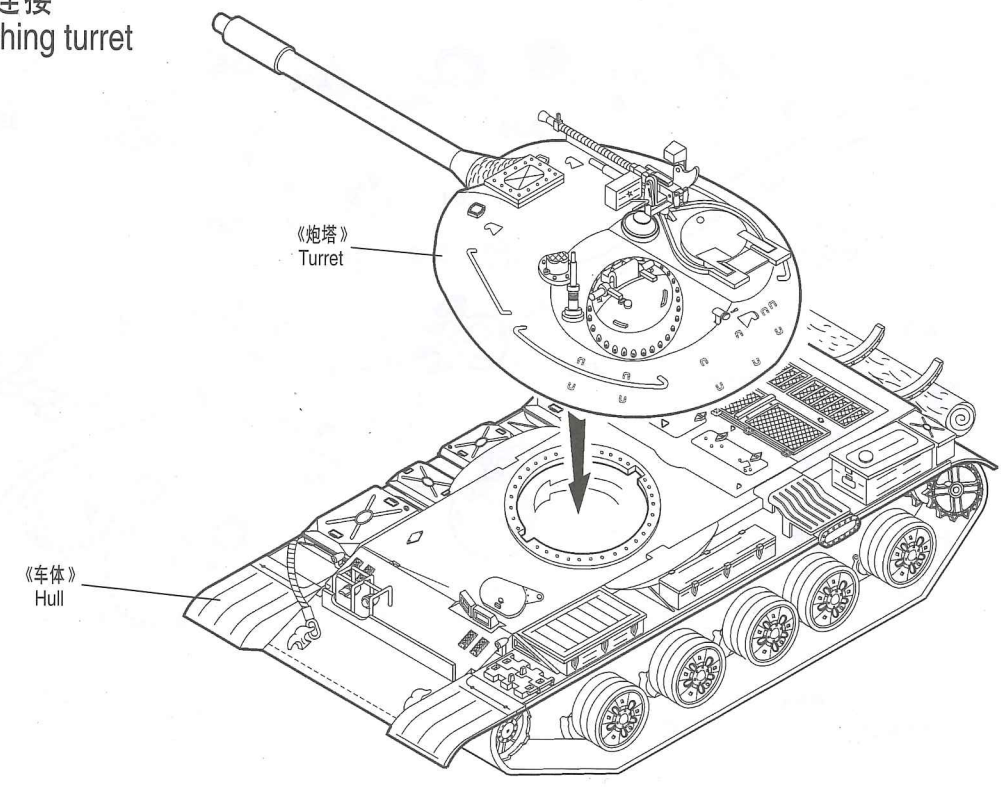
用小刀切下透明部品B
Cut out transparent part B as shown



16 炮塔组装
Turret assembly



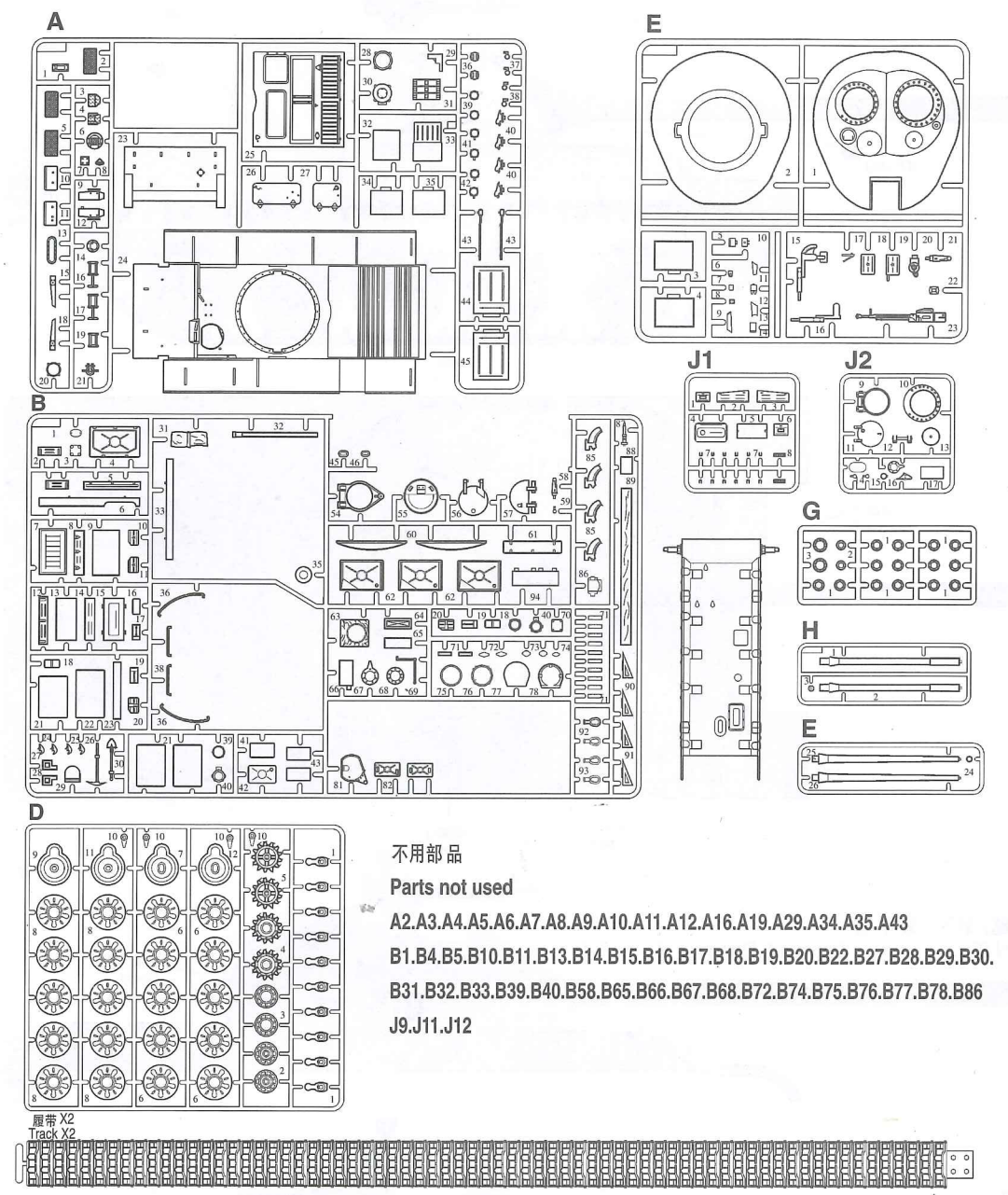
17 炮塔连接
Attaching turret



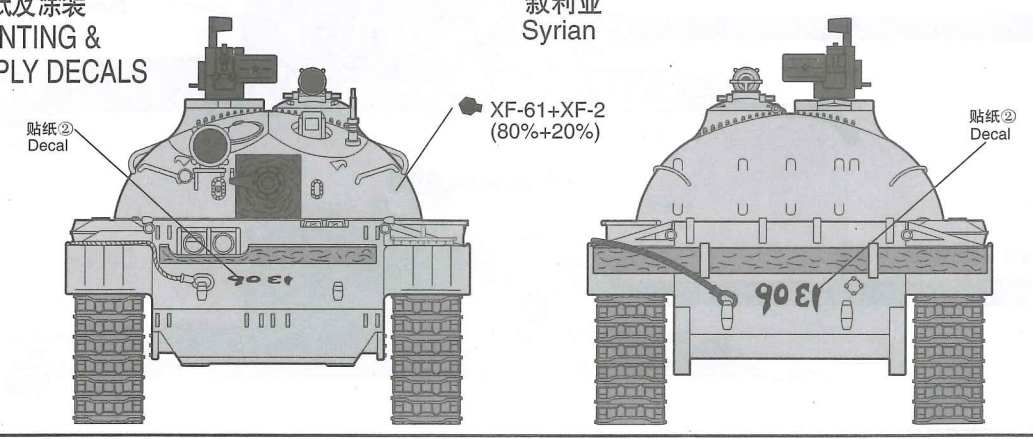
00338

8

部品图
Parts

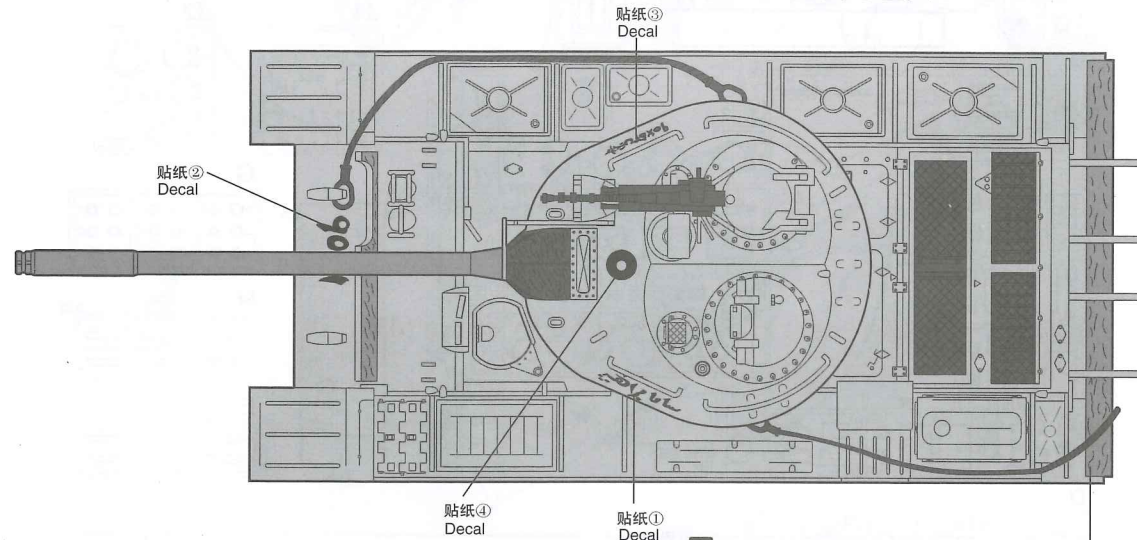
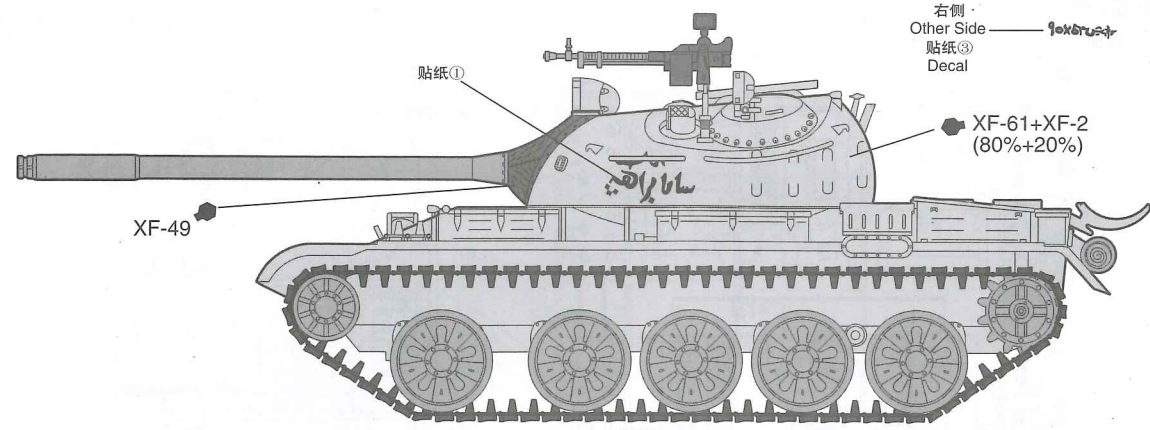


贴纸及涂装
PAINTING &
APPLY DECALS

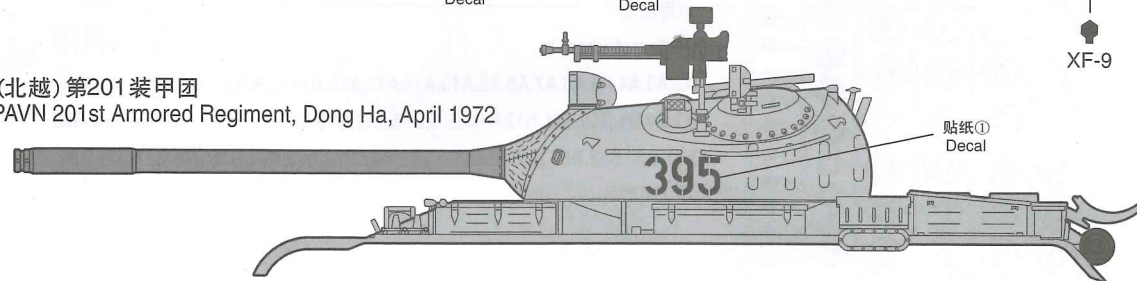


00338

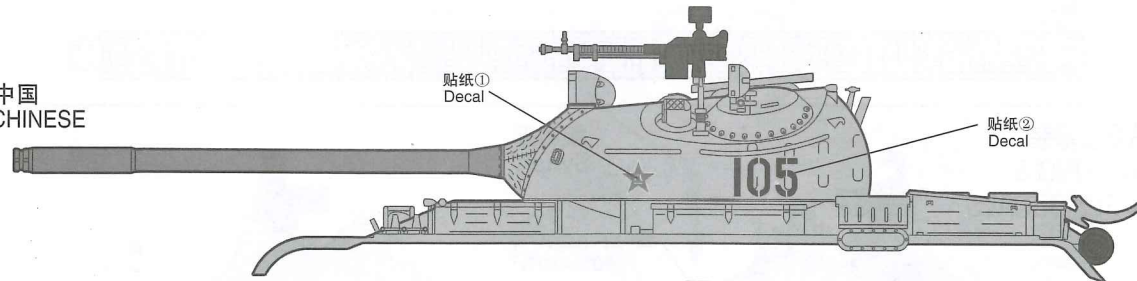
9



(北越) 第201装甲团
PAVN 201st Armored Regiment, Dong Ha, April 1972



中国
CHINESE



前东德
Former East Germany

