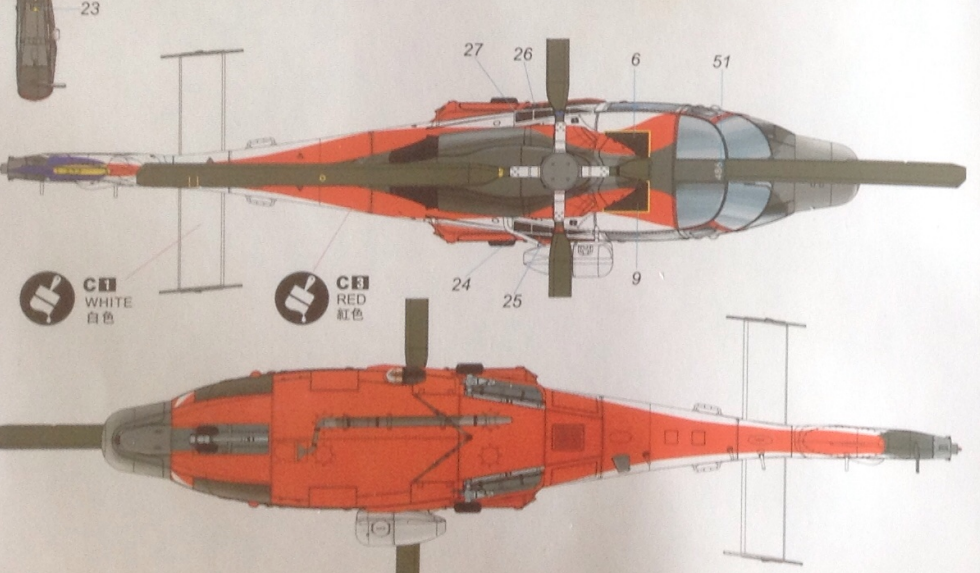
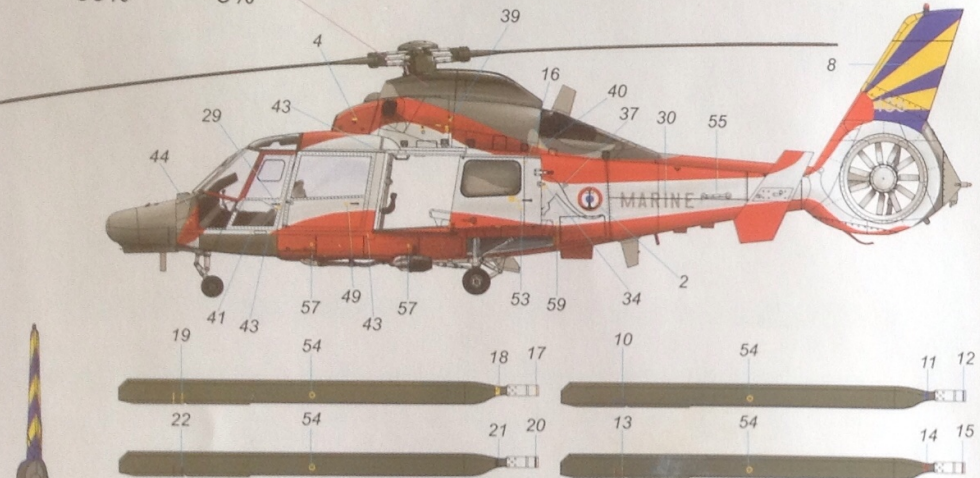
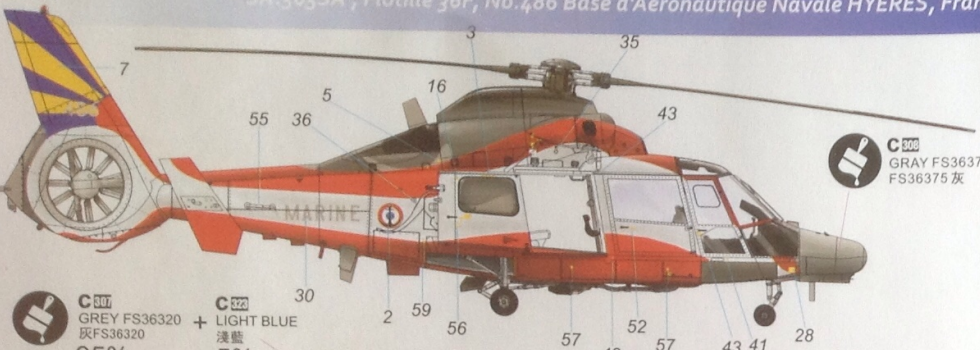


Painting & marking Guide

塗裝與水貼

SA.565SA, Flotille 36F, No.486 Base d'Aéronautique Navale HYÈRES, France



1:48



SA.365F/AS.565SA Dauphin II

1:48 SA.365F/AS.565SA 海豚直升机



Instruction

ITEM NO.:KH80108

Painting & marking Guide

塗裝與水貼

Flotille 36F, No.522 Base d'Aéronautique Navale HYÈRES, France



C35
GRAY FS36320
灰FS36320

C35
GRAY FS36320
灰FS36320
95%

C36
LIGHT BLUE
淺藍
5%

READ BEFORE ASSEMBLY

在組合您的模型之前，請充分閱讀本冊說明書。組合模型您需要如下物品（書另購）：模型膠水；一把模型鉗或一把用於將零件從框架上切下的模型筆刀。筆刀同樣可以用來修整零件的合模線。祝您製作愉快！

Before assembling your model kit, read through these instructions carefully. To assemble this kit, you will need Plastic glue (not include). A pair of side cutter or a sharp modelling knife is required for removing parts from the frame. Plastic mould lines can be removed with the modelling knife.



塗色
Painting



對側
Opposite



隨愛好選擇
Optional



鉗孔
Make Hole

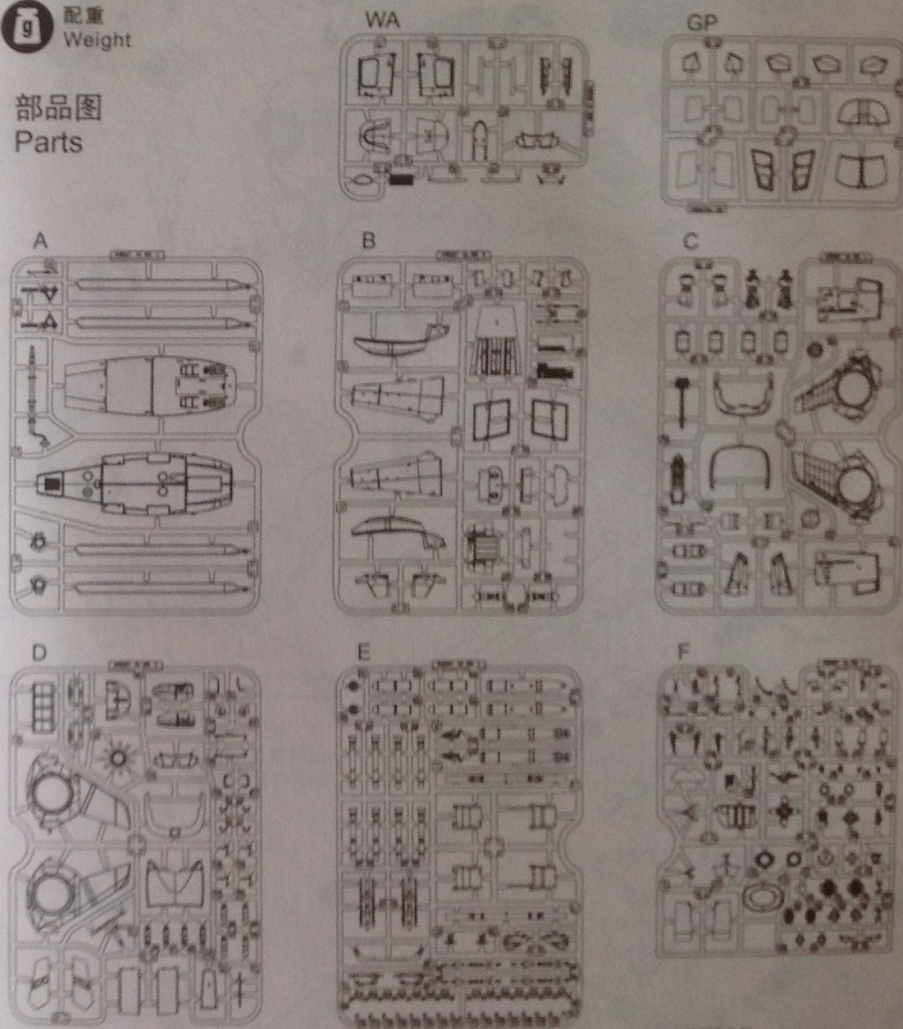


製作兩組
Make Two



配重
Weight

部品圖 Parts



Decal A 水貼紙A

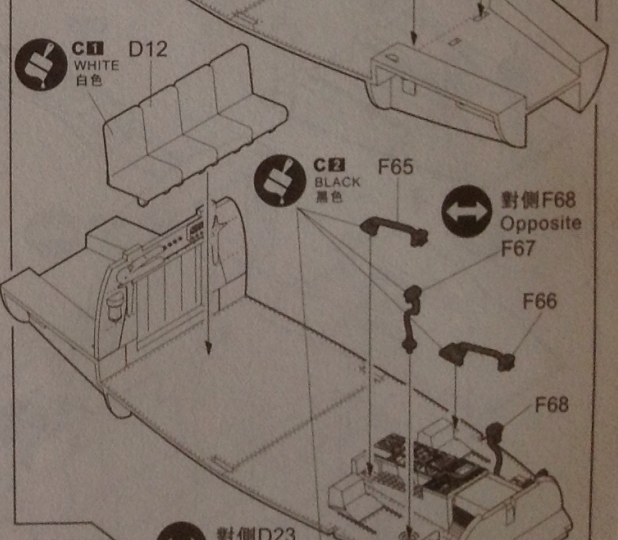
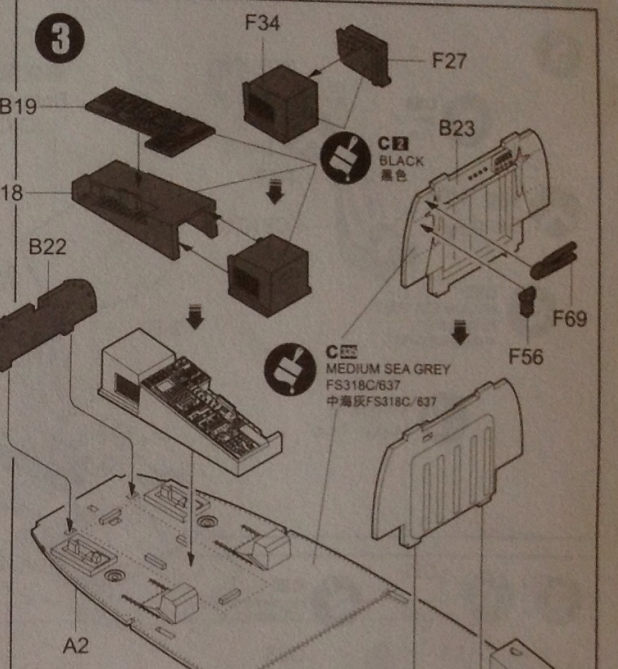
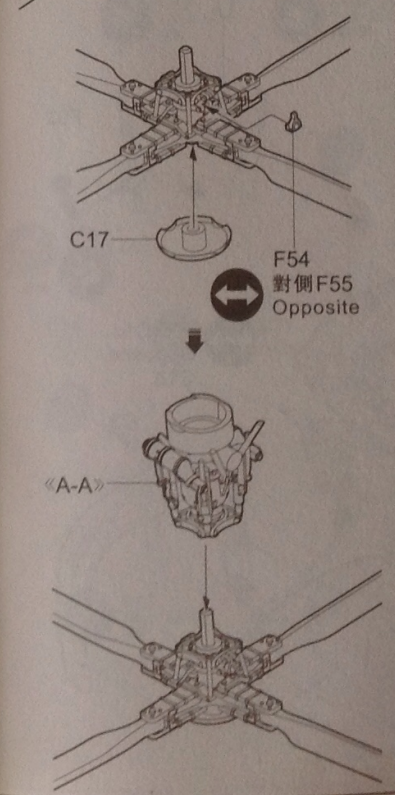
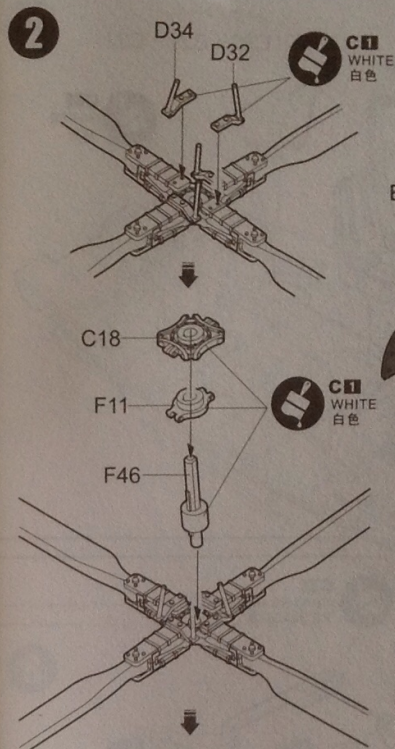
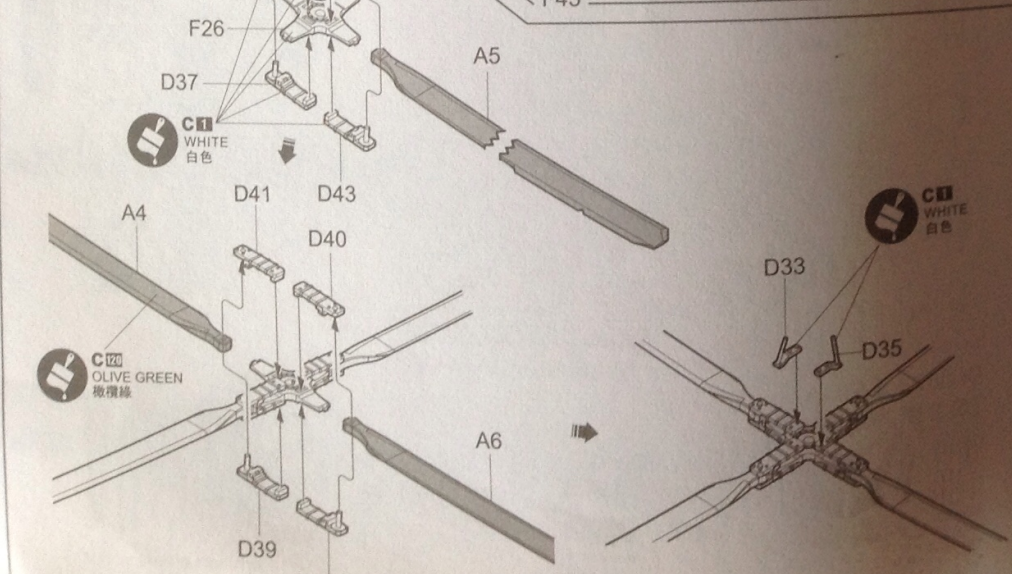
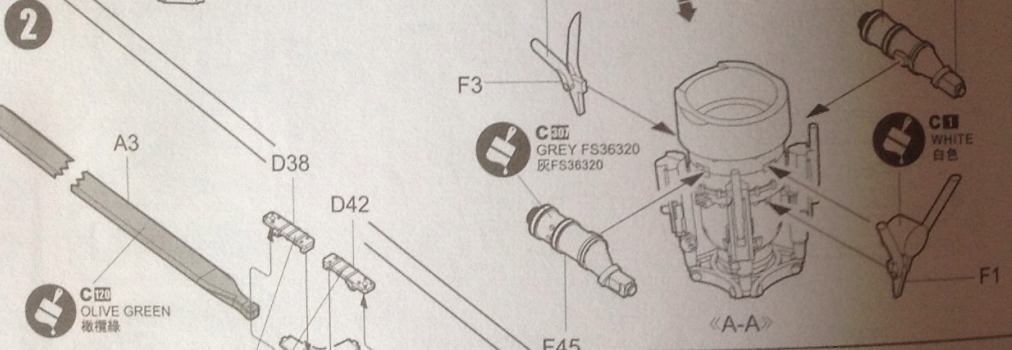
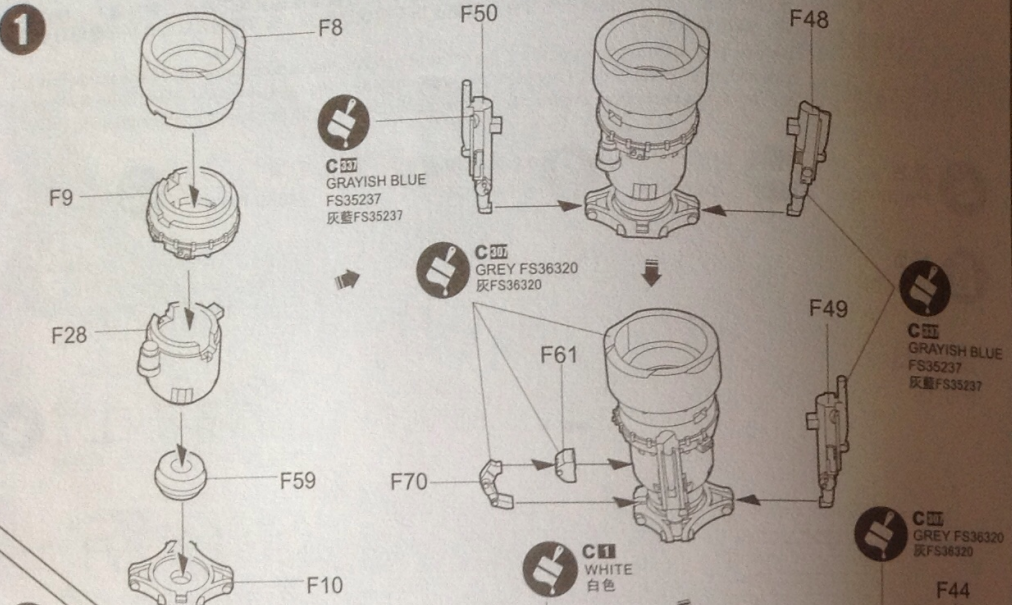


Decal B
水貼紙B

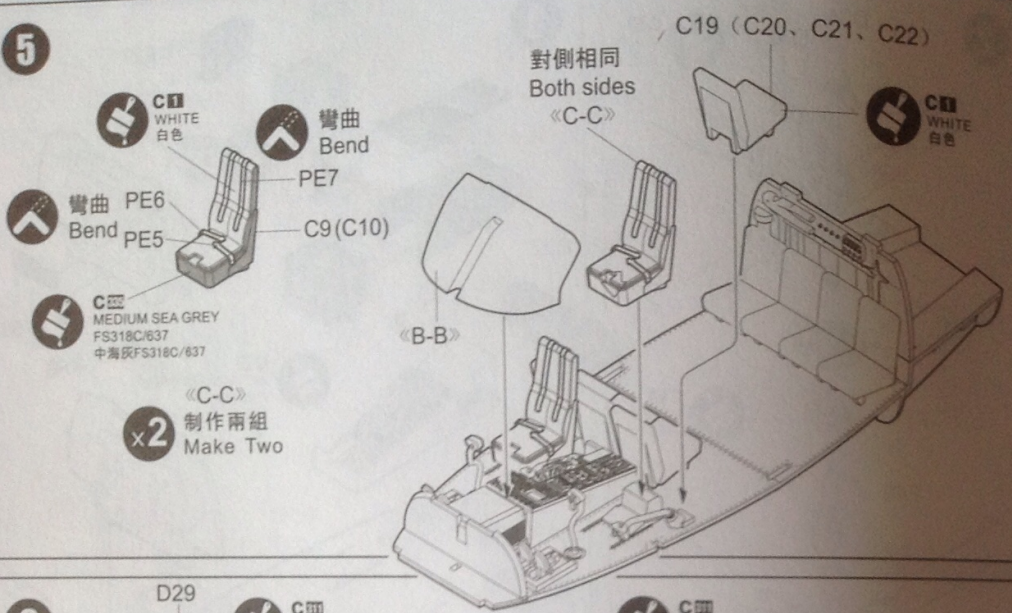


蝕刻片PE

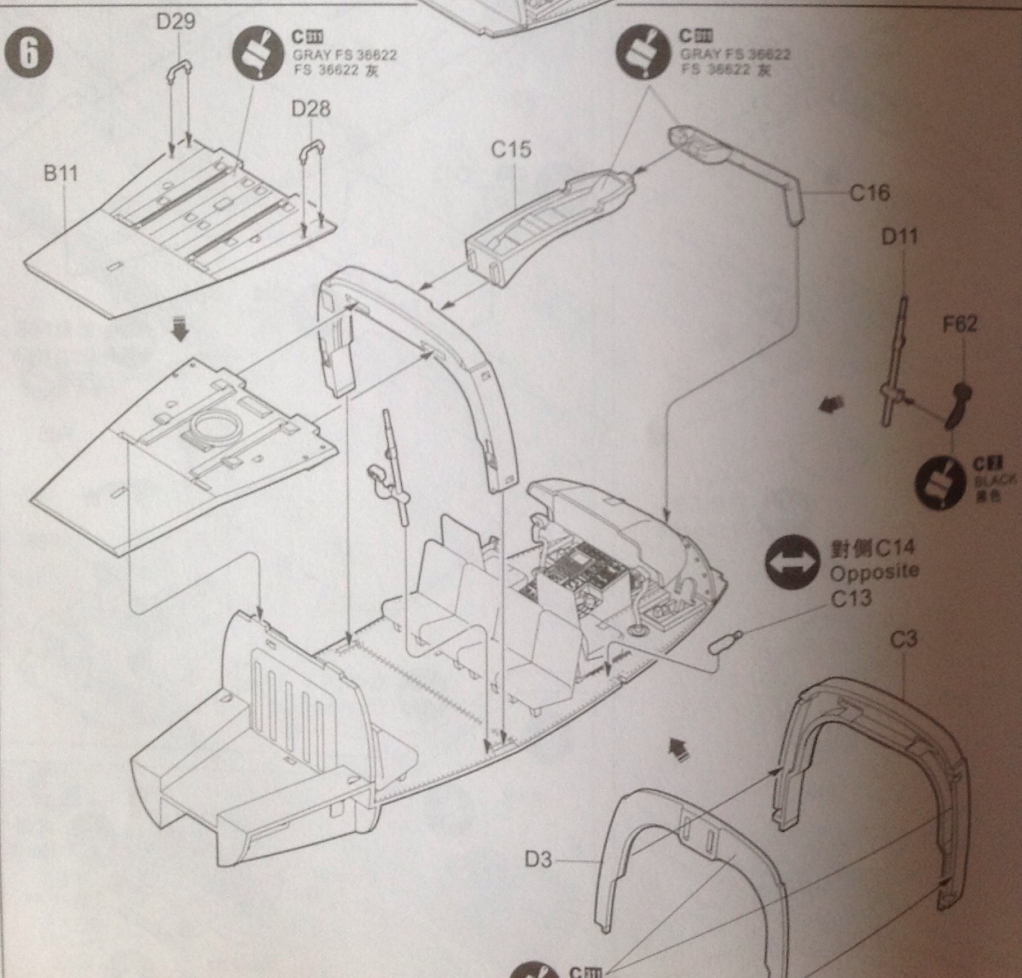




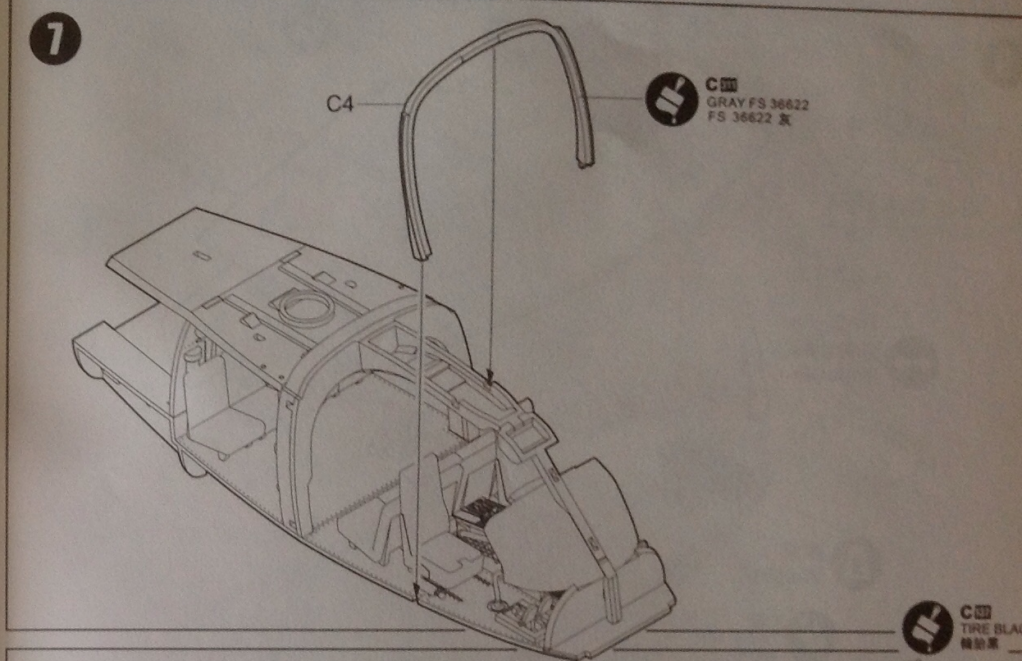
5



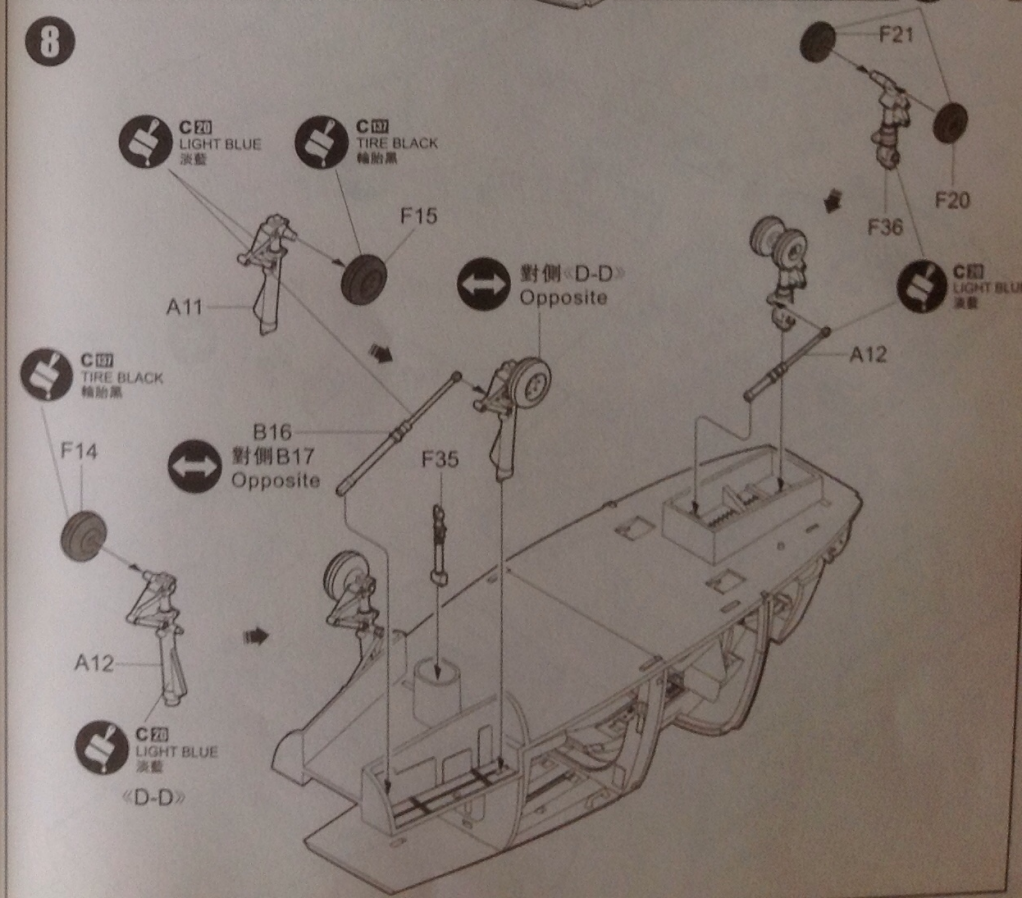
6



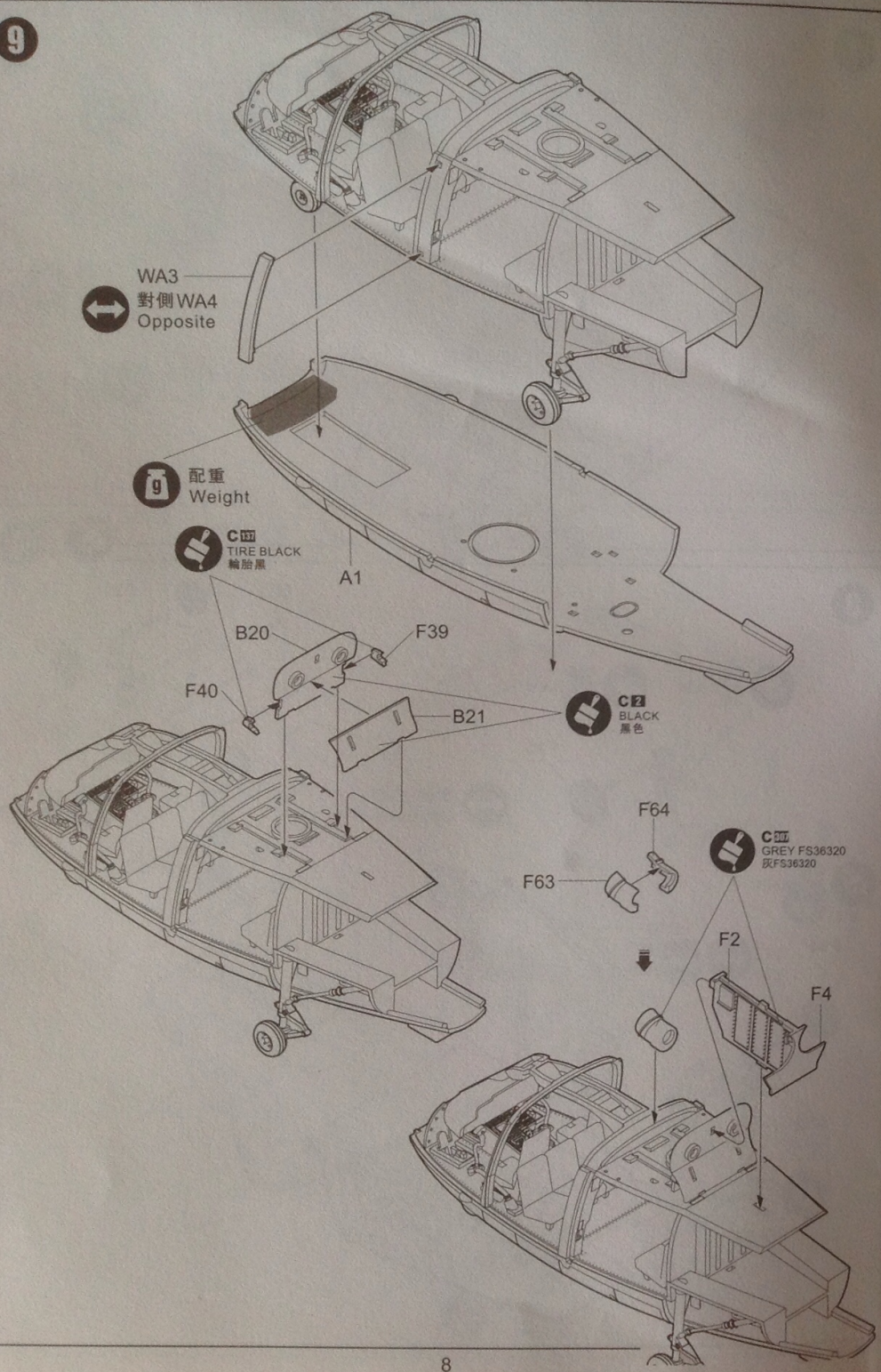
7



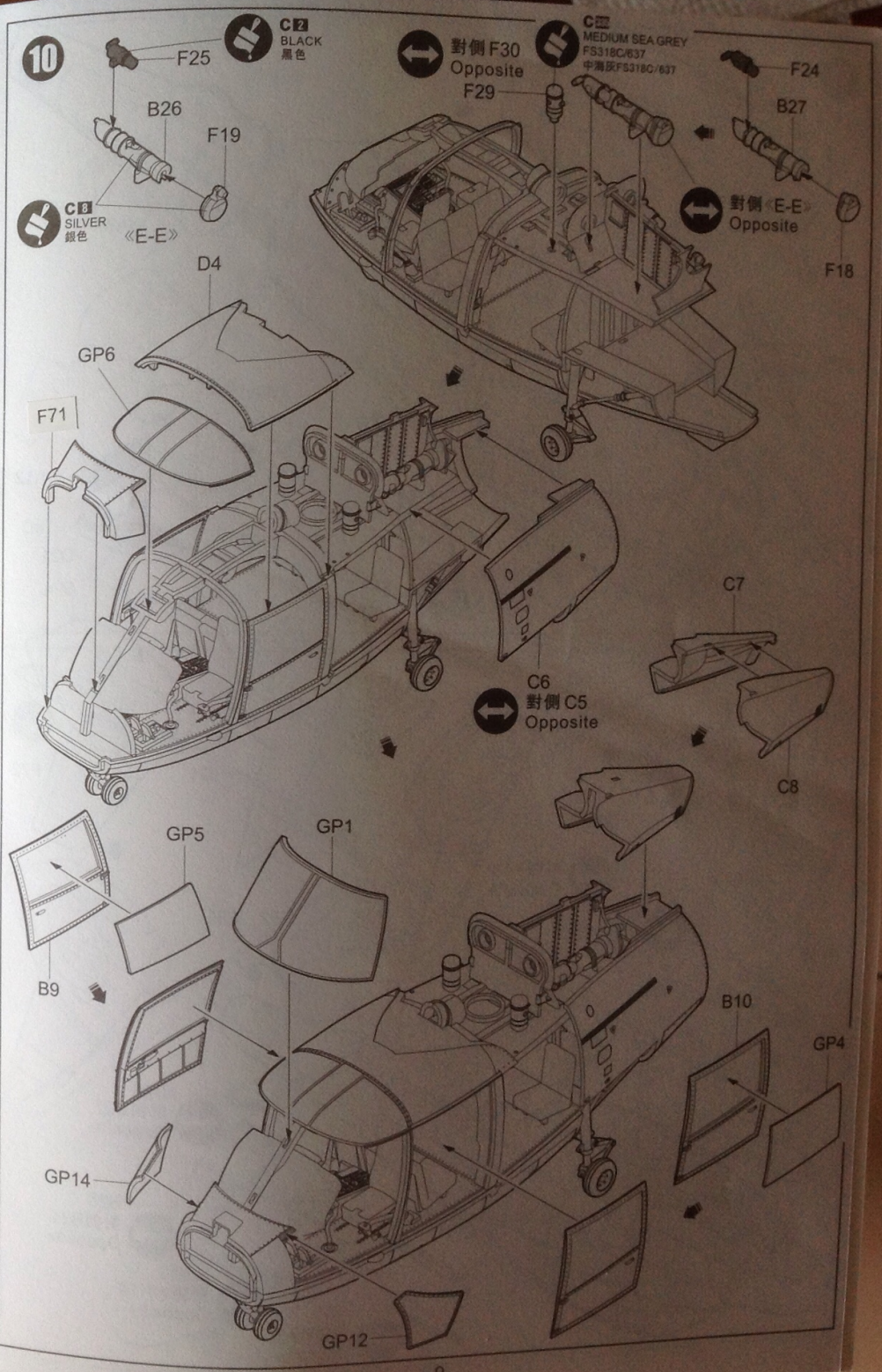
8

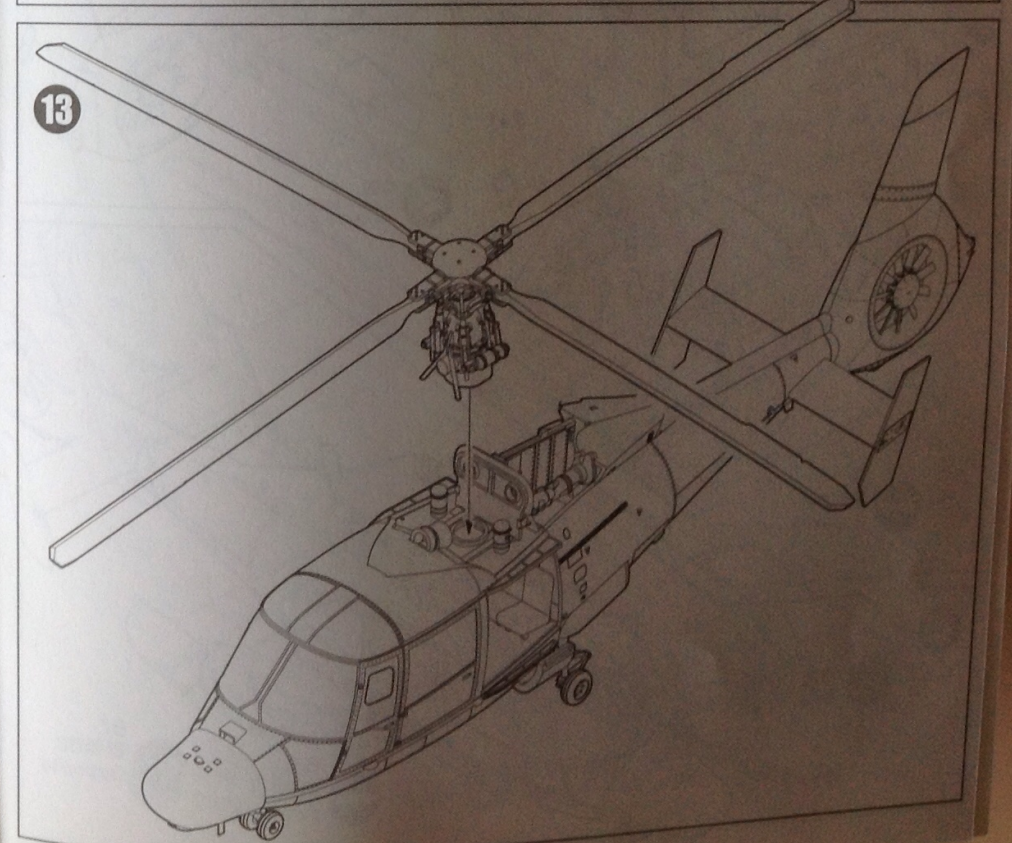
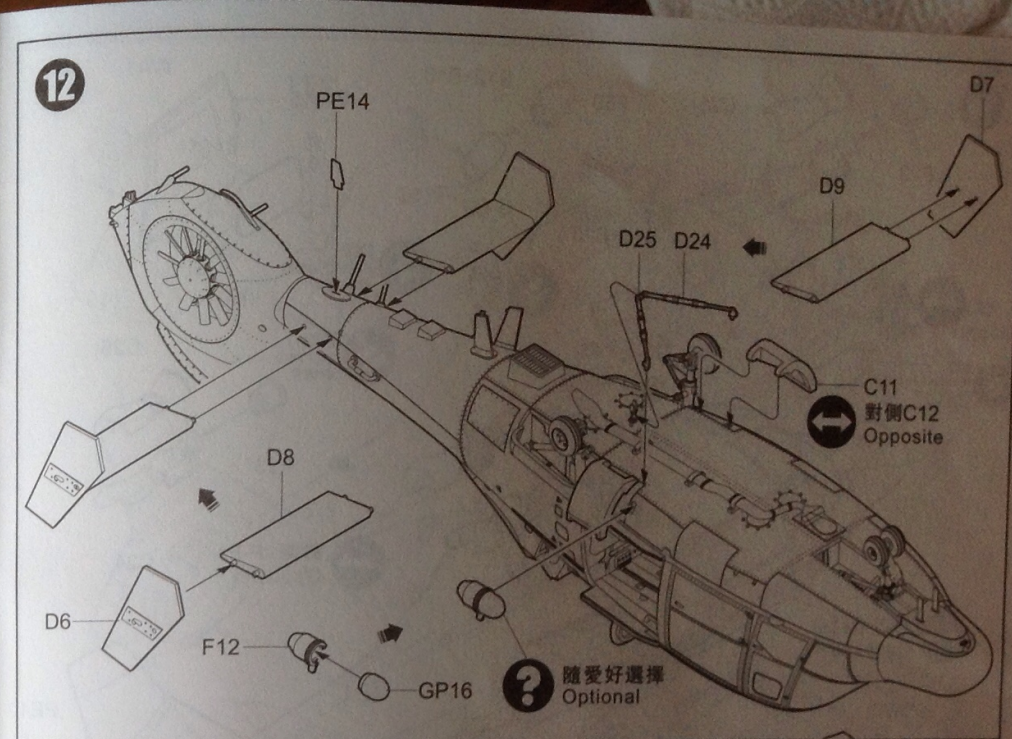
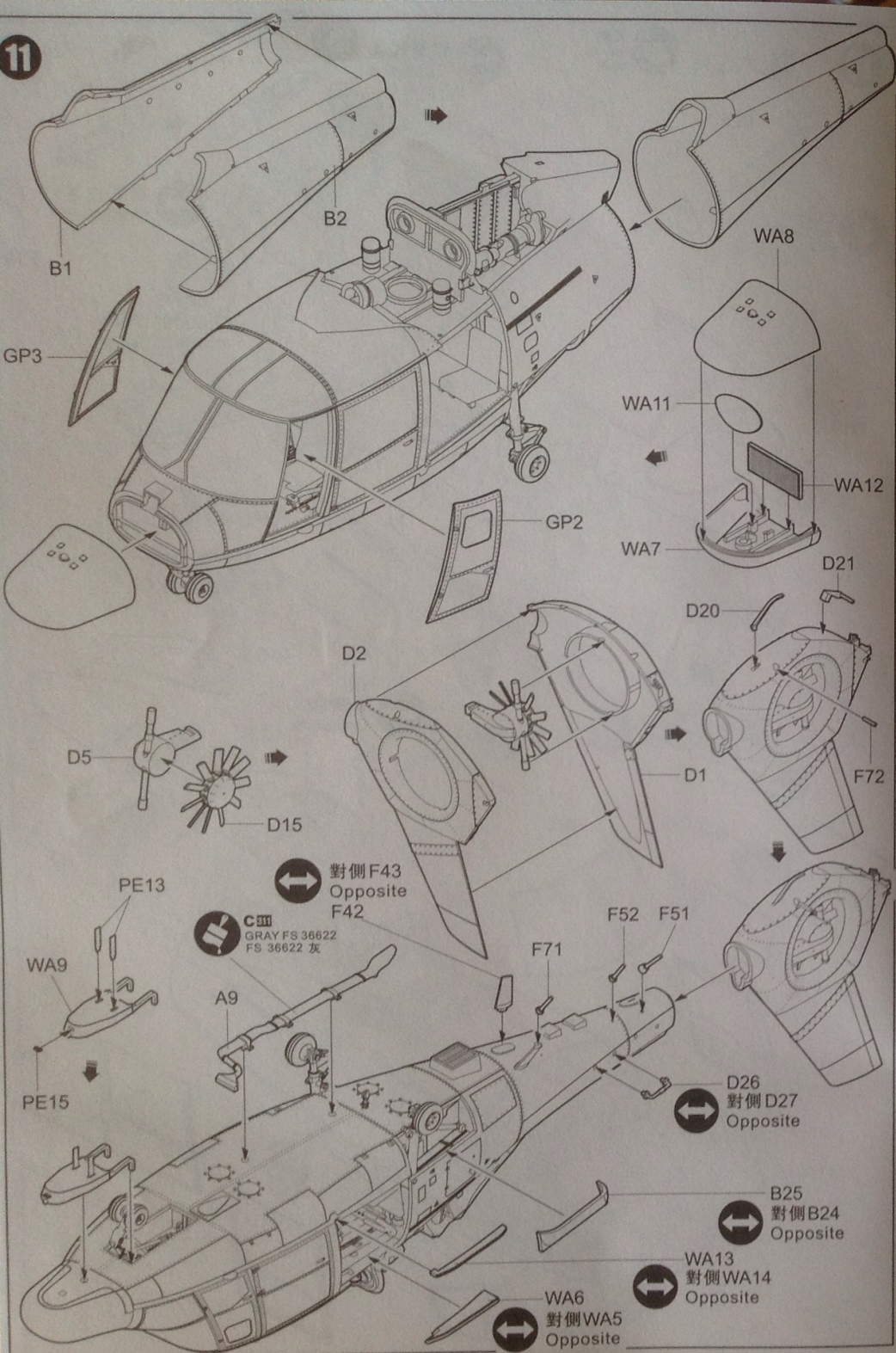


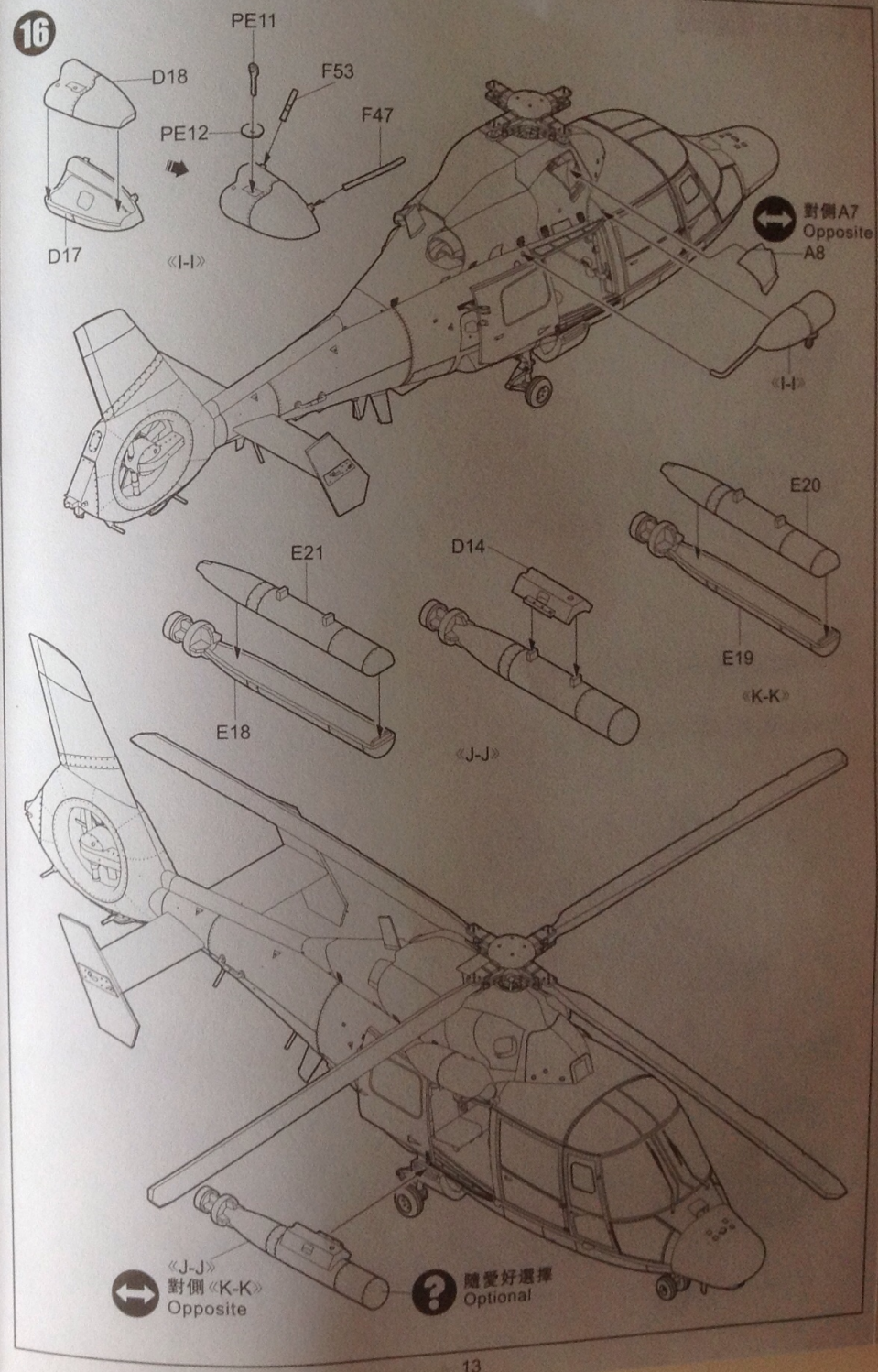
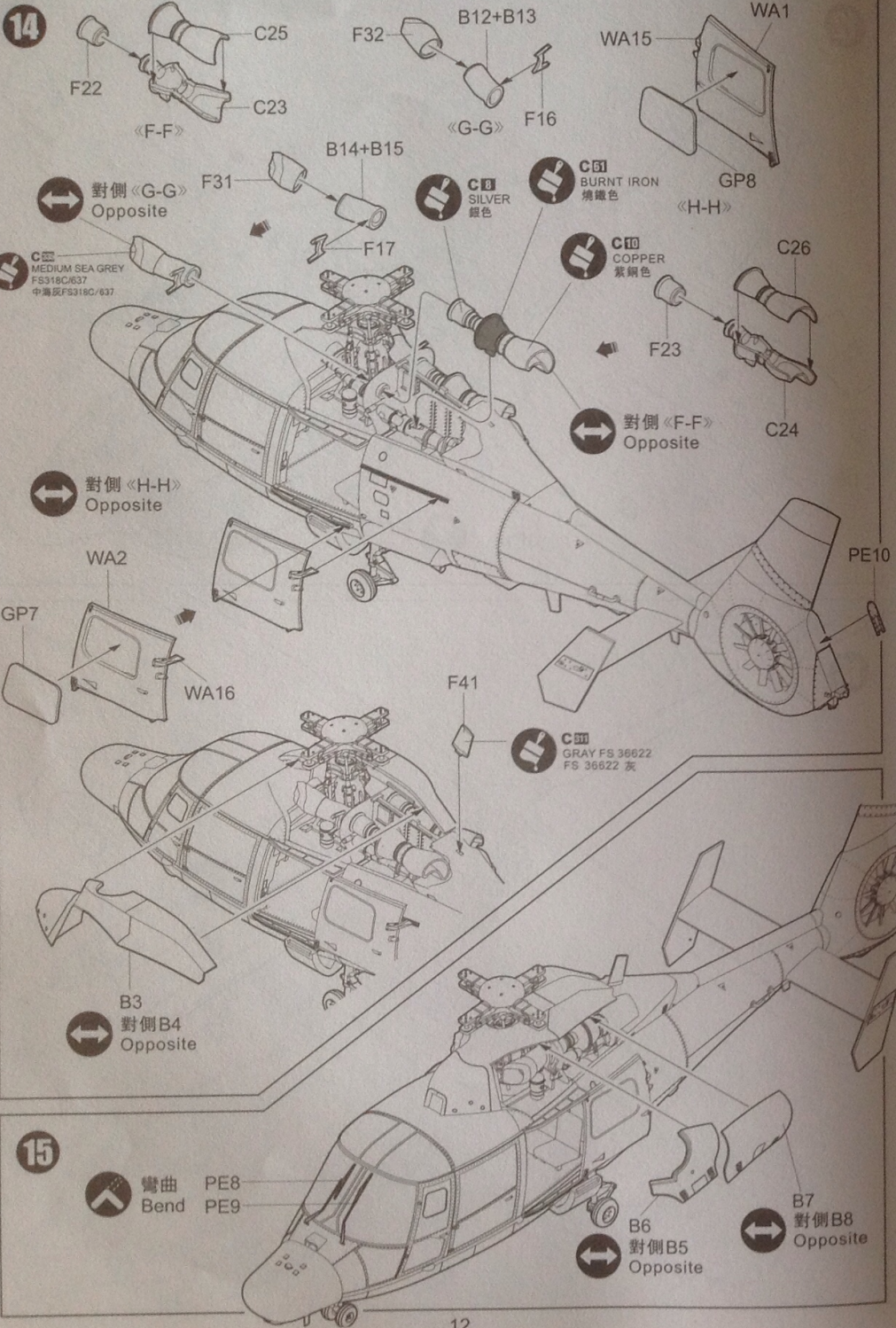
9

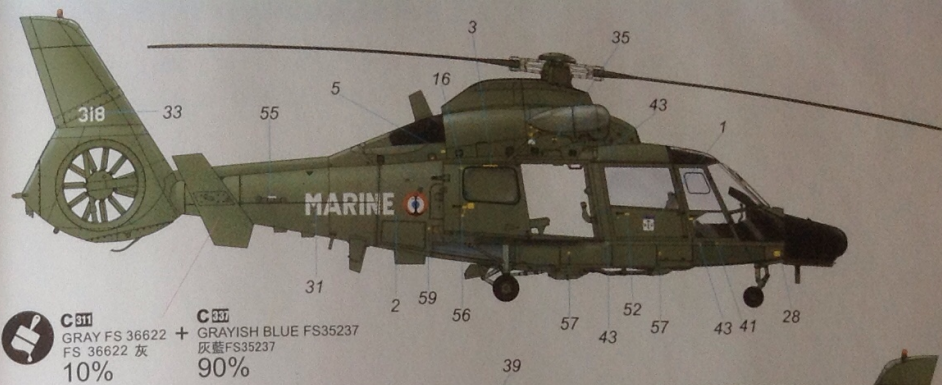


10





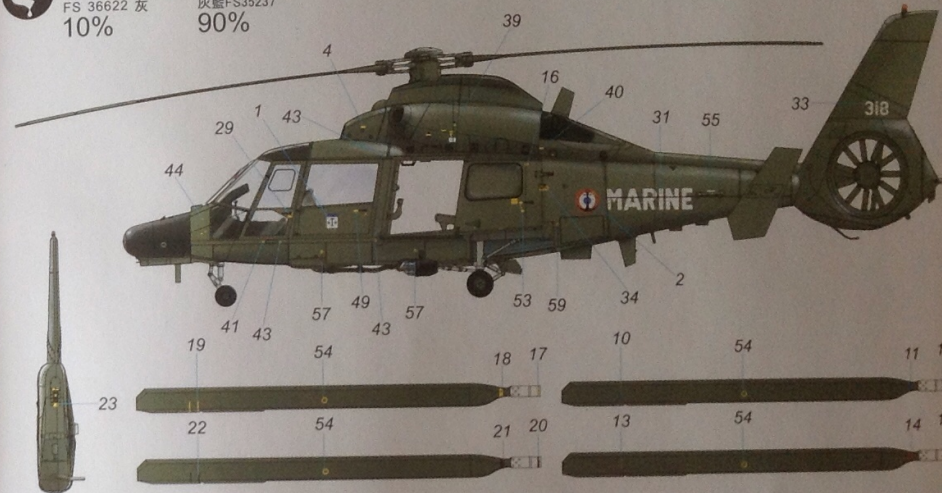




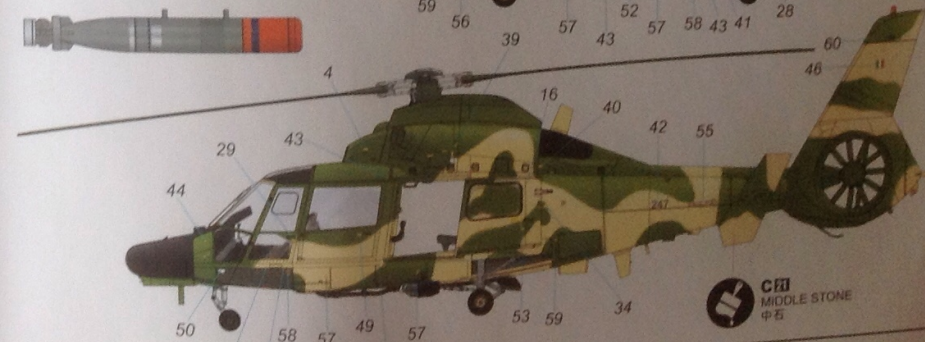
C311
GRAY FS 36622 +
FS 36622 灰
10%



C311
GRAYISH BLUE FS35237
灰藍FS35237
90%



C311
GREEN FS34102
綠FS34102



C311
MIDDLE STONE
中石